

J&G COUGHTRIE



SY-6 COMPACT OVAL FLUORESCENT BULKHEAD, CLEAR



J&G COUGHTRIE

Trusted by our discerning customers for over eight decades, our UK-made industrial lighting features simple, geometric forms with enduring style and robust construction. Built to last a lifetime, our products are made from the finest quality materials, with the highest spec finishes - quite simply spiffing.



Made in Britain since 1939.

TRUSTED, TIMELESS & ENDURING.

Founded in 1939, by a pair of Glaswegian brothers, our original industrial lighting can still be found, working reliably, across the UK. Robust, and sustainably made, we're proud to continue a rich legacy in lighting, spanning over eight decades.

J&G Coughtrie lighting is expertly engineered in the UK, using the finest materials, and skillful craftsmanship. This helps our customers leave a sustainable legacy, with products reimagined, and redefined, for a modern audience, all while preserving traditional techniques, and values (the old adage, 'they don't make 'em like they used to, definitely doesn't apply to us).

Our lights are the product of over 80 years of experience, with manufacturing processes and craftsmanship refined through multiple generations, grounded in traditional handcrafting methods.

We work with our customers on a wide variety of ventures, from lighting schemes for conservation and restoration projects, to tailored light fittings for hotels, homes, offices, and hospitality venues - both inside, and out. We've also worked on a film, set or two, and know a thing or two about creating the right mood for any scene.

1. Recycled
Aluminium

2. Freshly cast
SY-6 Casing



1.



2.

Our light casings are cast from solid aluminium, with each piece hand finished to remove rough edges, before being powder coated to keep it looking pristine, for longer. Our local Mastercasters have been making Coughtrie casings for decades, some still using original tools from the 1940s and 1950s.

**“TRADITIONAL DESIGN, ENDURING CRAFTSMANSHIP.
COMBINING OVER 80 YEARS OF EXPERIENCE
PRODUCING TIMELESS INDUSTRIAL LIGHTING.”**

Our glass diffusers are custom designed, and moulded in thick, robust glass, diffusing the light evenly, and gently - regardless of the intensity of the bulb inside. Made with care, our glass translates love into light of the finest possible quality. Each of our lights is made to order, with an industry leading product time that sees us combine quality with speed - a rare feat in any industry.

Our lights are rigorously tested by our team before being shipped, many of whom have been with us for over 40 years, with invaluable experience honed over decades.

Quality guaranteed, our lighting range is built to last a lifetime, with each product made to order, individually hand-assembled, and quality checked at our factory in Glasgow. Enduring quality, our products are protected by up-gradable and replaceable technologies combined with rust protected casings to stand the test of time.

J&G Coughtrie has been following sustainable manufacturing and design practices for 80 years - because we believe that sustainable design is simply good design. Made within only recycled, and recyclable materials, our lights are designed for easy disassembly, using mechanical fixings that can be taken apart, repaired, and upgraded, rather than glue. Our suppliers are also locally based, helping to reduce our carbon footprint.

SY-6 COMPACT OVAL FLUORESCENT BULKHEAD, CLEAR

Standard, Indoor-Outdoor Use, Clear

Recreated from the original 1950s engineering drawings, the SY-6 bulkhead is compact, cosy and corrosion resistant. Fit it anywhere to create a soft, romantic ambiance, from stately homes to homely front rooms.



3. SY-6 Compact
Oval Fluorescent
Bulkhead, Clear,
Black

4. SY-6 Compact
Oval Fluorescent
Bulkhead, Clear,
White

3.



SY-6 COMPACT OVAL FLUORESCENT BULKHEAD, CLEAR

1

3 POWER ACCESS PORTS

The SY-6 Bulkhead lighting range has power connection cable access at both rear, top, and bottom - choose the option that tickles your fancy.

2

MODULAR MOUNTING POINTS

End-lugs on the SY-6 range are designed to accommodate future clip-on accessories, extending the life of your lamp - that's a nod to sustainability, and style.

3

HAND PRESSED & BLOWN GLASS

With a thick, hand-blown glass diffuser that features decorative ribs, and a Coughtrie brand mark, this is one stylish range of light fittings that refuse to blend in with the rabble.

4

TIMELESS STYLING

The simple, oval shape of the SY-6 Bulkhead light fitting is elegant and timeless, yet fits with a range of different settings. One clever, and classy piece of glass.

5

CAST ALUMINIUM CASING

The corrosion resistant aluminium casing of the SY-6 Bulkhead light fitting has been cast by skilled craft workers in Glasgow. We've been doing it for 80 years, and we don't intend to stop any time soon!

6

PORCELAIN LAMP HOLDER

Your SY-6 can be supplied with a Bayonet Cap, or Edison Screw lamp holder. You can also fit it with Smart Bulb, to connect the lamp to your smart home control system for a magical remote light show.

5. SY-6 Compact
Oval Fluorescent
Bulkhead, Clear,
Industrial Aluminium



5.

FALL IN LOVE AT FIRST FIGHT

Our compact Bulkhead lights have a range of attractions that make them an adaptable choice for a range of settings, both indoors, and outdoors. What's not to love?



6.

6. SY-6 Compact
Oval Fluorescent
Bulkhead, Clear,
White

7. SY-6 Compact
Oval Fluorescent
Bulkhead, Clear,
Industrial Aluminium

8. SY-6 Compact
Oval Fluorescent
Bulkhead, Clear,
Glass Diffuser



7.

Adaptable Anywhere

The compact size, and flexible mounting points of the SY-6 allows them to be placed in both indoor, and outdoor settings, anywhere you want to create soft, mood lighting. Place them anywhere from around your bathroom mirror, to above an external archway. These beautiful bulkheads light up corridors, side passageways, and can even be mounted atop fence posts on driveways, creating a romantic mood while you're parking your Bentley.



8.

Glow Your Mind

The beautiful thick glass diffuser of each SY-6 bulkhead spreads a soft glow of light across any setting. Each light also comes with a ceramic lamp holder that can be fitted with a standard E27/B22 fluorescent bulb, or even a smart bulb, for a remote light show!

FINISHED TO YOUR FANCY



Gloss Grey



Black



Antique Bronze

Colour

The SY-6 can be finished with a number of different options, to suit your flights of fancy, from powder-coated paint in a range of colours, to an industrial aluminium finish which simply has a clear, protective lacquer applied to achieve that raw, manufactured industrial look, creating a unique and distinct finish each time. Each light can also be anodised with a weathered bronze

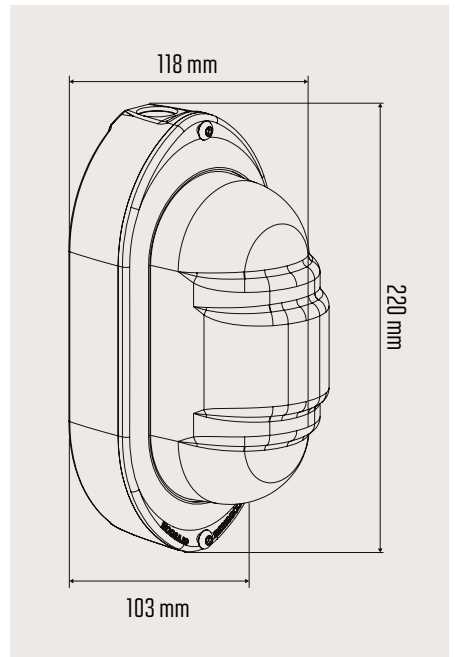
finish, for rustic, antique effect. The choice is endless. The choice is also yours. And with our bespoke finishing service, you'll also be able to specify a unique RAL colour, for powder coating.



White



Industrial Aluminium



Any RAL Colour of Choice

Customise

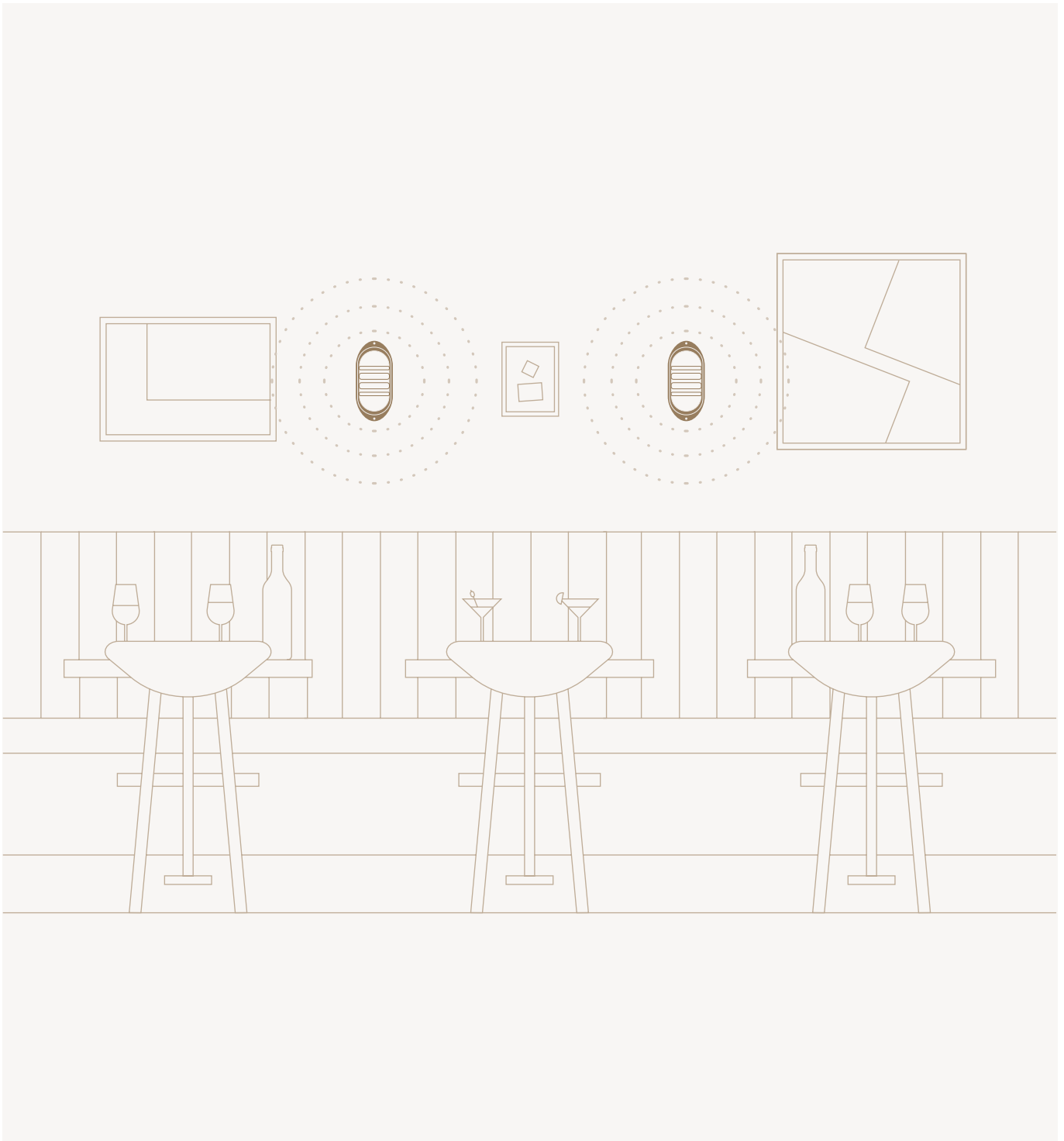
Create your ideal SY-6 specification, with Edison Screw or Bayonet Cap lamp holder.

SY-6 COMPACT OVAL FLUORESCENT BULKHEAD, CLEAR



ENTRANCE ENVY

Turn heads and hearts with a pair of SY-6 Bulkheads mounted on either side of your front door.



BARILLIANT BULKHEADS

Mount SY-6 Bulkheads on the walls of your bottle bar to bring sought after industrial style to the room.

80 YEARS OF SUSTAINABILITY



BUILT TO LAST.

Our lights are tough cookies, built to last and suitable for even the most extreme applications (or even a Hollywood set!)



LOCAL SUPPLIERS.

We have a long-standing policy of using suppliers and manufacturing within a 40 miles radius, keeping it local is keeping it sustainable.



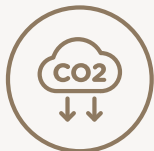
DESIGNED TO BE REPAIRED.

Our lights are designed to disassemble easily for repair or upgrade in the future as technology continues to improve.



SUSTAINABLE PACKAGING.

Each light is lovingly wrapped in recycled paper padding shipped in recycled cardboard packaging.



LOW CARBON MATERIALS.

Where possible, we make our parts from low carbon materials that are recycled or can be recycled at end of life.



LOW ENERGY CONSUMPTION.

As lighting technology evolves, so do our lights. Now, we use low energy LED bulbs to minimise energy consumption.

PRODUCT INFORMATION

Weight	1000 grams
IP Rating	IP65: Suitable for inside or outside use in wet weather environments. IP rated as “dust tight” and protected against water projected from a nozzle.
Product Dimensions	Length: 220mm; Width: 103mm; Depth: 118mm
Materials	Cast Aluminium Casing; Pressed And Blown Glass Diffuser; Sheet Aluminium Gear Tray; TPU Gasket; Silicone Gasket; Steel Screws; CNC Sheet Steel Flanges; Porcelain Lamp Holder; Powder Coated Paint / Aluminium Anodising Finishing

ELECTRICAL CHARACTERISTICS

Power	Depends on bulb
Voltage	230V
Current	Depends on bulb

LUMINAIRE CHARACTERISTICS

Bulb Type	Edison Screw (E27) / Bayonet Cap (B22)
-----------	--

**BE INSPIRED FOR YOUR NEXT PROJECT.
VISIT OUR SOCIAL MEDIA CHANNELS!**



@JG.COUGHTRIE

SY-6 COMPACT OVAL FLUORESCENT BULKHEAD, CLEAR

VARIATION	COLOUR	PRODUCT CODE
BAYONET CAP	Black	SY6/B/CL/BC
	White	SY6/W/CL/BC
	Antique Bronze	SY6/BRONZE/CL/BC
	Industrial Aluminium	SY6/S/CL/BC
	Weathered Bronze	SY6/WBRONZE/CL/BC
	Gloss Grey	SY6/G/CL/BC
EDISON SCREW	Black	SY6/B/CL/ES
	White	SY6/W/CL/ES
	Antique Bronze	SY6/BRONZE/CL/ES
	Industrial Aluminium	SY6/S/CL/ES
	Weathered Bronze	SY6/WBRONZE/CL/ES
	Gloss Grey	SY6/G/CL/ES



SY-6 Compact Oval
Fluorescent Bulkhead,
Clear, Gloss Grey



+44 (0) 141 882 3262



J&G COUGHTRIE
69-71 MONTROSE AVENUE
HILLINGTON, GLASGOW, G52 4LA



sales@jgcoughtrie.com