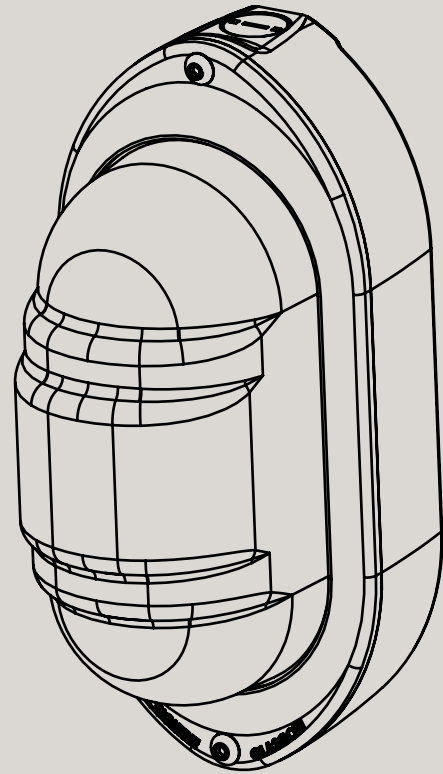


## FITTING INSTRUCTIONS

### SY-6 COMPACT OVAL LED BULKHEAD

Standard, Indoor-Outdoor Use

Featuring energy-efficient bulbs, our SY-6 LED Bulkhead casts a brighter, whiter more modern glow than the 1950s original. Compact, corrosion-resistant and dependable it's ideal for outdoor use where visibility is of the utmost importance.



## WARNING

- **Installation should be carried out in accordance with current wiring & building regulations and by a competent person only**
- Rated IP 65
- IP rating may be reduced if installed incorrectly or with unsuitable parts
- Earthed - only compatible with 3 core cable
- Shut of power before installation, adjusting or handling
- Ensure cables are secured in correct terminals
- Consider cord anchorage - terminals must be relieved from strain and twisting
- Do not exceed wattage specified on product label
- Light bulbs with higher thermal output may impair safety
- Bathroom installation by authorised contractor only
- Always use fixings appropriate for your mounting surface

## TOOLS REQUIRED

- Fixing & fitting screws
- Wall plugs
- 3mm Philips head screwdriver
- 3mm Allen Key
- 8mm Flathead screwdriver

## HANDLING & CLEANING

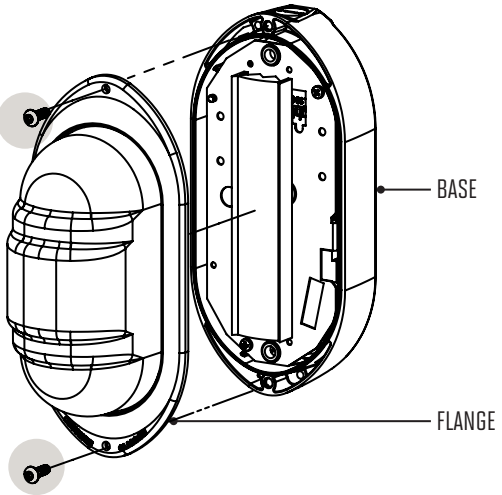
### **WARNING: Shut off power**

- Wipe gently with a dry, soft, cotton cloth
- Cleaning products, scratching, abrasion, damp, oils, liquids etc may have a detrimental effect

# SY-6 COMPACT OVAL LED BULKHEAD

## FITTING INSTRUCTIONS

1

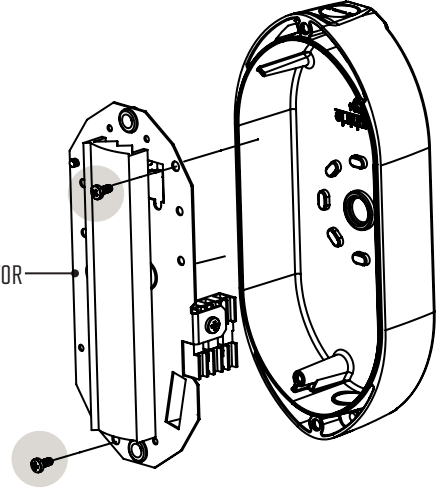


BASE

FLANGE

Unscrew (2) Hex Screws with 3mm Allen Key and remove flange from the base

2



REFLECTOR

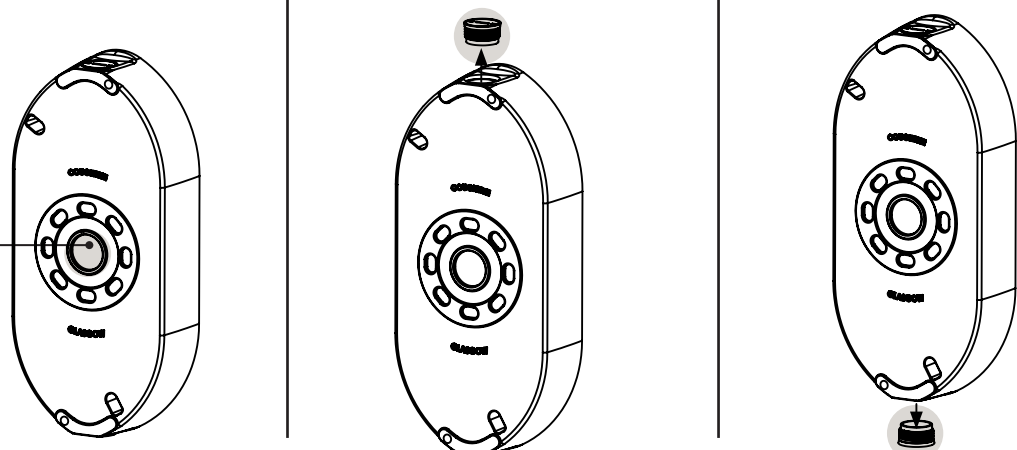
Unscrew (2) screws from reflector with 3mm Philips Screwdriver and remove reflector.

3

REAR ACCESS

TOP ACCESS

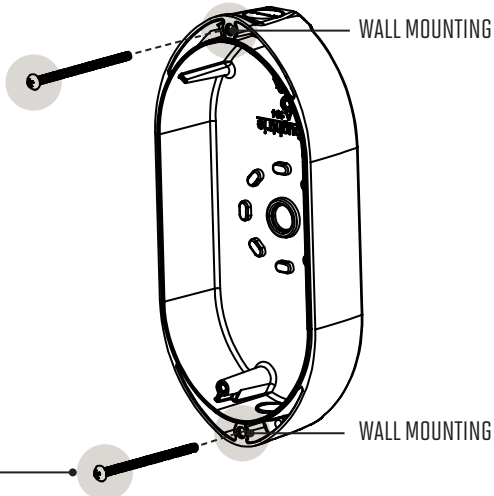
BOTTOM ACCESS



M20 KNOCK OUT

Make access for Power Cable.  
REAR ACCESS: knock out the M20 circle to form a hole | TOP/ BOTTOM ACCESS: Remove E.8830 plug.

4



WALL MOUNTING

WOOD SCREW

WALL MOUNTING

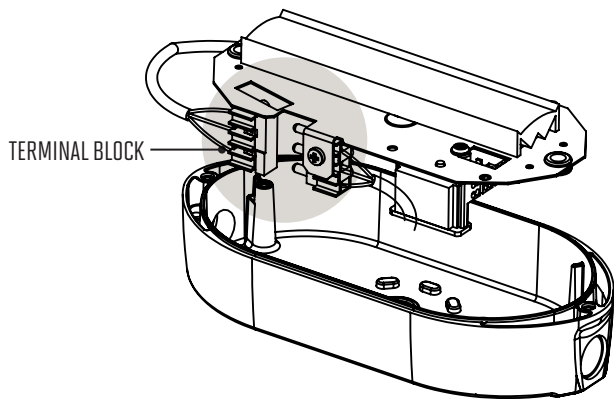
THROUGH HOLE

If using Rear Access knock out, feed power cord into the case before screwing into wall

# SY-6 COMPACT OVAL LED BULKHEAD

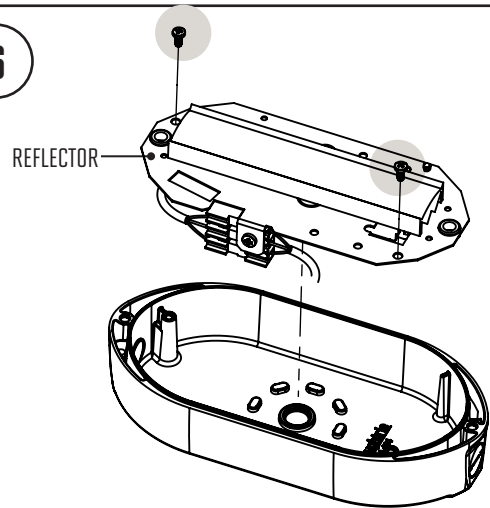
## FITTING INSTRUCTIONS

5



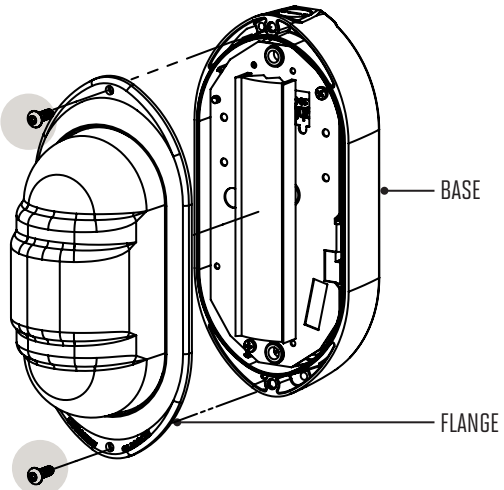
Attach power cord to terminal block. Match wires: brown to brown / blue to blue / earth to earth.

6



Screw reflector securely back into the case.

7



Screw flange back onto the case, and your SY-6 is ready.

# TECHNICAL INFORMATION

## PRODUCT INFORMATION

<b>Product Materials</b>	Cast Aluminium Casing; Pressed And Blown Glass Diffuser; Sheet Aluminium Gear Tray; TPU Gasket; Silicone Gasket; Steel Screws; CNC Sheet Steel Flanges; LED Bulbs & Driver; Powder Coated Paint / Aluminium Anodising Finishing.
<b>Product Dimensions</b>	Length: 220mm; Width: 103mm; Depth: 118mm.
<b>Product Weight</b>	1000 grams.
<b>Certification</b>	CE. UKCA. BS EN60598-2-1.
<b>IP Rating</b>	IP65: Suitable for inside or outside use in wet weather environments. IP rated as “dust tight” and protected against water projected from a nozzle.

## LUMINAIRE CHARACTERISTICS

<b>LEDS</b>	Variable
<b>Driver</b>	Constant Current
<b>Working Temperature</b>	-25C to 50C
<b>Emergency Working Temperature</b>	-5C to 50C
<b>System Lumens</b>	325lm
<b>Efficacy</b>	81.25lm/W
<b>CRI</b>	>80
<b>CCT</b>	4000K
<b>Lifetime</b>	50,000 hours

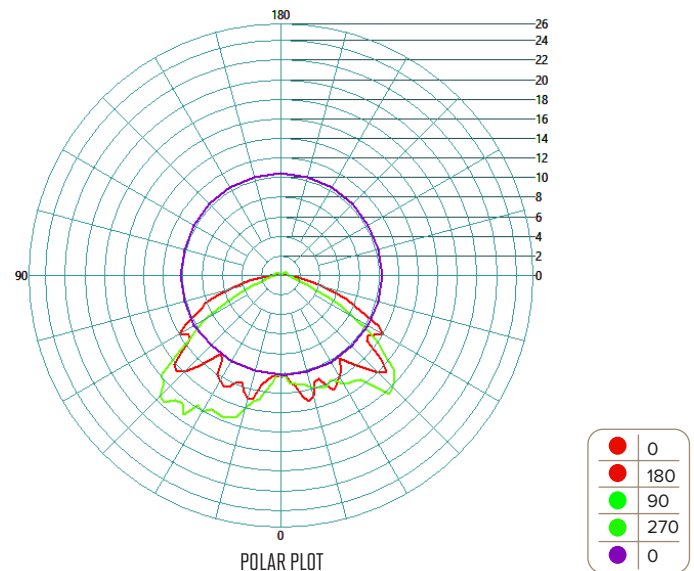
## ELECTRICAL CHARACTERISTICS

<b>Power</b>	4W
<b>Voltage</b>	230V
<b>Current</b>	0.017A

## INSTRUCTIONS FOR THE FOLLOWING PRODUCTS

	STANDARD	PRESENCE DETECTION	BATTERY BACK UP
<b>Black</b>	SY6-4WLED/B/CL	SY6-4WLED+MWD(MS.021)/B/CL	SY6-4WLED+EMG(LiFePO4)/B/CL
<b>White</b>	SY6-4WLED/W/CL	SY6-4WLED+MWD(MS.021)/W/CL	SY6-4WLED+EMG(LiFePO4)/W/CL
<b>Antique Bronze</b>	SY6-4WLED/BRONZE/CL	SY6-4WLED+MWD(MS.021)/BRONZE/CL	SY6-4WLED+EMG(LiFePO4)/BRONZE/CL
<b>Natural Silver</b>	SY6-4WLED/S/CL	SY6-4WLED+MWD(MS.021)/S/CL	SY6-4WLED+EMG(LiFePO4)/S/CL
<b>Weathered Bronze</b>	SY6-4WLED/WBRONZE/CL	SY6-4WLED+MWD(MS.021)/WBRONZE/CL	SY6-4WLED+EMG(LiFePO4)/WBRONZE/CL

## PHOTOMETRIC DATA



PLACE AN ORDER

[JGCOUGHTRIE.COM](http://JGCOUGHTRIE.COM)

GIVE US A CALL

+44 (0) 141 882 3262  
INFO@COUGHTRIE.COM

DROP BY

J&G COUGHTRIE  
69-71 MONTROSE AVENUE  
HILLINGTON, GLASGOW, G52 4LA