

**J&G
COUGHTRIE**



PW-15 SWAN NECK CORNER LIGHT, CLEAR

J&G COUGHTRIE

Trusted by our discerning customers for over eight decades, our UK-made industrial lighting features simple, geometric forms with enduring style and robust construction. Built to last a lifetime, our products are made from the finest quality materials, with the highest spec finishes - quite simply spiffing.



Made in Britain since 1939.

TRUSTED, TIMELESS & ENDURING.

Founded in 1939, by a pair of Glaswegian brothers, our original industrial lighting can still be found, working reliably, across the UK. Robust, and sustainably made, we're proud to continue a rich legacy in lighting, spanning over eight decades.

J&G Coughtrie lighting is expertly engineered in the UK, using the finest materials, and skillful craftsmanship. This helps our customers leave a sustainable legacy, with products reimagined, and redefined, for a modern audience, all while preserving traditional techniques, and values (the old adage, 'they don't make 'em like they used to, definitely doesn't apply to us).

Our lights are the product of over 80 years of experience, with manufacturing processes and craftsmanship refined through multiple generations, grounded in traditional handcrafting methods.

We work with our customers on a wide variety of ventures, from lighting schemes for conservation and restoration projects, to tailored light fittings for hotels, homes, offices, and hospitality venues - both inside, and out. We've also worked on a film, set or two, and know a thing or two about creating the right mood for any scene.

1. Recycled
Aluminium

2. Freshly cast
SY-6 Casing



1.



2.

Our light casings are cast from solid aluminium, with each piece hand finished to remove rough edges, before being powder coated to keep it looking pristine, for longer. Our local Mastercasters have been making Coughtrie casings for decades, some still using original tools from the 1940s and 1950s.

**“TRADITIONAL DESIGN, ENDURING CRAFTSMANSHIP.
COMBINING OVER 80 YEARS OF EXPERIENCE
PRODUCING TIMELESS INDUSTRIAL LIGHTING.”**

Our glass diffusers are custom designed, and moulded in thick, robust glass, diffusing the light evenly, and gently - regardless of the intensity of the bulb inside. Made with care, our glass translates love into light of the finest possible quality. Each of our lights is made to order, with an industry leading product time that sees us combine quality with speed - a rare feat in any industry.

Our lights are rigorously tested by our team before being shipped, many of whom have been with us for over 40 years, with invaluable experience honed over decades.

Quality guaranteed, our lighting range is built to last a lifetime, with each product made to order, individually hand-assembled, and quality checked at our factory in Glasgow. Enduring quality, our products are protected by up-gradable and replaceable technologies combined with rust protected casings to stand the test of time.

J&G Coughtrie has been following sustainable manufacturing and design practices for 80 years - because we believe that sustainable design is simply good design. Made within only recycled, and recyclable materials, our lights are designed for easy disassembly, using mechanical fixings that can be taken apart, repaired, and upgraded, rather than glue. Our suppliers are also locally based, helping to reduce our carbon footprint.

PW-15 SWAN NECK CORNER LIGHT, CLEAR

Standard, Indoor-Outdoor

There are no bad angles with the PW-15 Globe Corner Light. Refined and extra-large, its silhouette is instantly recognisable. First launched in the 1960s it has been keeping the corners of distinguished buildings lit for over half a century.



3. PW-15 Swan Neck
Corner Light, Clear,
Industrial Aluminium

4. PW-15 Swan Neck
Corner Light, Clear,
White

3.



PW-15 SWAN NECK CORNER LIGHT, CLEAR

1

SWEEPING SWAN NECK

The hand bent S shaped bracket elegantly directs the light away from the wall.

2

CORNER WALL BRACKET

Our cast aluminium corner bracket grips to the corner of buildings with 3 separate fixing points anchoring the PW-15, whatever the British weather throws at it.

3

CURVED CASTING

The gentle curve of the cast casing enables the light to fit flexibly in any environment.

4

PORCELAIN LAMP HOLDER

Your PW-15 can be supplied with a Bayonet Cap or Edison Screw lamp holder to fit an E27 or B22 bulb.

5

POLYCARBONATE DIFFUSER

The fine detailing on the inside of the polycarbonate diffuser helps spread light evenly below.

5. PW-15 Swan Neck
Corner Light, Clear,
Antique Bronze



FALL IN LOVE AT FIRST LIGHT

Super-sized, with a silky-smooth silhouette, see why our clear J&G Coughtrie PW-15 Swan Neck Globe Corner Light, is a great allrounder, all round corners.



6.

6. PW-15 Swan Neck
Corner Light, Clear,
Industrial Aluminium

7. PW-15 Swan Neck
Corner Light, Diffuser
Detail

8. PW-15 Swan Neck
Corner Light, Clear,
Antique Bronze



7.

Globally Rounded

Mounted off a sweeping swan neck - the large, curved, clear polycarbonate globe diffuser delivers a wide spread of light round corners – accentuating their form, or providing safe passage.



8.

Smooth and Silhouetted

Simple and gently curved the refined silhouette of the PW-15 has made it a favourite when high visual impact is required. Due to its classic nature, it can equally be paired with traditional heritage buildings or stripped back modern buildings.

FINISHED TO YOUR FANCY



Gloss Grey



Black



Antique Bronze

Colour

The PW-15 can be finished with several different options, to suit your flights of fancy, from powder-coated paint in a range of colours, to an industrial aluminium finish which simply has a clear, protective lacquer applied to achieve that raw, manufactured industrial look, creating an unique

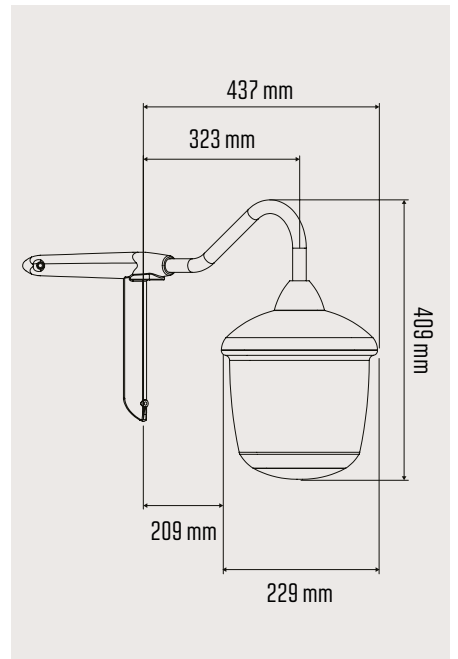
and distinct finish each time. With our bespoke finishing service, you'll also be able to specify a unique RAL colour, for any powder coating.



White



Industrial Aluminium



Any RAL Colour of Choice

Customise

The PW collection is incredibly flexible. Standard mounts allow the light to be wall or corner mounted. Alternatively give our chaps and chapesses a bell to create a custom bracket for mounting or hanging as a pendant.

PW-15 SWAN NECK CORNER LIGHT, CLEAR



GORGEOUS GARAGES

Show off your garage or outbuildings' best angles, with a PW-15 on each corner.



STUNNING STREETCORNERS

Make your streetcorner desired, and your Clear PW-15 the envy of all your neighbours.

80 YEARS OF SUSTAINABILITY



BUILT TO LAST.

Our lights are tough cookies, built to last and suitable for even the most extreme applications (or even a Hollywood set!)



LOCAL SUPPLIERS.

We have a long-standing policy of using suppliers and manufacturing within a 40 miles radius, keeping it local is keeping it sustainable.



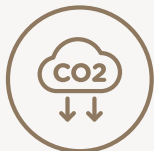
DESIGNED TO BE REPAIRED.

Our lights are designed to disassemble easily for repair or upgrade in the future as technology continues to improve.



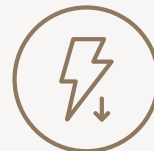
SUSTAINABLE PACKAGING

Each light is lovingly wrapped in recycled paper padding shipped in recycled cardboard packaging.



LOW CARBON MATERIALS

Where possible, we make our parts from low carbon materials that are recycled or can be recycled at end of life.



LOW ENERGY CONSUMPTION

As lighting technology evolves, so do our lights. Now, we use low energy LED bulbs to minimise energy consumption.

PRODUCT INFORMATION

Weight	1600 grams
IP Rating	IP65: Suitable for inside or outside use in wet weather environments. IP rated as “dust tight” and protected against water projected from a nozzle.
Product Dimensions	Width: 229mm; Length: 409mm; Depth: 437mm // From wall to edge of light fitting: 209mm // From wall to middle of light fitting: 323mm // Light fitting diameter: 229mm // Light fitting height: 287mm // Width of corner wall mount: 247mm.
Materials	Cast Aluminium Casing; Formed Aluminium Tube Swan Neck; Polycarbonate Diffuser; TPU Gasket; Steel Screws; Porcelain Lamp Holder; Powder Coated Paint / Aluminium Anodising Finishing.

ELECTRICAL CHARACTERISTICS

Power	Depends on bulb
Voltage	230V
Current	Depends on bulb

LUMINAIRE CHARACTERISTICS

Bulb Type	Edison Screw (E27) / Bayonet Cap (B22)
-----------	--

**BE INSPIRED FOR YOUR NEXT PROJECT.
VISIT OUR SOCIAL MEDIA CHANNELS!**



@JG.COUGHTRIE

PW-15 SWAN NECK CORNER LIGHT, CLEAR

VARIATION	COLOUR	PRODUCT CODE
BAYONET CAP	Black	PW-15/B/CL/BC/CORNERKIT
	White	PW-15/W/CL/BC/CORNERKIT
	Antique Bronze	PW-15/BRONZE/CL/BC/CORNERKIT
	Industrial Aluminium	PW-15/S/CL/BC/CORNERKIT
	Gloss Grey	PW-15/G/CL/BC/CORNERKIT
EDISON SCREW	Black	PW-15/B/CL/ES/CORNERKIT
	White	PW-15/W/CL/ES/CORNERKIT
	Antique Bronze	PW-15/BRONZE/CL/ES/CORNERKIT
	Industrial Aluminium	PW-15/S/CL/ES/CORNERKIT
	Gloss Grey	PW-15/G/CL/ES/CORNERKIT





+44 (0) 141 882 3262



J&G COUGHTRIE
69-71 MONTROSE AVENUE
HILLINGTON, GLASGOW, G52 4LA



sales@jgcoughtrie.com