

**J&G
COUGHTRIE**



PW-15 SWAN NECK WALL LIGHT, OPAL

J&G COUGHTRIE

Trusted by our discerning customers for over eight decades, our UK-made industrial lighting features simple, geometric forms with enduring style and robust construction. Built to last a lifetime, our products are made from the finest quality materials, with the highest spec finishes - quite simply spiffing.



Made in Britain since 1939.

TRUSTED, TIMELESS & ENDURING.

Founded in 1939, by a pair of Glaswegian brothers, our original industrial lighting can still be found, working reliably, across the UK. Robust, and sustainably made, we're proud to continue a rich legacy in lighting, spanning over eight decades.

J&G Coughtrie lighting is expertly engineered in the UK, using the finest materials, and skillful craftsmanship. This helps our customers leave a sustainable legacy, with products reimagined, and redefined, for a modern audience, all while preserving traditional techniques, and values (the old adage, 'they don't make 'em like they used to, definitely doesn't apply to us).

Our lights are the product of over 80 years of experience, with manufacturing processes and craftsmanship refined through multiple generations, grounded in traditional handcrafting methods.

We work with our customers on a wide variety of ventures, from lighting schemes for conservation and restoration projects, to tailored light fittings for hotels, homes, offices, and hospitality venues - both inside, and out. We've also worked on a film, set or two, and know a thing or two about creating the right mood for any scene.

1. Recycled
Aluminium

2. Freshly cast
SY-6 Casing



1.



2.

Our light casings are cast from solid aluminium, with each piece hand finished to remove rough edges, before being powder coated to keep it looking pristine, for longer. Our local Mastercasters have been making Coughtrie casings for decades, some still using original tools from the 1940s and 1950s.

**“TRADITIONAL DESIGN, ENDURING CRAFTSMANSHIP.
COMBINING OVER 80 YEARS OF EXPERIENCE
PRODUCING TIMELESS INDUSTRIAL LIGHTING.”**

Our glass diffusers are custom designed, and moulded in thick, robust glass, diffusing the light evenly, and gently - regardless of the intensity of the bulb inside. Made with care, our glass translates love into light of the finest possible quality. Each of our lights is made to order, with an industry leading product time that sees us combine quality with speed - a rare feat in any industry.

Our lights are rigorously tested by our team before being shipped, many of whom have been with us for over 40 years, with invaluable experience honed over decades.

Quality guaranteed, our lighting range is built to last a lifetime, with each product made to order, individually hand-assembled, and quality checked at our factory in Glasgow. Enduring quality, our products are protected by up-gradable and replaceable technologies combined with rust protected casings to stand the test of time.

J&G Coughtrie has been following sustainable manufacturing and design practices for 80 years - because we believe that sustainable design is simply good design. Made within only recycled, and recyclable materials, our lights are designed for easy disassembly, using mechanical fixings that can be taken apart, repaired, and upgraded, rather than glue. Our suppliers are also locally based, helping to reduce our carbon footprint.

PW-15 SWAN NECK WALL LIGHT, OPAL

Standard, Indoor-Outdoor, Opal

When softer, muted light is desired, the PW-15's extra-large globe shaped opal diffuser is the perfect option. Instantly recognisable, it can often be found illuminating secluded doorways of heritage country estates, with its quiet dignity and elegance.



3. PW-15 Swan
Neck Wall Light,
Opal, Black

4. PW-15 Swan
Neck Wall Light,
Opal, White

3.



PW-15 SWAN NECK WALL LIGHT, OPAL

1

SWEEPING SWAN NECK

The hand bent S shaped bracket elegantly directs the light away from the wall.

2

CAST WALL MOUNT

Our cast aluminium wall mount keeps the PW-15 securely fixed with 2 screws, whatever the British weather throws at it.

3

CURVED CASTING

The gentle curve of the cast casing enables the light to fit flexibly in any environment.

4

PORCELAIN LAMP HOLDER

Your PW-15 can be supplied with a Bayonet Cap or Edison Screw lamp holder to fit an E27 or B22 bulb.

5

POLYCARBONATE DIFFUSER

The fine detailing on the inside of the polycarbonate diffuser helps spread light evenly below.

5. PW-15 Swan
Neck Wall Light,
Opal, Antique Bronze



FALL IN LOVE AT FIRST LIGHT

Super-sized with a silky-smooth silhouette, see why our opal J&G Coughtrie PW-15 Swan Neck Globe Wall Light, is a great allrounder.



6.

6. PW-15 Swan Neck Wall Light, Opal, White

7. PW-15 Swan Neck Wall Light, Opal, Antique Bronze

8. PW-15 Swan Neck Wall Light, Opal, Antique Bronze



7.

Glowing Globe

Mounted off a sweeping swan neck - the large, opal globe diffuser delivers a soft spread of light. Use anywhere where upward light pollution needs to be avoided, placing above archways, down passageways, or over patios. Alternatively, grab one of our custom designed brackets if you'd like it atop a vintage lamppost or hanging in a Cathedral Bell Tower as per some of our previous customers have done!



8.

Cast to Last

Fully waterproof and corrosion resistant, the solid cast aluminium case is built to last, no matter how high or exposed you choose to hang your PW.

FINISHED TO YOUR FANCY



Gloss Grey



Black



Antique Bronze

Colour

The PW-15 can be finished with several different options, to suit your flights of fancy, from powder-coated paint in a range of colours, to an industrial aluminium finish which simply has a clear, protective lacquer applied to achieve that raw, manufactured industrial look, creating an unique

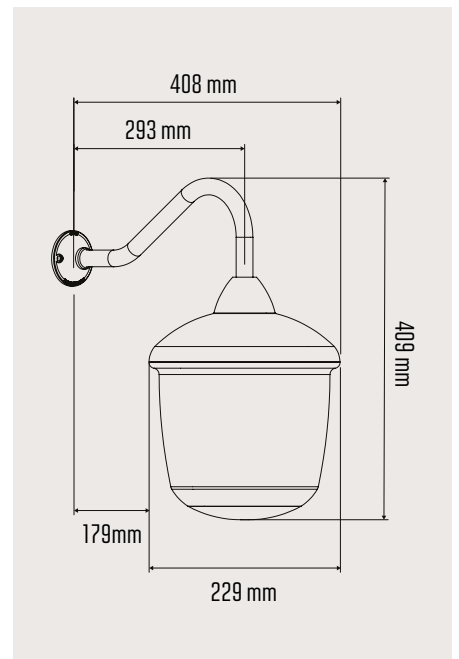
and distinct finish each time. With our bespoke finishing service, you'll also be able to specify a unique RAL colour, for any powder coating.



White



Industrial Aluminium

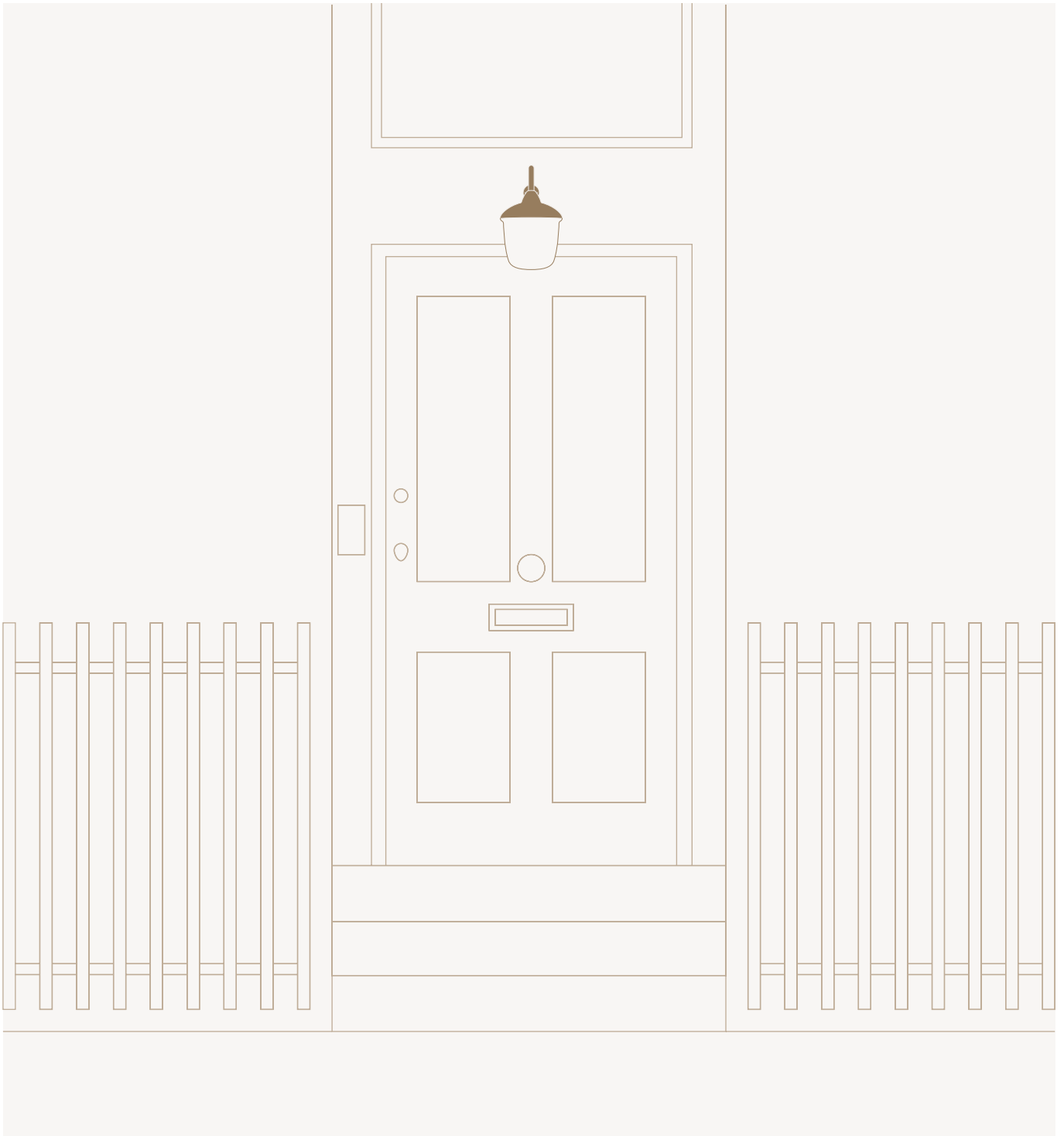


Any RAL Colour of Choice

Customise

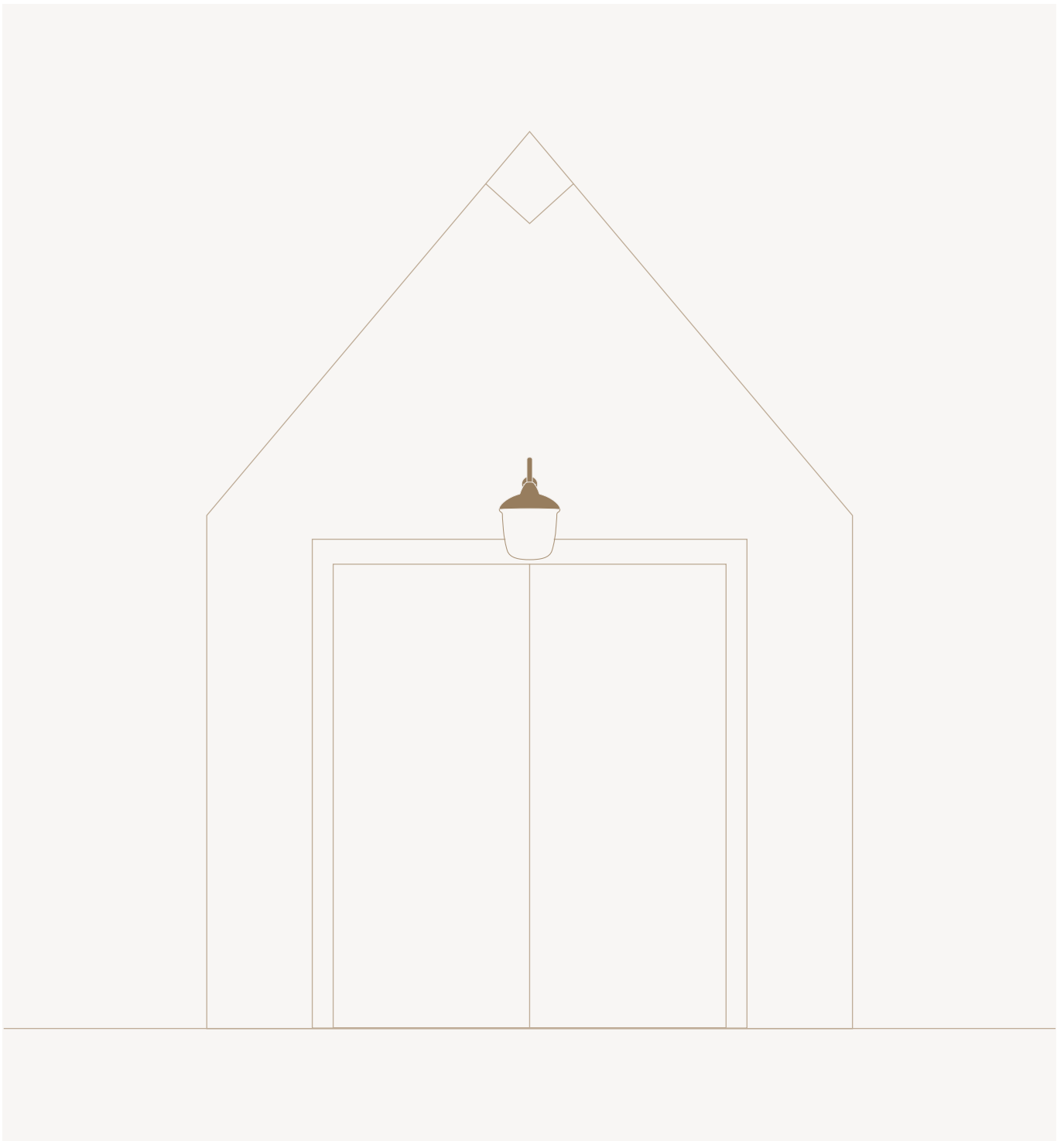
The PW collection is incredibly flexible. Standard mounts allow the light to be wall or corner mounted. Alternatively give our chaps and chapesses a bell to create a custom bracket for mounting or hanging as a pendant.

PW-15 SWAN NECK WALL LIGHT, OPAL



DASHING DOORSTEPS

Step-up your front door's appearance with a perfectly poised PW-15 overhead.



BOATHOUSE BEAUTY

Bathe your boathouse or outhouse in gentle light with a single PW-15 positioned over the doorway.

80 YEARS OF SUSTAINABILITY



BUILT TO LAST.

Our lights are tough cookies, built to last and suitable for even the most extreme applications (or even a Hollywood set!)



LOCAL SUPPLIERS.

We have a long-standing policy of using suppliers and manufacturing within a 40 miles radius, keeping it local is keeping it sustainable.



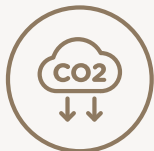
DESIGNED TO BE REPAIRED.

Our lights are designed to disassemble easily for repair or upgrade in the future as technology continues to improve.



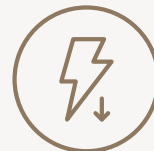
SUSTAINABLE PACKAGING

Each light is lovingly wrapped in recycled paper padding shipped in recycled cardboard packaging.



LOW CARBON MATERIALS

Where possible, we make our parts from low carbon materials that are recycled or can be recycled at end of life.



LOW ENERGY CONSUMPTION

As lighting technology evolves, so do our lights. Now, we use low energy LED bulbs to minimise energy consumption.

PRODUCT INFORMATION

Weight	1500 grams
IP Rating	IP65: Suitable for inside or outside use in wet weather environments. IP rated as “dust tight” and protected against water projected from a nozzle.
Product Dimensions	Width: 229mm; Length: 409mm; Depth: 408mm // From wall to edge of light fitting: 179mm // From wall to middle of light fitting: 293mm // Light fitting diameter: 229mm // Light fitting height: 287mm.
Materials	Cast Aluminium Casing; Formed Aluminium Tube Swan Neck; Frosted Polycarbonate Diffuser; TPU Gasket; Steel Screws; Porcelain Lamp Holder; Powder Coated Paint / Aluminium Anodising Finishing.

ELECTRICAL CHARACTERISTICS

Power	Depends on bulb
Voltage	230V
Current	Depends on bulb

LUMINAIRE CHARACTERISTICS

Bulb Type	Edison Screw (E27) / Bayonet Cap (B22)
-----------	--

**BE INSPIRED FOR YOUR NEXT PROJECT.
VISIT OUR SOCIAL MEDIA CHANNELS!**



@JG.COUGHTRIE

PW-15 SWAN NECK WALL LIGHT, OPAL

VARIATION	COLOUR	PRODUCT CODE
BAYONET CAP	Black	PW-15/B/OP/BC/WALLKIT
	White	PW-15/W/OP/BC/WALLKIT
	Antique Bronze	PW-15/BRONZE/OP/BC/WALLKIT
	Industrial Aluminium	PW-15/S/OP/BC/WALLKIT
	Gloss Grey	PW-15/G/OP/BC/WALLKIT
EDISON SCREW	Black	PW-15/B/OP/ES/WALLKIT
	White	PW-15/W/OP/ES/WALLKIT
	Antique Bronze	PW-15/BRONZE/OP/ES/WALLKIT
	Industrial Aluminium	PW-15/S/OP/ES/WALLKIT
	Gloss Grey	PW-15/G/OP/ES/WALLKIT
BAYONET CAP, NO SWAN NECK OR WALL FIXING	Black	PW-15/B/OP/BC
	White	PW-15/W/OP/BC
	Antique Bronze	PW-15/BRONZE/OP/BC
	Industrial Aluminium	PW-15/S/OP/BC
	Gloss Grey	PW-15/G/OP/BC
EDISON SCREW, NO SWAN NECK OR WALL FIXING	Black	PW-15/B/OP/ES
	White	PW-15/W/OP/ES
	Antique Bronze	PW-15/BRONZE/OP/ES
	Industrial Aluminium	PW-15/S/OP/ES
	Gloss Grey	PW-15/G/OP/ES





+44 (0) 141 882 3262



J&G COUGHTRIE
69-71 MONTROSE AVENUE
HILLINGTON, GLASGOW, G52 4LA



sales@jgcoughtrie.com