

# J&G COUGHTRIE



**SP-10 LARGE OVAL FLUORESCENT BULKHEAD**



# J&G COUGHTRIE

Trusted by our discerning customers for over eight decades, our UK-made industrial lighting features simple, geometric forms with enduring style and robust construction. Built to last a lifetime, our products are made from the finest quality materials, with the highest spec finishes - quite simply spiffing.



Made in Britain since 1939.

# TRUSTED, TIMELESS & ENDURING.

Founded in 1939, by a pair of Glaswegian brothers, our original industrial lighting can still be found, working reliably, across the UK. Robust, and sustainably made, we're proud to continue a rich legacy in lighting, spanning over eight decades.

J&G Coughtrie lighting is expertly engineered in the UK, using the finest materials, and skillful craftsmanship. This helps our customers leave a sustainable legacy, with products reimagined, and redefined, for a modern audience, all while preserving traditional techniques, and values (the old adage, 'they don't make 'em like they used to, definitely doesn't apply to us).

Our lights are the product of over 80 years of experience, with manufacturing processes and craftsmanship refined through multiple generations, grounded in traditional handcrafting methods.

We work with our customers on a wide variety of ventures, from lighting schemes for conservation and restoration projects, to tailored light fittings for hotels, homes, offices, and hospitality venues - both inside, and out. We've also worked on a film, set or two, and know a thing or two about creating the right mood for any scene.

1. Recycled  
Aluminium

2. Freshly cast  
SY-6 Casing





1.



2.

Our light casings are cast from solid aluminium, with each piece hand finished to remove rough edges, before being powder coated to keep it looking pristine, for longer. Our local Mastercasters have been making Coughtrie casings for decades, some still using original tools from the 1940s and 1950s.

---

**“TRADITIONAL DESIGN, ENDURING CRAFTSMANSHIP.  
COMBINING OVER 80 YEARS OF EXPERIENCE  
PRODUCING TIMELESS INDUSTRIAL LIGHTING.”**

---

Our glass diffusers are custom designed, and moulded in thick, robust glass, diffusing the light evenly, and gently - regardless of the intensity of the bulb inside. Made with care, our glass translates love into light of the finest possible quality. Each of our lights is made to order, with an industry leading product time that sees us combine quality with speed - a rare feat in any industry.

Our lights are rigorously tested by our team before being shipped, many of whom have been with us for over 40 years, with invaluable experience honed over decades.

Quality guaranteed, our lighting range is built to last a lifetime, with each product made to order, individually hand-assembled, and quality checked at our factory in Glasgow. Enduring quality, our products are protected by up-gradable and replaceable technologies combined with rust protected casings to stand the test of time.

J&G Coughtrie has been following sustainable manufacturing and design practices for 80 years - because we believe that sustainable design is simply good design. Made within only recycled, and recyclable materials, our lights are designed for easy disassembly, using mechanical fixings that can be taken apart, repaired, and upgraded, rather than glue. Our suppliers are also locally based, helping to reduce our carbon footprint.

# SP-10 LARGE OVAL FLUORESCENT BULKHEAD

Standard, Indoor-Outdoor

Big, bulletproof and built for extremes our SP-10 Bulkhead is a timeless classic from the 1950s. Marvellous for both indoor elegance and maritime settings, it provides a soft, wide spread of atmospheric light.



3. SP-10 Large  
Oval Fluorescent  
Bulkhead, White

4. SP-10 Large  
Oval Fluorescent  
Bulkhead, Black

3.



## SP-10 LARGE OVAL FLUORESCENT BULKHEAD

1

### HOODED POWER PORTS

Rear, top and bottom access for power cable connection.

2

### WINGED SCREW FLANGES

External screw mounting points enable the SP-10 to be quickly fixed in place for your ease - no need to open up the casing.

3

### GLASS WITH CLASS, CHAPS

Thick, hand pressed, and blown glass diffuser, with distinctive decorative ribs, and our iconic Coughtrie brand mark. Available in clear or opal glass.

4

### SHAPED FOR SERVICE

The SP-10's imposing yet classic oval style provides beauty with a practical purpose, for long lasting style and functionality.

5

### BUILT FOR EXTREMES

The hand cast aluminium casing is salt spray certified, and section 12 tunnel approved, at home and happy as Larry in even the most extreme outdoor and maritime settings.

6

### SCREW OR PUSH FITTINGS

With Bayonet Cap, or Edison Screw lamp holder fittings, the SP-10 can also be connected with a smart bulb, and integrated within your home controls. Super fancy!

5. SP-10 Large  
Oval Fluorescent  
Bulkhead, Industrial  
Aluminium





# FALL IN LOVE AT FIRST LIGHT

Big, bulletproof and built for extremes, see why the J&G Coughtrie Large Oval Fluorescent Bulkhead is the strong but sensitive type.



6.

6. SP-10 Large  
Oval Fluorescent  
Bulkhead, Industrial  
Aluminium

7. SP-10 Large  
Oval Fluorescent  
Bulkhead, Antique  
Bronze

8. SP-10 Large  
Oval Fluorescent  
Bulkhead, Black



7.

### Regal And Robust

Each light has been cast using traditional methods, using premium materials, with a solid aluminium case and chunky glass diffuser. Despite its elegant style, the SP-10 remains resolutely robust under any conditions, wet or dry.



8.

### The Sensitive Type

The SP-10 casts an imposing light, thanks to its thick, hand pressed glass diffuser, providing wide, but gentle illumination. Available in clear or opal glass. The ceramic lamp holder can be fitted with a standard E27/B22 fluorescent bulb or choose a smart bulb with remote control.

# FINISHED TO YOUR FANCY



Gloss Grey



Black



Antique Bronze

## Colour

The SP-10 can be finished with several different options, to suit your flights of fancy, from powder-coated paint in a range of colours, to an industrial aluminium finish which simply has a clear, protective lacquer applied to achieve that raw, manufactured industrial look, creating an unique and distinct finish each time.

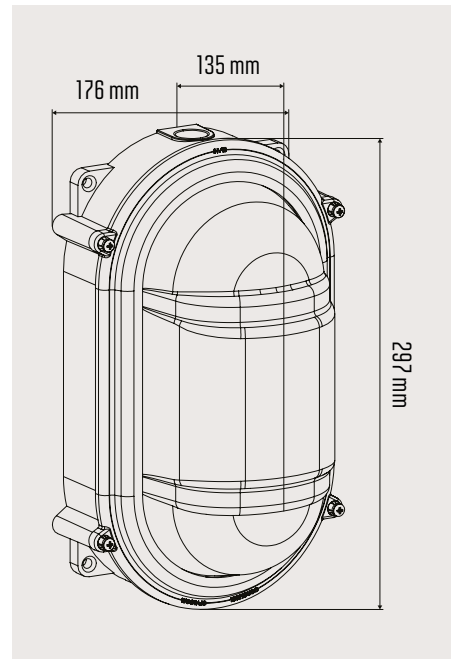
With our bespoke finishing service, you'll also be able to specify a unique RAL colour, for powder coating.



White



Industrial Aluminium



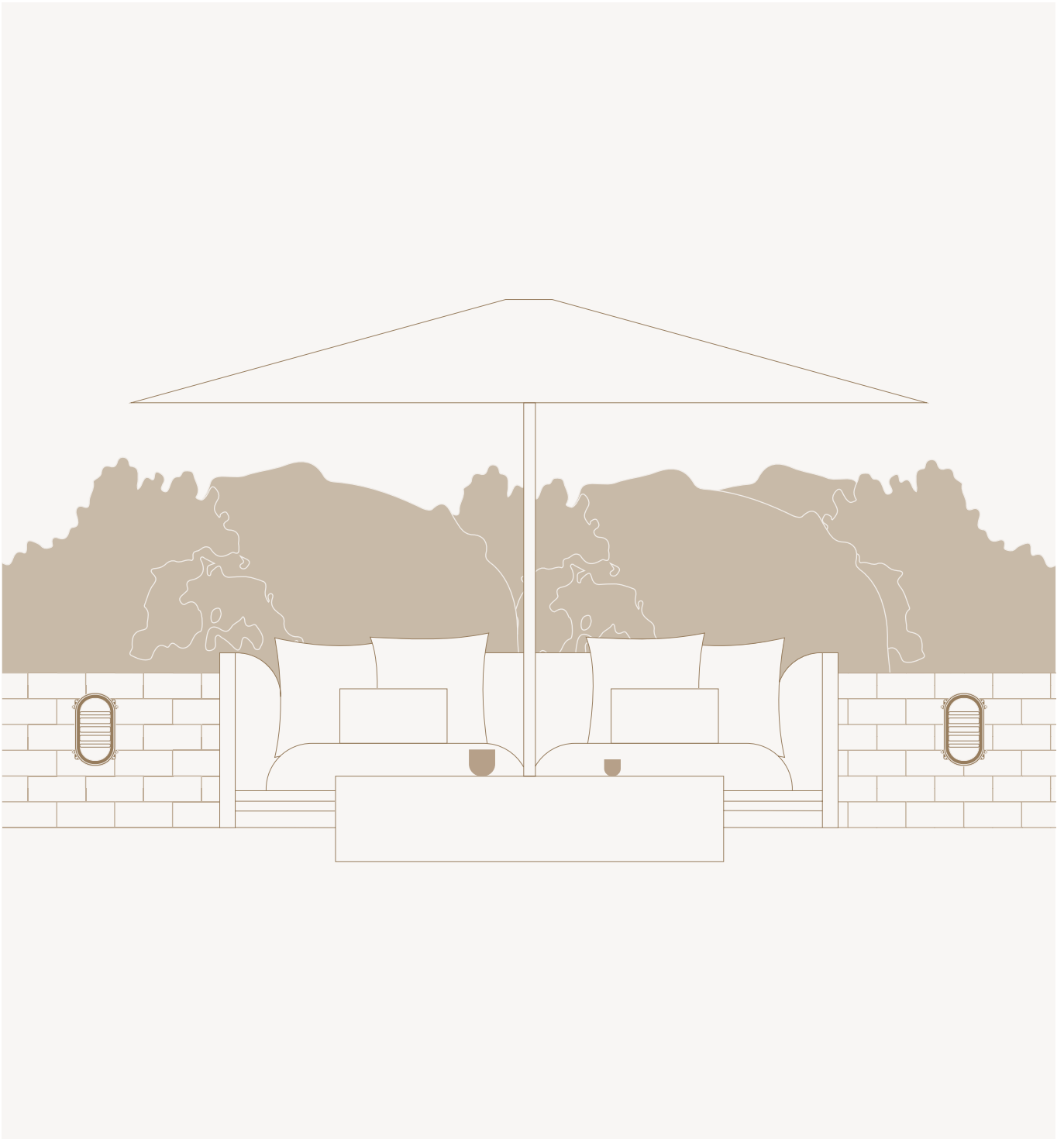
Any RAL Colour of Choice

### Customise

Create your ideal SP-10 specification by choosing the fitting type for your fluorescent bulb (Bayonet Cap or Edison Screw) and specifying Clear or Opal Glass.

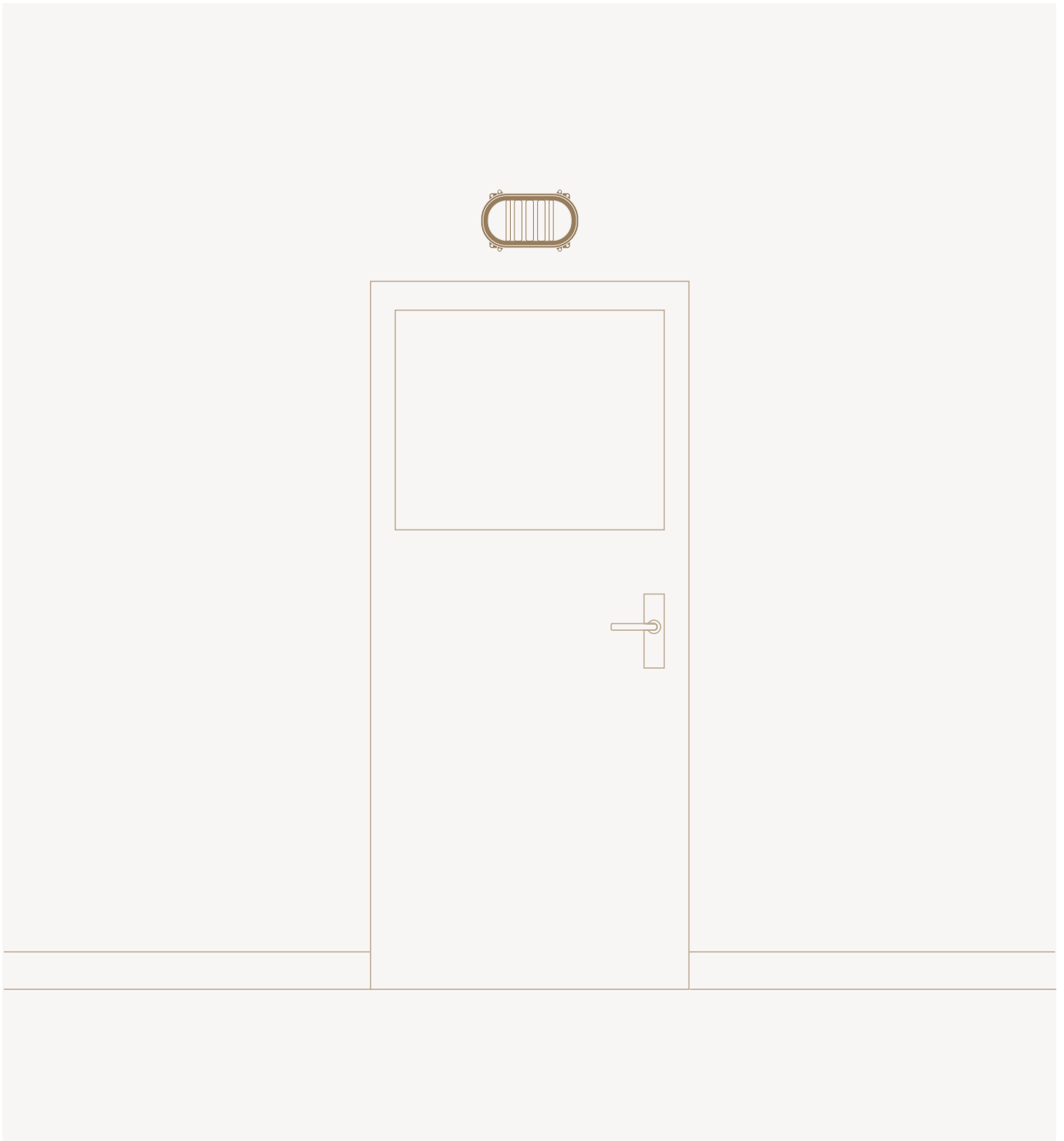


## SP-10 LARGE OVAL FLUORESCENT BULKHEAD



### PATIO PERFECTION

Glow gently into the night with SP-10s placed around your patio space.



## DUTIFUL DOORWAYS

Ensure piece of mind with an SP-10 casting light above your building exit.

# 80 YEARS OF SUSTAINABILITY



## BUILT TO LAST.

Our lights are tough cookies, built to last and suitable for even the most extreme applications (or even a Hollywood set!)



## LOCAL SUPPLIERS.

We have a long-standing policy of using suppliers and manufacturing within a 40 miles radius, keeping it local is keeping it sustainable.



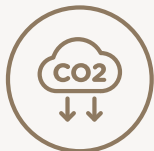
## DESIGNED TO BE REPAIRED.

Our lights are designed to disassemble easily for repair or upgrade in the future as technology continues to improve.



## SUSTAINABLE PACKAGING.

Each light is lovingly wrapped in recycled paper padding shipped in recycled cardboard packaging.



## LOW CARBON MATERIALS.

Where possible, we make our parts from low carbon materials that are recycled or can be recycled at end of life.



## LOW ENERGY CONSUMPTION.

As lighting technology evolves, so do our lights. Now, we use low energy LED bulbs to minimise energy consumption.

---

## PRODUCT INFORMATION

---

Weight	2200 grams
IP Rating	IP65: Suitable for inside or outside use in wet weather environments. IP rated as “dust tight” and protected against water projected from a nozzle.
Product Dimensions	Light fitting: Length: 297mm; Width: 176mm; Depth: 135mm
Materials	Cast Aluminium Casing; Pressed And Blown Glass Diffuser; Sheet Aluminium Gear Tray; TPU Gasket; Steel Screws; Porcelain Lamp Holder; Powder Coated Paint.

---

## ELECTRICAL CHARACTERISTICS

---

Power	Depends on bulb
Voltage	230V
Current	Depends on bulb

---

## LUMINAIRE CHARACTERISTICS

---

Bulb Type	Edison Screw (E27) / Bayonet Cap (B22)
-----------	--

---

**BE INSPIRED FOR YOUR NEXT PROJECT.  
VISIT OUR SOCIAL MEDIA CHANNELS!**



@JG.COUGHTRIE

## SP-10 LARGE OVAL FLUORESCENT BULKHEAD

VARIATION	COLOUR	PRODUCT CODE
CLEAR GLASS, BAYONET CAP	Black	SP-10/B/CL/BC
	White	SP-10/W/CL/BC
	Antique Bronze	SP-10/BRONZE/CL/BC
	Industrial Aluminium	SP-10/S/CL/BC
	Gloss Grey	SP-10/G/CL/BC
CLEAR GLASS, EDISON SCREW	Black	SP-10/B/CL/ES
	White	SP-10/W/CL/ES
	Antique Bronze	SP-10/BRONZE/CL/ES
	Industrial Aluminium	SP-10/S/CL/ES
	Gloss Grey	SP-10/G/CL/ES
OPAL GLASS, BAYONET CAP	Black	SP-10/B/P/BC
	White	SP-10/W/P/BC
	Antique Bronze	SP-10/BRONZE/P/BC
	Industrial Aluminium	SP-10/S/P/BC
	Gloss Grey	SP-10/G/P/BC
OPAL GLASS, EDISON SCREW	Black	SP-10/B/P/ES
	White	SP-10/W/P/ES
	Antique Bronze	SP-10/BRONZE/P/ES
	Industrial Aluminium	SP-10/S/P/ES
	Gloss Grey	SP-10/G/P/ES





SP-10 Large Oval  
Fluorescent Bulkhead,  
Gloss Grey



+44 (0) 141 882 3262



J&G COUGHTRIE  
69-71 MONTROSE AVENUE  
HILLINGTON, GLASGOW, G52 4LA



[sales@jgcoughtrie.com](mailto:sales@jgcoughtrie.com)