

**J&G  
COUGHTRIE**



**SW-10 SWAN NECK CORNER LIGHT WITH REFLECTOR & CAGE**



# J&G COUGHTRIE

Trusted by our discerning customers for over eight decades, our UK-made industrial lighting features simple, geometric forms with enduring style and robust construction. Built to last a lifetime, our products are made from the finest quality materials, with the highest spec finishes - quite simply spiffing.



Made in Britain since 1939.

# TRUSTED, TIMELESS & ENDURING.

Founded in 1939, by a pair of Glaswegian brothers, our original industrial lighting can still be found, working reliably, across the UK. Robust, and sustainably made, we're proud to continue a rich legacy in lighting, spanning over eight decades.

J&G Coughtrie lighting is expertly engineered in the UK, using the finest materials, and skillful craftsmanship. This helps our customers leave a sustainable legacy, with products reimagined, and redefined, for a modern audience, all while preserving traditional techniques, and values (the old adage, 'they don't make 'em like they used to, definitely doesn't apply to us).

Our lights are the product of over 80 years of experience, with manufacturing processes and craftsmanship refined through multiple generations, grounded in traditional handcrafting methods.

We work with our customers on a wide variety of ventures, from lighting schemes for conservation and restoration projects, to tailored light fittings for hotels, homes, offices, and hospitality venues - both inside, and out. We've also worked on a film, set or two, and know a thing or two about creating the right mood for any scene.

1. Recycled  
Aluminium

2. Freshly cast  
SY-6 Casing



1.



2.

Our light casings are cast from solid aluminium, with each piece hand finished to remove rough edges, before being powder coated to keep it looking pristine, for longer. Our local Mastercasters have been making Coughtrie casings for decades, some still using original tools from the 1940s and 1950s.

---

**“TRADITIONAL DESIGN, ENDURING CRAFTSMANSHIP.  
COMBINING OVER 80 YEARS OF EXPERIENCE  
PRODUCING TIMELESS INDUSTRIAL LIGHTING.”**

---

Our glass diffusers are custom designed, and moulded in thick, robust glass, diffusing the light evenly, and gently - regardless of the intensity of the bulb inside. Made with care, our glass translates love into light of the finest possible quality. Each of our lights is made to order, with an industry leading product time that sees us combine quality with speed - a rare feat in any industry.

Our lights are rigorously tested by our team before being shipped, many of whom have been with us for over 40 years, with invaluable experience honed over decades.

Quality guaranteed, our lighting range is built to last a lifetime, with each product made to order, individually hand-assembled, and quality checked at our factory in Glasgow. Enduring quality, our products are protected by up-gradable and replaceable technologies combined with rust protected casings to stand the test of time.

J&G Coughtrie has been following sustainable manufacturing and design practices for 80 years - because we believe that sustainable design is simply good design. Made within only recycled, and recyclable materials, our lights are designed for easy disassembly, using mechanical fixings that can be taken apart, repaired, and upgraded, rather than glue. Our suppliers are also locally based, helping to reduce our carbon footprint.

# SW-10 SWAN NECK CORNER LIGHT WITH REFLECTOR & CAGE

Indoor-Outdoor Use

For exposed corners in the roughest, toughest environments, our SW-10 corner light with cage provides extra peace of mind. Hand-formed from stainless steel, the cage protects the well glass diffuser against passing knocks or flying debris (like chairs in a beer garden brawl!)



3. SW-10 Swan Neck  
Corner Light With  
Reflector & Cage,  
White

4. SW-10 Swan Neck  
Corner Light With  
Reflector & Cage,  
Black

3.



## SW-10 SWAN NECK CORNER LIGHT WITH REFLECTOR & CAGE

1

### SWEEPING SWAN NECK

The hand bent S shaped bracket elegantly directs the light away from the wall.

2

### CORNER WALL BRACKET

Our cast aluminium corner bracket grips to the corner of buildings with three separate fixing points anchoring the SW-10, whatever the British weather throws at it.

3

### FLUTED FINS

The iconic fluted fins on the light casing add strength and protection to the SW-10 with elegance.

4

### CAST REFLECTOR

The 230mm diameter, cast aluminium reflector focuses light from the SW-10 downwards.

5

### PORCELAIN LAMP HOLDER

Your SW-10 can be supplied with a Bayonet Cap or Edison Screw lamp holder to fit an E27 or B22 bulb.

6

### CURVED CAGE

Forged from 6 interconnecting hooped segments the stainless-steel cage screws securely, directly to the fluted casing or to the underside of an attached reflector.

5. SW-10 Swan Neck  
Corner Light With  
Reflector & Cage,  
Industrial Aluminium





# FALL IN LOVE AT FIRST LIGHT

Buff, Tough and packing 360-degree cast aluminium protection, see why the J&G Coughtrie SW-10 Swan Neck Corner Light with Reflector & Cage is the undisputed heavyweight Cage Lighter, in all corners of the UK.



6.

6. SW-10 Swan Neck Corner Light With Reflector & Cage, Black

7. SW-10 Swan Neck Corner Light With Reflector & Cage, White

8. SW-10 Swan Neck Corner Light With Reflector & Cage, Industrial Aluminium



7.

### Cage Lighter

A born survivor, the SW-10 cage features three interlocking steel loops welded onto a circular baseplate. When screwed to the underside of the Reflector, it provides 360 protection for the glass diffuser without blocking emitted light. The cage can also be fitted directly to the casing without a reflector if desired. Contact us directly if you lust for more information!



8.

### Cast To Last

Both the casing, reflector, and corner bracket are cast from solid aluminium and shaped to fit together as part of an upgradable modular system. Rugged, robust, and rain resistant, the SW-10 is built to last and perform however inclement the weather.

# FINISHED TO YOUR FANCY



Gloss Grey



Black



Antique Bronze

## Colour

The SW-10 can be finished with several different options, to suit your flights of fancy, from powder-coated paint in a range of colours, to an industrial aluminium finish which simply has a clear, protective lacquer applied to achieve that raw, manufactured industrial look, creating an unique

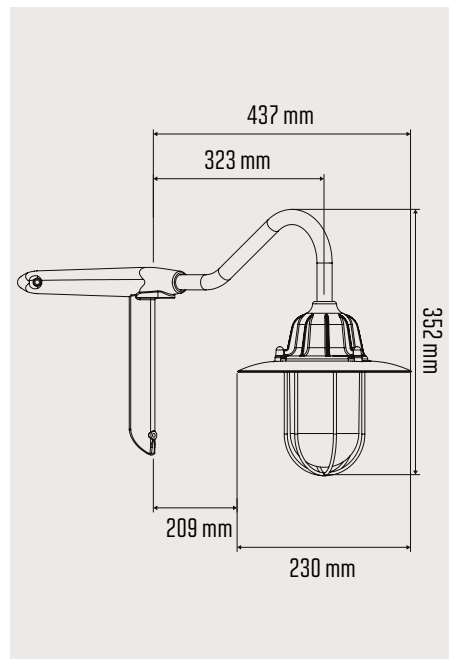
and distinct finish each time. With our bespoke finishing service, you'll also be able to specify a unique RAL colour, for any powder coating.



White



Industrial Aluminium



Any RAL Colour of Choice

## Customise

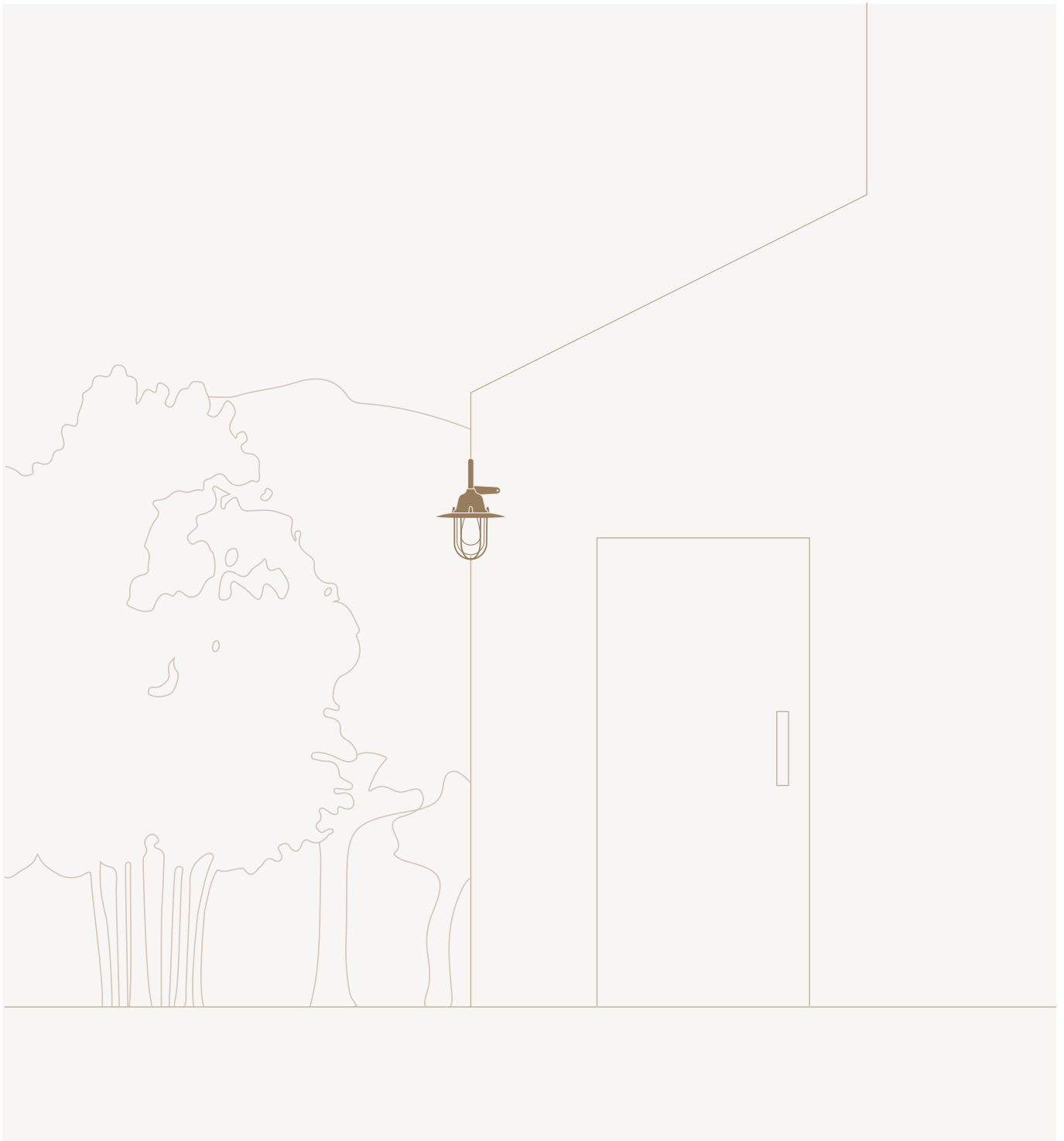
Create your ideal SW-10 specification by choosing the fitting type for your bulb (Bayonet Cap or Edison Screw) and specifying Clear or Frosted Wellglass Diffuser.

## SW-10 SWAN NECK CORNER LIGHT WITH REFLECTOR & CAGE



## WEATHERED WAREHOUSES

No matter the weather, our SW-10 corner lights will brighten the darkest, foggiest nights down at the docks.



## ANXIOUS ALLEYWAYS

When you absolutely must have light, our SW-10 corner light with reflector and cage always delivers.

# 80 YEARS OF SUSTAINABILITY



## BUILT TO LAST.

Our lights are tough cookies, built to last and suitable for even the most extreme applications (or even a Hollywood set!)



## LOCAL SUPPLIERS.

We have a long-standing policy of using suppliers and manufacturing within a 40 miles radius, keeping it local is keeping it sustainable.



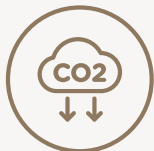
## DESIGNED TO BE REPAIRED.

Our lights are designed to disassemble easily for repair or upgrade in the future as technology continues to improve.



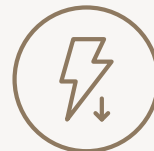
## SUSTAINABLE PACKAGING

Each light is lovingly wrapped in recycled paper padding shipped in recycled cardboard packaging.



## LOW CARBON MATERIALS

Where possible, we make our parts from low carbon materials that are recycled or can be recycled at end of life.



## LOW ENERGY CONSUMPTION

As lighting technology evolves, so do our lights. Now, we use low energy LED bulbs to minimise energy consumption.



---

## PRODUCT INFORMATION

---

Weight	1650 grams
IP Rating	IP65: Suitable for inside or outside use in wet weather environments. IP rated as “dust tight” and protected against water projected from a nozzle.
Product Dimensions	Width: 230mm; Length: 352mm; Depth: 437mm // From wall to edge of Reflector: 209mm // From wall to middle of light fitting: 323mm // Reflector diameter: 230mm // Width of corner wall mount: 247mm.
Materials	Cast Aluminium Casing; Formed Aluminium Tube Swan Neck; Laser Cut Steel Plate And Formed Steel Wire Cage; Pressed And Blown Glass Diffuser; TPU Gasket; Steel Screws; Porcelain Lamp Holder; Powder Coated Paint

---

## ELECTRICAL CHARACTERISTICS

---

Power	Depends on bulb
Voltage	230V
Current	Depends on bulb

---

## LUMINAIRE CHARACTERISTICS

---

Bulb Type	Edison Screw (E27) / Bayonet Cap (B22)
-----------	--

---

**BE INSPIRED FOR YOUR NEXT PROJECT.  
VISIT OUR SOCIAL MEDIA CHANNELS!**



@JG.COUGHTRIE

## SW-10 SWAN NECK CORNER LIGHT WITH REFLECTOR & CAGE

VARIATION	COLOUR	PRODUCT CODE
CLEAR GLASS, BAYONET CAP	Black	SW-10/B/CL/BC+REFCORNERKIT+GUARD
	White	SW-10/W/CL/BC+REFCORNERKIT+GUARD
	Antique Bronze	SW-10/BRONZE/CL/BC+REFCORNERKIT+GUARD
	Industrial Aluminium	SW-10/S/CL/BC+REFCORNERKIT+GUARD
	Gloss Grey	SW-10/G/CL/BC+REFCORNERKIT+GUARD
CLEAR GLASS, EDISON SCREW	Black	SW-10/B/CL/ES+REFCORNERKIT+GUARD
	White	SW-10/W/CL/ES+REFCORNERKIT+GUARD
	Antique Bronze	SW-10/BRONZE/CL/ES+REFCORNERKIT+GUARD
	Industrial Aluminium	SW-10/S/CL/ES+REFCORNERKIT+GUARD
	Gloss Grey	SW-10/G/CL/ES+REFCORNERKIT+GUARD
FROSTED GLASS, BAYONET CAP	Black	SW-10/B/FG/BC+REFCORNERKIT+GUARD
	White	SW-10/W/FG/BC+REFCORNERKIT+GUARD
	Antique Bronze	SW-10/BRONZE/FG/BC+REFCORNERKIT+GUARD
	Industrial Aluminium	SW-10/S/FG/BC+REFCORNERKIT+GUARD
	Gloss Grey	SW-10/G/FG/BC+REFCORNERKIT+GUARD
FROSTED GLASS, EDISON SCREW	Black	SW-10/B/FG/ES+REFCORNERKIT+GUARD
	White	SW-10/W/FG/ES+REFCORNERKIT+GUARD
	Antique Bronze	SW-10/BRONZE/FG/ES+REFCORNERKIT+GUARD
	Industrial Aluminium	SW-10/S/FG/ES+REFCORNERKIT+GUARD
	Gloss Grey	SW-10/G/FG/ES+REFCORNERKIT+GUARD





+44 (0) 141 882 3262



J&G COUGHTRIE  
69-71 MONTROSE AVENUE  
HILLINGTON, GLASGOW, G52 4LA



[sales@jgcoughtrie.com](mailto:sales@jgcoughtrie.com)