

**J&G
COUGHTRIE**



SW-10 SWAN NECK WALL LIGHT WITH REFLECTOR

J&G COUGHTRIE

Trusted by our discerning customers for over eight decades, our UK-made industrial lighting features simple, geometric forms with enduring style and robust construction. Built to last a lifetime, our products are made from the finest quality materials, with the highest spec finishes - quite simply spiffing.



Made in Britain since 1939.

TRUSTED, TIMELESS & ENDURING.

Founded in 1939, by a pair of Glaswegian brothers, our original industrial lighting can still be found, working reliably, across the UK. Robust, and sustainably made, we're proud to continue a rich legacy in lighting, spanning over eight decades.

J&G Coughtrie lighting is expertly engineered in the UK, using the finest materials, and skillful craftsmanship. This helps our customers leave a sustainable legacy, with products reimagined, and redefined, for a modern audience, all while preserving traditional techniques, and values (the old adage, 'they don't make 'em like they used to, definitely doesn't apply to us).

Our lights are the product of over 80 years of experience, with manufacturing processes and craftsmanship refined through multiple generations, grounded in traditional handcrafting methods.

We work with our customers on a wide variety of ventures, from lighting schemes for conservation and restoration projects, to tailored light fittings for hotels, homes, offices, and hospitality venues - both inside, and out. We've also worked on a film, set or two, and know a thing or two about creating the right mood for any scene.

1. Recycled
Aluminium

2. Freshly cast
SY-6 Casing



1.



2.

Our light casings are cast from solid aluminium, with each piece hand finished to remove rough edges, before being powder coated to keep it looking pristine, for longer. Our local Mastercasters have been making Coughtrie casings for decades, some still using original tools from the 1940s and 1950s.

**“TRADITIONAL DESIGN, ENDURING CRAFTSMANSHIP.
COMBINING OVER 80 YEARS OF EXPERIENCE
PRODUCING TIMELESS INDUSTRIAL LIGHTING.”**

Our glass diffusers are custom designed, and moulded in thick, robust glass, diffusing the light evenly, and gently - regardless of the intensity of the bulb inside. Made with care, our glass translates love into light of the finest possible quality. Each of our lights is made to order, with an industry leading product time that sees us combine quality with speed - a rare feat in any industry.

Our lights are rigorously tested by our team before being shipped, many of whom have been with us for over 40 years, with invaluable experience honed over decades.

Quality guaranteed, our lighting range is built to last a lifetime, with each product made to order, individually hand-assembled, and quality checked at our factory in Glasgow. Enduring quality, our products are protected by up-gradable and replaceable technologies combined with rust protected casings to stand the test of time.

J&G Coughtrie has been following sustainable manufacturing and design practices for 80 years - because we believe that sustainable design is simply good design. Made within only recycled, and recyclable materials, our lights are designed for easy disassembly, using mechanical fixings that can be taken apart, repaired, and upgraded, rather than glue. Our suppliers are also locally based, helping to reduce our carbon footprint.

SW-10 SWAN NECK WALL LIGHT WITH REFLECTOR

With Reflector, Indoor-Outdoor Use

If focused downlighting is important to your scheme, the SW-10 wall light with reflector is the order of the day. Pip pip! The gently tapered cast aluminium reflector is combined with the SW's iconic fluted case, to cut an elegant yet practical silhouette on gloomy British nights!



3. SW-10 Swan Neck
Wall Light With
Reflector, Industrial
Aluminium

4. SW-10 Swan Neck
Wall Light With
Reflector, Black

3.



SW-10 SWAN NECK WALL LIGHT WITH REFLECTOR

1

SWEEPING SWAN NECK

The hand bent S shaped bracket elegantly directs light away from the wall for a harmonious glow.

2

CAST WALL MOUNT

Our cast aluminium wall mount keeps the SW-10 securely fixed with just 2 screws, whatever the British weather throws at it.

3

FLUTED FINS

The iconic fluted fins on the light casing add elegant strength, and protection, to the SW.

4

CAST REFLECTOR

The 230mm diameter cast aluminium reflector focuses light downwards from the SW-10.

5

PORCELAIN LAMP HOLDER

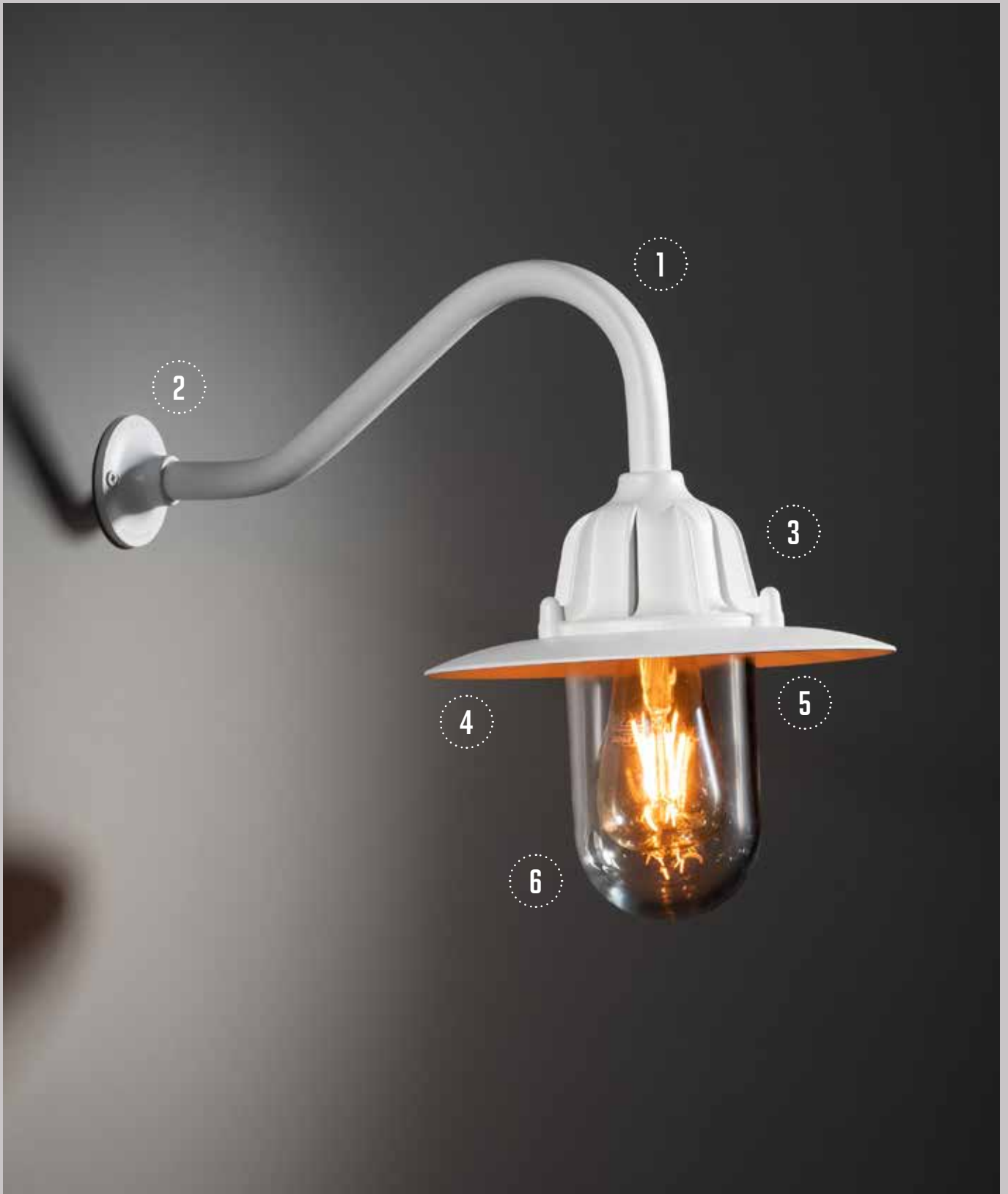
Your SW-10 can be supplied with a Bayonet Cap (B22), or Edison Screw (E27) lamp.

6

WELLGLASS DIFFUSER

Each SW-10 comes with a thick hand pressed and blown Wellglass diffuser to keep your light watertight for outdoor or bathroom use, and to gently diffuse the light emitted. Specify in clear or frosted.

5. SW-10 Swan Neck
Wall Light With
Reflector, White



FALL IN LOVE AT FIRST LIGHT

Downcast, cast-to-last, last-light-standing - see why the J&G Coughtrie SW-10 Swan Neck Wall Light with Reflector puts other lights in the shade.



6.

6. SW-10 Swan Neck Wall Light With Reflector, Industrial Aluminium

7. SW-10 Swan Neck Wall Light With Reflector, Black

8. SW-10 Swan Neck Wall Light With Reflector, Antique Bronze



7.

Down Lighting

Keen to reduce light pollution? Or perhaps you're more focussed on downlighting? Choose the optional cast aluminium reflector to direct light from the SW-10 downwards, forming a controlled pool of illumination. Used outside above porches, the reflector shades the light from wind and rain, inside the 'over table' or 'seating' reflector adds a feeling of seclusion.



8.

Cast To Last

Both the casing and the reflector are cast from solid aluminium and shaped to fit together as part of an upgradable modular system. Rugged, robust, and rain resistant, the SW-10 is built to last, and perform, however inclement the British weather!

FINISHED TO YOUR FANCY



Gloss Grey



Black



Antique Bronze

Colour

The SW-10 can be finished with several different options, to suit your flights of fancy, from powder-coated paint in a range of colours, to an industrial aluminium finish which simply has a clear, protective lacquer applied to achieve that raw, manufactured industrial look, creating an unique

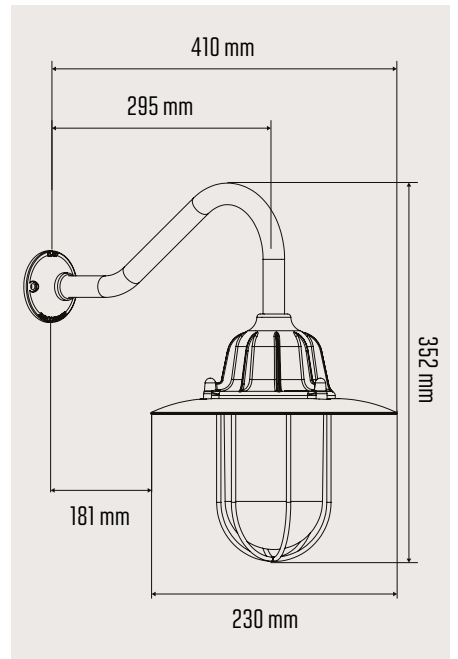
and distinct finish each time. With our bespoke finishing service, you'll also be able to specify a unique RAL colour, for any powder coating.



White



Industrial Aluminium

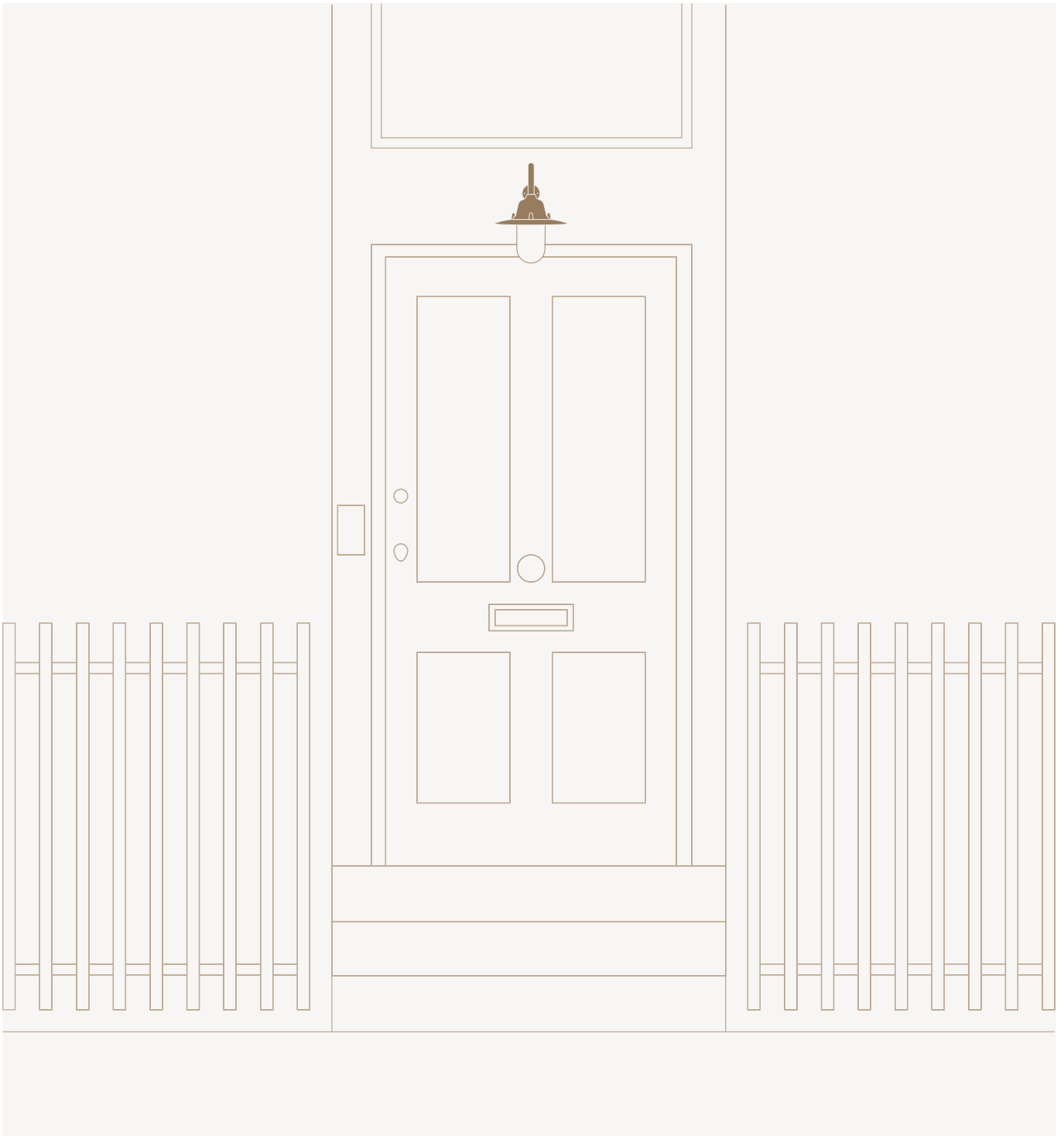


Any RAL Colour of Choice

Customise

Customise to suit your lighting scheme, with Clear or Frosted Wellglass Diffuser and Edison Screw or Bayonet Cap lamp holder.

SW-10 SWAN NECK WALL LIGHT WITH REFLECTOR



TOP TOWNHOUSES

Be the talk of the town but keep the wildlife from wailing, with an SW-10 Wall light that keeps light reflected down just over your doorway.



GRAND GATEWAYS

Top off your Gateway with more sophistication than Fred Astaire in a Top Hat, with a SW-10 Wall Light plus Reflector.

80 YEARS OF SUSTAINABILITY



BUILT TO LAST.

Our lights are tough cookies, built to last and suitable for even the most extreme applications (or even a Hollywood set!)



LOCAL SUPPLIERS.

We have a long-standing policy of using suppliers and manufacturing within a 40 miles radius, keeping it local is keeping it sustainable.



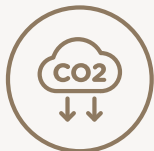
DESIGNED TO BE REPAIRED.

Our lights are designed to disassemble easily for repair or upgrade in the future as technology continues to improve.



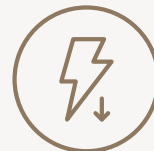
SUSTAINABLE PACKAGING

Each light is lovingly wrapped in recycled paper padding shipped in recycled cardboard packaging.



LOW CARBON MATERIALS

Where possible, we make our parts from low carbon materials that are recycled or can be recycled at end of life.



LOW ENERGY CONSUMPTION

As lighting technology evolves, so do our lights. Now, we use low energy LED bulbs to minimise energy consumption.

PRODUCT INFORMATION

Weight	1500 grams
IP Rating	IP65: Suitable for inside or outside use in wet weather environments. IP rated as “dust tight” and protected against water projected from a nozzle
Product Dimensions	Overall dimensions: Width: 230mm; Length: 340mm; Depth: 410mm // From wall to edge of Reflector: 181mm // From wall to middle of light fitting: 295mm // Reflector diameter: 230mm.
Materials	Cast Aluminium Casing; Formed Aluminium Tube Swan Neck; Pressed And Blown Glass Diffuser; TPU Gasket; Steel Screws; Porcelain Lamp Holder; Powder Coated Paint.

ELECTRICAL CHARACTERISTICS

Power	Depends on bulb
Voltage	230V
Current	Depends on bulb

LUMINAIRE CHARACTERISTICS

Bulb Type	Edison Screw (E27) / Bayonet Cap (B22)
-----------	--

**BE INSPIRED FOR YOUR NEXT PROJECT.
VISIT OUR SOCIAL MEDIA CHANNELS!**



@JG.COUGHTRIE

SW-10 SWAN NECK WALL LIGHT WITH REFLECTOR

VARIATION	COLOUR	PRODUCT CODE
CLEAR GLASS, BAYONET CAP	Black	SW-10/B/CL/BC+REFWALLKIT
	White	SW-10/W/CL/BC+REFWALLKIT
	Antique Bronze	SW-10/BRONZE/CL/BC+REFWALLKIT
	Industrial Aluminium	SW-10/S/CL/BC+REFWALLKIT
	Gloss Grey	SW-10/G/CL/BC+REFWALLKIT
CLEAR GLASS, EDISON SCREW	Black	SW-10/B/CL/ES+REFWALLKIT
	White	SW-10/W/CL/ES+REFWALLKIT
	Antique Bronze	SW-10/BRONZE/CL/ES+REFWALLKIT
	Industrial Aluminium	SW-10/S/CL/ES+REFWALLKIT
	Gloss Grey	SW-10/G/CL/ES+REFWALLKIT
FROSTED GLASS, BAYONET CAP	Black	SW-10/B/FG/BC+REFWALLKIT
	White	SW-10/W/FG/BC+REFWALLKIT
	Antique Bronze	SW-10/BRONZE/FG/BC+REFWALLKIT
	Industrial Aluminium	SW-10/S/FG/BC+REFWALLKIT
	Gloss Grey	SW-10/G/FG/BC+REFWALLKIT
FROSTED GLASS, EDISON SCREW	Black	SW-10/B/FG/ES+REFWALLKIT
	White	SW-10/W/FG/ES+REFWALLKIT
	Antique Bronze	SW-10/BRONZE/FG/ES+REFWALLKIT
	Industrial Aluminium	SW-10/S/FG/ES+REFWALLKIT
	Gloss Grey	SW-10/G/FG/ES+REFWALLKIT





+44 (0) 141 882 3262



J&G COUGHTRIE
69-71 MONTROSE AVENUE
HILLINGTON, GLASGOW, G52 4LA



sales@jgcoughtrie.com