

J&G COUGHTRIE



SW-120 DROP PENDANT

J&G COUGHTRIE

Trusted by our discerning customers for over eight decades, our UK-made industrial lighting features simple, geometric forms with enduring style and robust construction. Built to last a lifetime, our products are made from the finest quality materials, with the highest spec finishes - quite simply spiffing.



Made in Britain since 1939.

TRUSTED, TIMELESS & ENDURING.

Founded in 1939, by a pair of Glaswegian brothers, our original industrial lighting can still be found, working reliably, across the UK. Robust, and sustainably made, we're proud to continue a rich legacy in lighting, spanning over eight decades.

J&G Coughtrie lighting is expertly engineered in the UK, using the finest materials, and skillful craftsmanship. This helps our customers leave a sustainable legacy, with products reimagined, and redefined, for a modern audience, all while preserving traditional techniques, and values (the old adage, 'they don't make 'em like they used to, definitely doesn't apply to us).

Our lights are the product of over 80 years of experience, with manufacturing processes and craftsmanship refined through multiple generations, grounded in traditional handcrafting methods.

We work with our customers on a wide variety of ventures, from lighting schemes for conservation and restoration projects, to tailored light fittings for hotels, homes, offices, and hospitality venues - both inside, and out. We've also worked on a film, set or two, and know a thing or two about creating the right mood for any scene.

1. Recycled
Aluminium

2. Freshly cast
SY-6 Casing



1.



2.

Our light casings are cast from solid aluminium, with each piece hand finished to remove rough edges, before being powder coated to keep it looking pristine, for longer. Our local Mastercasters have been making Coughtrie casings for decades, some still using original tools from the 1940s and 1950s.

**“TRADITIONAL DESIGN, ENDURING CRAFTSMANSHIP.
COMBINING OVER 80 YEARS OF EXPERIENCE
PRODUCING TIMELESS INDUSTRIAL LIGHTING.”**

Our glass diffusers are custom designed, and moulded in thick, robust glass, diffusing the light evenly, and gently - regardless of the intensity of the bulb inside. Made with care, our glass translates love into light of the finest possible quality. Each of our lights is made to order, with an industry leading product time that sees us combine quality with speed - a rare feat in any industry.

Our lights are rigorously tested by our team before being shipped, many of whom have been with us for over 40 years, with invaluable experience honed over decades.

Quality guaranteed, our lighting range is built to last a lifetime, with each product made to order, individually hand-assembled, and quality checked at our factory in Glasgow. Enduring quality, our products are protected by up-gradable and replaceable technologies combined with rust protected casings to stand the test of time.

J&G Coughtrie has been following sustainable manufacturing and design practices for 80 years - because we believe that sustainable design is simply good design. Made within only recycled, and recyclable materials, our lights are designed for easy disassembly, using mechanical fixings that can be taken apart, repaired, and upgraded, rather than glue. Our suppliers are also locally based, helping to reduce our carbon footprint.

SW-120 DROP PENDANT

With Ceiling Rose, Indoor Use Only

New to the SW family, the SW-120 Drop Pendant can be hung individually or in a charming trio. Create a stunning centrepiece above kitchen islands, in high hallways, or stately stairwells. Welcome to industrial chic that's truly unique!



3. SW-120 Drop
Pendant, Black

4. SW-120 Drop
Pendant, Industrial
Aluminium

3.



SW-120 DROP PENDANT

1

CAST CEILING ROSE

The cast aluminium ceiling rose mirrors the casing of the Drop Pendant below. It slips on the ceiling mounting plate supplied and tightens into place with its own cable gland.

2

20MM CABLE GLAND

The machined cable gland seals the top of the casing and securely grips the heavy duty 3-core fabric power cord from within.

3

FLUTED FINS

The iconic fluted fins on the light casing add strength and protection to the SW-120 with elegance.

4

DOMED SCREW MOUNTS

Three equally spaced mounting points allow modular accessories to be fixed to the SW-120 to adapt its look or extend its functionality.

5

PORCELAIN LAMP HOLDER

Your SW-120 can be supplied with a Bayonet Cap or Edison Screw lamp holder to fit an E27 or B22 bulb.

6

WELLGLASS DIFFUSER

Each SW-120 comes with a thick hand pressed and blown Wellglass diffuser that gently diffuses the light emitted and protects the bulb inside. Available in clear or frosted glass.



DROP THEM LIKE THEY'RE HOT

Each part of the casing is cast from solid aluminium, fitting together as part of an upgradable modular system.



6.

6. SW-120 Drop
Pendant, Industrial
Aluminium

7. SW-120 Ceiling
Rose, Black

8. SW-120 Drop
Pendant, White



7.

Pendantly Brilliant

Each SW-120 Drop Pendant is supplied with a matching cast aluminium ceiling rose that slips securely onto its own, easy-fit ceiling mounting plate.



8.

Fintastic Forms

The sweeping fins of the cast aluminium case, combined with curved, pressed and blown Wellglass diffuser, contribute to the SW-120's iconic form.

SW-120 DROP PENDANT

PAINTENTLY PERFECT



Gloss Grey



Black



Antique Bronze

Colour

The SW-120 Drop Pendant can be finished in a range of powder-coated paint colours. With our bespoke finishing service, you'll also be able to specify a unique RAL colour for powder coating to match any colour scheme in your home.

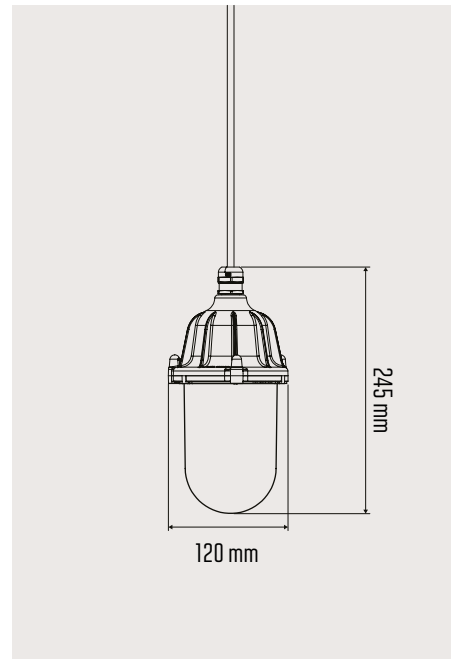
Please note the ceiling rose colour comes matched to the light colour as standard. If you would like the ceiling rose in a different colour just let us know.



White



Industrial Aluminium



Any RAL Colour of Choice

Customise

Specify Clear or Frosted Wellglass Diffuser and Edison Screw or Bayonet Cap lamp holder. The cord comes in black or white as standard at 1 meter long. Contact us if you would like a different length for your project or even a different colour.

Accessorise

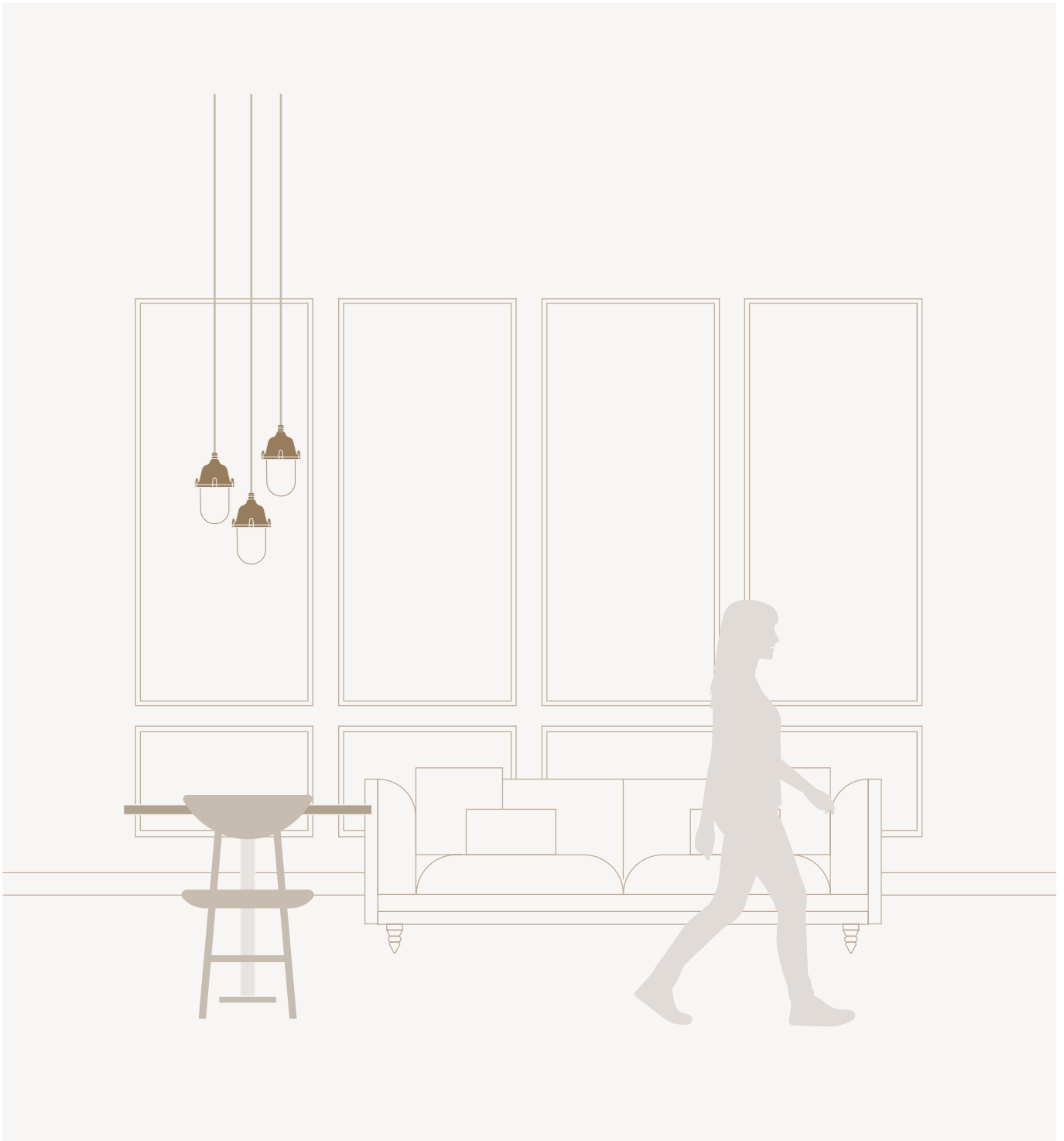
Contact our sales team if you would like to add a reflector or cage to the light.

SW-120 DROP PENDANT



STUNNING STAIRWELLS

Group several SW-120s together over a stairwell for a stunning hallway centrepiece.



DISHY DINING

Hang a trio of SW-120s together for a romantic and atmospheric dining setting.

80 YEARS OF SUSTAINABILITY



BUILT TO LAST.

Our lights are tough cookies, built to last and suitable for even the most extreme applications (or even a Hollywood set!)



LOCAL SUPPLIERS.

We have a long-standing policy of using suppliers and manufacturing within a 40 miles radius, keeping it local is keeping it sustainable.



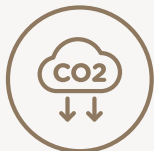
DESIGNED TO BE REPAIRED.

Our lights are designed to disassemble easily for repair or upgrade in the future as technology continues to improve.



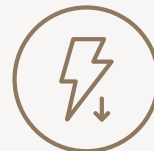
SUSTAINABLE PACKAGING.

Each light is lovingly wrapped in recycled paper padding shipped in recycled cardboard packaging.



LOW CARBON MATERIALS.

Where possible, we make our parts from low carbon materials that are recycled or can be recycled at end of life.



LOW ENERGY CONSUMPTION.

As lighting technology evolves, so do our lights. Now, we use low energy LED bulbs to minimise energy consumption.

PRODUCT INFORMATION

Weight	1500 grams
IP Rating	Suitable for inside use. Dust tight.
Product Dimensions	Light fitting: Diameter 120mm; Length: 245mm. Cord & Chain Length: 1000mm Ceiling Rose: Diameter 120mm; Depth: 80mm Total drop height from ceiling to bottom of fitting: 1320mm.
Materials	Cast aluminium Casing, Pressed and Blown Glass Diffuser, Nitrile Rubber Gasket, Stainless Steel Screws, Porcelain Lamp Holder, M20 Cable Gland, Fabric Coated Power Cord, Powder Coated Paint Finish

ELECTRICAL CHARACTERISTICS

Power	Depends on bulb
Voltage	230V
Current	Depends on bulb

LUMINAIRE CHARACTERISTICS

Bulb Type	Edison Screw (E27) / Bayonet Cap (B22)
-----------	--

**BE INSPIRED FOR YOUR NEXT PROJECT.
VISIT OUR SOCIAL MEDIA CHANNELS!**



@JG.COUGHTRIE

SW-120 DROP PENDANT

VARIATION	COLOUR	PRODUCT CODE
CLEAR GLASS, BAYONET CAP	Black	SW-120/B/CL/BC+DROPPENDANT
	White	SW-120/W/CL/BC+DROPPENDANT
	Antique Bronze	SW-120/BRONZE/CL/BC+DROPPENDANT
	Industrial Aluminium	SW-120/S/CL/BC+DROPPENDANT
	Gloss Grey	SW-120/G/CL/BC+DROPPENDANT
CLEAR GLASS, EDISON SCREW	Black	SW-120/B/CL/ES+DROPPENDANT
	White	SW-120/W/CL/ES+DROPPENDANT
	Antique Bronze	SW-120/BRONZE/CL/ES+DROPPENDANT
	Industrial Aluminium	SW-120/S/CL/ES+DROPPENDANT
	Gloss Grey	SW-120/G/CL/ES+DROPPENDANT
FROSTED GLASS, BAYONET CAP	Black	SW-120/B/FG/BC+DROPPENDANT
	White	SW-120/W/FG/BC+DROPPENDANT
	Antique Bronze	SW-120/BRONZE/FG/BC+DROPPENDANT
	Industrial Aluminium	SW-120/S/FG/BC+DROPPENDANT
	Gloss Grey	SW-120/G/FG/BC+DROPPENDANT
FROSTED GLASS, EDISON SCREW	Black	SW-120/B/FG/ES+DROPPENDANT
	White	SW-120/W/FG/ES+DROPPENDANT
	Antique Bronze	SW-120/BRONZE/FG/ES+DROPPENDANT
	Industrial Aluminium	SW-120/S/FG/ES+DROPPENDANT
	Gloss Grey	SW-120/G/FG/ES+DROPPENDANT



CONTACT OUR SALES TEAM DIRECTLY IF YOU WOULD LIKE TO USE ANY VARIATIONS OF THE SW-120 DROP PENDANT OUTSIDE AND WE CAN PROVIDE A WEATHER RESISTANT VERSION.





+44 (0) 141 882 3262



J&G COUGHTRIE
69-71 MONTROSE AVENUE
HILLINGTON, GLASGOW, G52 4LA



sales@jgcoughtrie.com