

# J&G COUGHTRIE



**SW-120 PLUG-IN WALL HANGING PENDANT, CLEAR**



# J&G COUGHTRIE

Trusted by our discerning customers for over eight decades, our UK-made industrial lighting features simple, geometric forms with enduring style and robust construction. Built to last a lifetime, our products are made from the finest quality materials, with the highest spec finishes - quite simply spiffing.



Made in Britain since 1939.

# TRUSTED, TIMELESS & ENDURING.

Founded in 1939, by a pair of Glaswegian brothers, our original industrial lighting can still be found, working reliably, across the UK. Robust, and sustainably made, we're proud to continue a rich legacy in lighting, spanning over eight decades.

J&G Coughtrie lighting is expertly engineered in the UK, using the finest materials, and skilful craftsmanship. This helps our customers leave a sustainable legacy, with products reimagined, and redefined, for a modern audience, all while preserving traditional techniques, and values (the old adage, 'they don't make 'em like they used to, definitely doesn't apply to us).

Our lights are the product of over 80 years of experience, with manufacturing processes and craftsmanship refined through multiple generations, grounded in traditional handcrafting methods.

We work with our customers on a wide variety of ventures, from lighting schemes for conservation and restoration projects, to tailored light fittings for hotels, homes, offices, and hospitality venues - both inside, and out. We've also worked on a film, set or two, and know a thing or two about creating the right mood for any scene.

1. Recycled  
Aluminium

2. Freshly cast  
SY-6 Casing



1.

Our light casings are hand cast from solid aluminium, with each piece hand finished to remove rough edges, before being coated with chip resistant paint to keep it looking pristine, for longer. Our local Mastercasters have been making Coughtrie casings for decades, some still using original tools from the 1940s and 1950s.

---

**“TRADITIONAL DESIGN, ENDURING CRAFTSMANSHIP.  
COMBINING OVER 80 YEARS OF EXPERIENCE  
PRODUCING TIMELESS INDUSTRIAL LIGHTING.”**

---

Our glass diffusers are custom designed, and moulded in thick, robust glass, diffusing the light evenly, and gently - regardless of the intensity of the bulb inside. Made with care, our glass translates love into light of the finest possible quality. Each of our lights is made to order, with an industry leading product time that sees us combine quality with speed - a rare feat in any industry.



2.

Our lights are rigorously tested by our team before being shipped, many of whom have been with us for over 40 years, with invaluable experience honed over decades.

Quality guaranteed, our lighting range is built to last a lifetime, with each product made to order, individually hand-assembled, and quality checked at our factory in Glasgow. Enduring quality our products are protected by upgradable and replaceable technologies that see them stand the test of time, with robust construction that stands up to anything the UK weather can throw at it - rust, rain, and obsolescence.

J&G Coughtrie has been following sustainable manufacturing and design practices for 80 years - because we believe that sustainable design is simply good design. Made within only recycled, and recyclable materials, our lights are designed for easy disassembly, using mechanical fixings that can be taken apart, repaired, and upgraded, rather than glue. Our suppliers are also locally based, helping to reduce our carbon footprint.

# SW-120 PLUG-IN WALL HANGING PENDANT

Clear, Indoor Use Only

Plug n' pendant. Hang our classic SW-120 pendant from its beautiful, knurled knob, in just minutes without an electrician. Pair-up for perfect bedside lighting or go solo for soft wall lighting just about anywhere.



3. SW-120 Plug-In Wall Hanging Pendant, Industrial Aluminium

4. SW-120 Plug-In Wall Hanging Pendant, White

3.



## SW-120 PLUG-IN WALL HANGING PENDANT, CLEAR

1

### KNURLED HANGING KNOB

Precision machined from solid aluminium and finished with a beautiful, knurled pattern; the Hanging Knob fixes quickly to the wall with 2 screws wherever you want light. Pull the cord through and wind up or down to adjust your lighting height.

2

### KNURLED CABLE TIDY

Keep your cable coralled with our custom Cable Tidy. It comes anodised to match the hanging knob and fixes to any surface with a single screw.

3

### ROCKER SWITCH

A simple on/off rocker puts light at your fingertips.

4

### OVERMOULDED PLUG

The fabric flex, rocker switch and plug are black as standard for all lights, apart from the white light which comes all in white.

5

### FLUTTED FINS

The iconic fluted fins on the light casing add strength and protection to the SW-120 with elegance.

6

### WELLGLASS DIFFUSER

Each SW-120 comes with a thick hand pressed and blown Wellglass diffuser that gently diffuses the light emitted and protects the bulb inside. Available in clear or frosted glass.





5.

# PLUG AND PLAY PERFECTION

Iconic and flexible - see why the SW-120 Plug-In Wall Hanging Pendant brings soft wall lighting to just about anywhere.



6.

6. SW-120 Plug-In Wall Hanging Pendant, Gloss Grey

7. Knurled Hanging Knob, Industrial Aluminium

8. Knurled Cable Tidy, Industrial Aluminium



7.

### Hang Tough Anywhere

Welcome to the world of flexible wall lighting! Simply screw the precision machined Knurled Hanging Knob into any wall and plug into a standard 230V mains power socket to bring the light. Pull the cord through and wind up or down to adjust your lighting height.



8.

### Keeps Cables Coralled

Keep your cable coralled with our custom cable tidy. It comes anodised to match the hanging knob and fixes to any surface with a single screw.

# PAINTENTLY PERFECT



Gloss Grey



Black



Antique Bronze

## Colour

The SW-120 Plug-In Wall Hanging Pendant comes in a range of powder-coated paint colours, each paired with an anodised Knurled Hanging Knob and anodised Knurled Cable Tidy. Please check the colour pairings before ordering. All lights come with a black cord and plug by default apart from the White light, which comes in white.

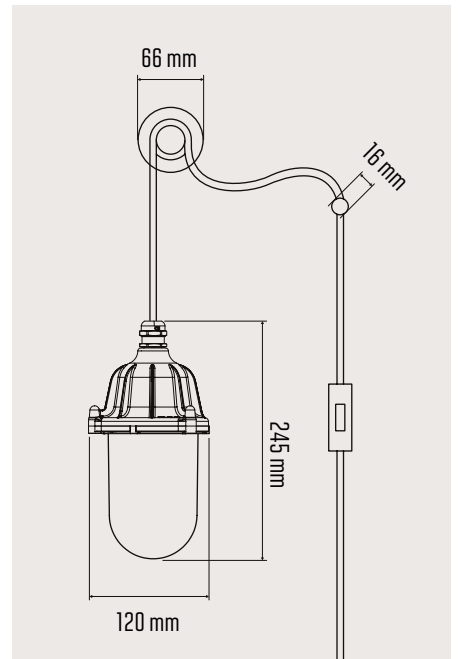
With our bespoke finishing service, you'll also be able to specify a unique RAL colour for powder coating to match any colour scheme in your home.



White



Industrial Aluminium



Any RAL Colour of Choice

### Customise

Specify Edison Screw or Bayonet Cap lamp holder and contact our sales team if you would like to add a Cage to the light to protect against any unpredictable knocks.

## SW-120 PLUG-IN WALL HANGING PENDANT, CLEAR



### READING ROYALTY

Hang the SW-120 by your favourite armchair to create a cosy place for reading or relaxing with your hounds.



## ILLUMINARTÉ

Put your favourite art in the picture with their own special SW-120 lighting.

# 80 YEARS OF SUSTAINABILITY



## BUILT TO LAST.

Our lights are tough cookies, built to last and suitable for even the most extreme applications (or even a Hollywood set!)



## LOCAL SUPPLIERS.

We have a long-standing policy of using suppliers and manufacturing within a 40 miles radius, keeping it local is keeping it sustainable.



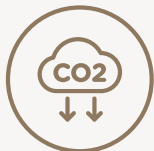
## DESIGNED TO BE REPAIRED.

Our lights are designed to disassemble easily for repair or upgrade in the future as technology continues to improve.



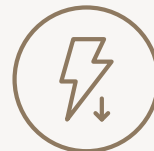
## SUSTAINABLE PACKAGING.

Each light is lovingly wrapped in recycled paper padding shipped in recycled cardboard packaging.



## LOW CARBON MATERIALS.

Where possible, we make our parts from low carbon materials that are recycled or can be recycled at end of life.



## LOW ENERGY CONSUMPTION.

As lighting technology evolves, so do our lights. Now, we use low energy LED bulbs to minimise energy consumption.



## PRODUCT INFORMATION

Weight	1500 grams
IP Rating	Suitable for inside use. Dust tight.
Product Dimensions	Light fitting: Diameter: 120mm; Length: 240mm   Knob: Length: 115mm; Diameter: 66mm   Total drop height from plug to bottom of fitting: 2600mm   Distance from switch to light fitting: 750mm.
Materials	Cast aluminium Casing, Pressed and Blown Glass Diffuser, Nitrile Rubber Gasket, Stainless Steel Screws, Porcelain Lamp Holder, M20 Cable Gland, Fabric Coated Power Cord, Powder Coated Paint Finish, Anodised Machined Aluminium Knob, Laser Cut Steel Disk

## ELECTRICAL CHARACTERISTICS

Power	Depends on bulb
Voltage	230V
Current	Depends on bulb

## LUMINAIRE CHARACTERISTICS

Bulb Type	Edison Screw (E27) / Bayonet Cap (B22)
-----------	--

**BE INSPIRED FOR YOUR NEXT PROJECT.  
VISIT OUR SOCIAL MEDIA CHANNELS!**



@JG.COUGHTRIE

## SW-120 PLUG-IN WALL HANGING PENDANT, CLEAR

VARIATION	COLOUR	PRODUCT CODE
CLEAR GLASS, BAYONET CAP	Black	SW-120/B/CL/BC+PLUGINPENDANT
	White	SW-120/W/CL/BC+PLUGINPENDANT
	Antique Bronze	SW-120/BRONZE/CL/BC+PLUGINPENDANT
	Industrial Aluminium	SW-120/S/CL/BC+PLUGINPENDANT
	Gloss Grey	SW-120/G/CL/BC+PLUGINPENDANT
CLEAR GLASS, EDISON SCREW	Black	SW-120/B/CL/ES+PLUGINPENDANT
	White	SW-120/W/CL/ES+PLUGINPENDANT
	Antique Bronze	SW-120/BRONZE/CL/ES+PLUGINPENDANT
	Industrial Aluminium	SW-120/S/CL/ES+PLUGINPENDANT
	Gloss Grey	SW-120/G/CL/ES+PLUGINPENDANT





+44 (0) 141 882 3262



J&G COUGHTRIE  
69-71 MONTROSE AVENUE  
HILLINGTON, GLASGOW, G52 4LA



[sales@jgcoughtrie.com](mailto:sales@jgcoughtrie.com)