

J&G COUGHTRIE



SY-6 COMPACT OVAL LED BULKHEAD WITH CAGE

J&G COUGHTRIE

Trusted by our discerning customers for over eight decades, our UK-made industrial lighting features simple, geometric forms with enduring style and robust construction. Built to last a lifetime, our products are made from the finest quality materials, with the highest spec finishes - quite simply spiffing.



Made in Britain since 1939.

TRUSTED, TIMELESS & ENDURING.

Founded in 1939, by a pair of Glaswegian brothers, our original industrial lighting can still be found, working reliably, across the UK. Robust, and sustainably made, we're proud to continue a rich legacy in lighting, spanning over eight decades.

J&G Coughtrie lighting is expertly engineered in the UK, using the finest materials, and skillful craftsmanship. This helps our customers leave a sustainable legacy, with products reimagined, and redefined, for a modern audience, all while preserving traditional techniques, and values (the old adage, 'they don't make 'em like they used to, definitely doesn't apply to us).

Our lights are the product of over 80 years of experience, with manufacturing processes and craftsmanship refined through multiple generations, grounded in traditional handcrafting methods.

We work with our customers on a wide variety of ventures, from lighting schemes for conservation and restoration projects, to tailored light fittings for hotels, homes, offices, and hospitality venues - both inside, and out. We've also worked on a film, set or two, and know a thing or two about creating the right mood for any scene.

1. Recycled
Aluminium

2. Freshly cast
SY-6 Casing



1.



2.

Our light casings are cast from solid aluminium, with each piece hand finished to remove rough edges, before being powder coated to keep it looking pristine, for longer. Our local Mastercasters have been making Coughtrie casings for decades, some still using original tools from the 1940s and 1950s.

**“TRADITIONAL DESIGN, ENDURING CRAFTSMANSHIP.
COMBINING OVER 80 YEARS OF EXPERIENCE
PRODUCING TIMELESS INDUSTRIAL LIGHTING.”**

Our glass diffusers are custom designed, and moulded in thick, robust glass, diffusing the light evenly, and gently - regardless of the intensity of the bulb inside. Made with care, our glass translates love into light of the finest possible quality. Each of our lights is made to order, with an industry leading product time that sees us combine quality with speed - a rare feat in any industry.

Our lights are rigorously tested by our team before being shipped, many of whom have been with us for over 40 years, with invaluable experience honed over decades.

Quality guaranteed, our lighting range is built to last a lifetime, with each product made to order, individually hand-assembled, and quality checked at our factory in Glasgow. Enduring quality, our products are protected by up-gradable and replaceable technologies combined with rust protected casings to stand the test of time.

J&G Coughtrie has been following sustainable manufacturing and design practices for 80 years - because we believe that sustainable design is simply good design. Made within only recycled, and recyclable materials, our lights are designed for easy disassembly, using mechanical fixings that can be taken apart, repaired, and upgraded, rather than glue. Our suppliers are also locally based, helping to reduce our carbon footprint.

SY-6 COMPACT OVAL LED BULKHEAD WITH CAGE

With Cage, Indoor-Outdoor, Clear or Frosted

Featuring a robust, hand-formed steel cage atop of energy-efficient bulbs, our caged SY-6 LED Bulkhead is the ultimate cage-lighter, guaranteed to provide protection with poise, whatever is thrown at it. Compact, corrosion-resistant and dependable it's ideal for outdoor use where visibility is of the utmost importance and the environment unpredictable!



3. SY-6 Compact
Oval LED Bulkhead
with Cage, White

4. SY-6 Compact
Oval LED Bulkhead
with Cage, Antique
Bronze

3.



SY-6 COMPACT OVAL LED BULKHEAD WITH CAGE

1

3 POWER ACCESS PORTS

The SY-6 Bulkhead lighting range has power connection cable access at both rear, top, and bottom - choose the option that tickles your fancy.

2

HAND-FORMED CAGE

Mounted on the modular mounting lugs at the top and bottom of the light, this SY-6 Bulkhead comes fitted with a robust, hand-formed steel cage.

3

HAND PRESSED & BLOWN GLASS

With a thick, hand pressed and blown glass diffuser that features decorative ribs, and a Coughtrie brand mark, this is one stylish range of light fittings that refuse to blend in with the riff raff. Available in Clear or Frosted Glass.

4

TIMELESS STYLING

The simple, oval shape of the SY-6 Bulkhead light fitting is elegant and timeless yet fits with a range of different settings.

5

CAST ALUMINIUM CASING

The corrosion resistant aluminium casing of the SY-6 Bulkhead light fitting has been hand-cast by skilled craft workers in Glasgow. We've been doing it for 80 years, and we don't intend to stop any time soon!

6

ULTRA EFFICIENT 4W LEDS

The 4W LED array generates a bright, white, modern flood of light that provides extra clarity where required. They're also guaranteed 50,000 hours, before they need to be replaced.

5. SY-6 Compact
Oval LED Bulkhead
with Cage, Gloss
Grey



FALL IN LOVE AT FIRST MIGHT

Our compact caged Bulkhead lights have a range of attractions that make them an adaptable choice for a range of settings, both indoors, and outdoors. What's not to love?



6.

6. SY-6 Compact Oval LED Bulkhead with Cage, Gloss Grey

7. SY-6 Compact Oval LED Bulkhead with Cage, Black

8. SY-6 Compact Oval LED Bulkhead with Cage, Antique Bronze



7.

A Bulkhead Without Bounds

The flexible mounting points and compact size of the SY-6 Bulkhead allow it to be placed both indoors and outdoors, in a range of locations that might include mounting on posts to light driveways (park your Rolls Royce in style), overhead above doorways or garages, and illuminating side passageways.



8.

Caged And Compact

Hand formed from steel wire and welded to a laser cut steel base, the SY-6 cage is very robust and rated to IK10. Each cage is treated to prevent rusting and painted to match the casing colour. If purchased separately, the cage can be easily added to the modular mounting lugs at the top and bottom of the casing.

PAINTENTLY PERFECT



Gloss Grey



Black



Antique Bronze

Colour

The SY-6 lamp can be finished with a number of different options, to suit your flights of fancy. Choose from powder-coated paint in a range of colours or an industrial aluminium finish achieved with a clear, protective lacquer applied to the raw aluminium.

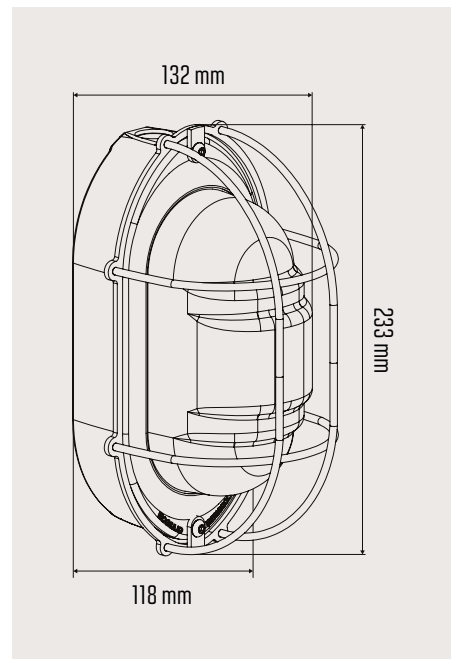
And with our bespoke finishing service, you'll also be able to specify a unique RAL colour, for powder coating.



White



Industrial Aluminium

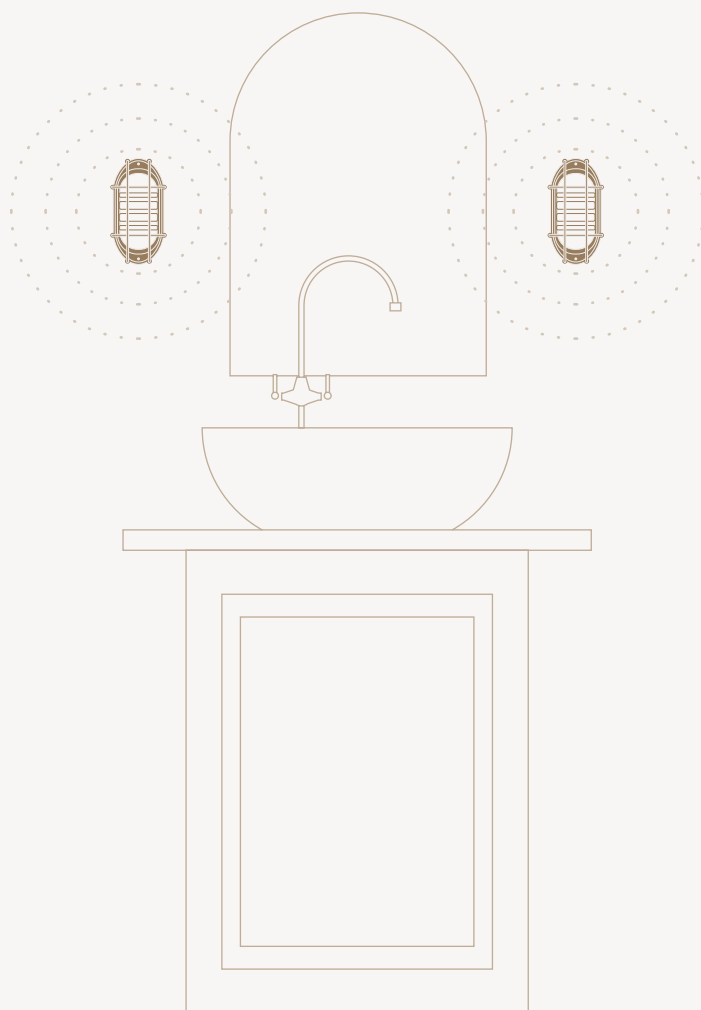


Any RAL Colour of Choice

Customise

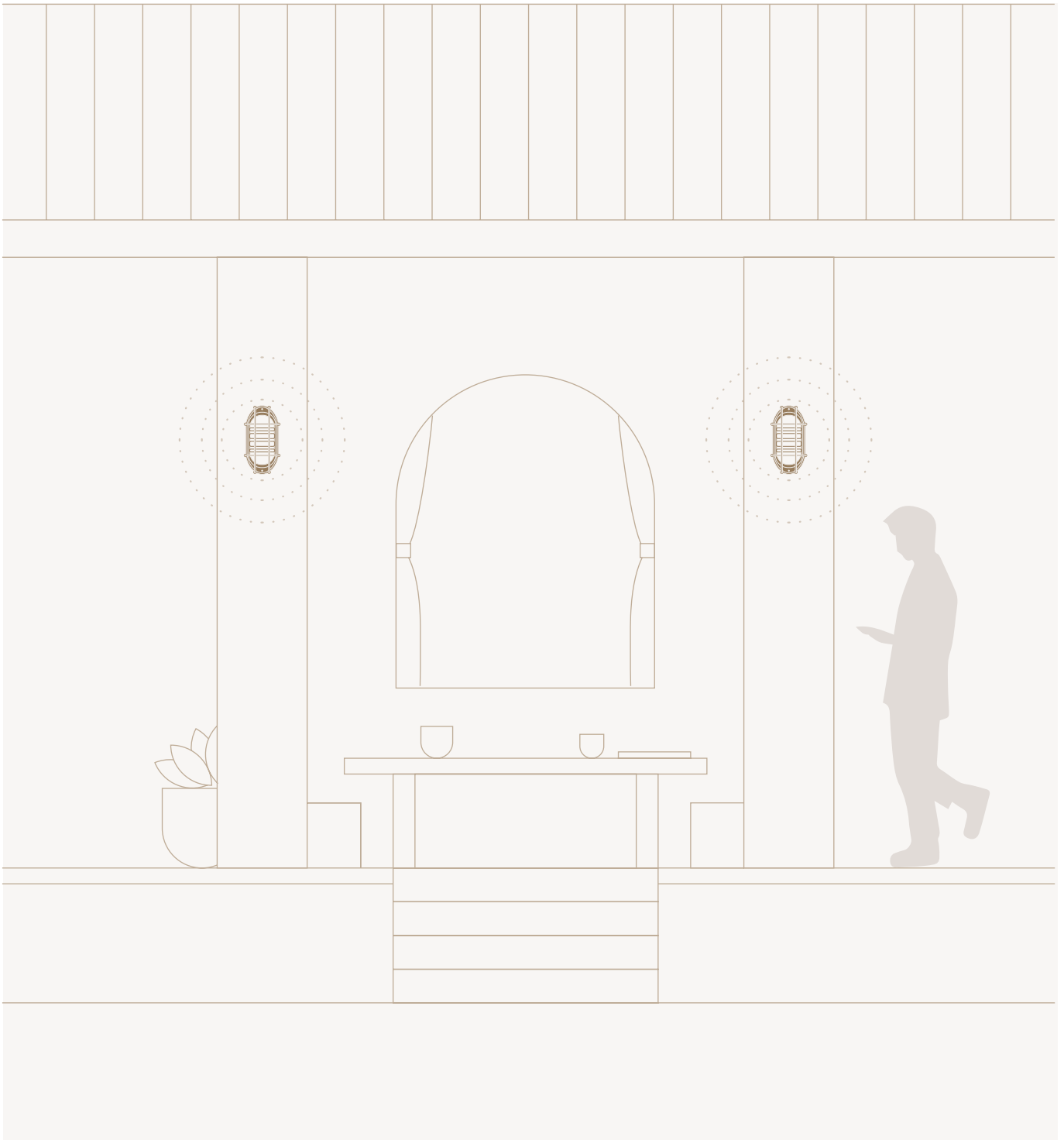
Specify Clear or Frosted Glass. Create your ideal LED specification, adding presence detection to optimise when your light is in use, or Emergency 3hr battery back-up for peace of mind in power cuts. The cage can also be purchased separately and fitted to existing SY-6 lights.

SY-6 COMPACT OVAL LED BULKHEAD WITH CAGE



BATHROOM BRILLIANCE

Brush your teeth with panache in front of your bathroom vanity, flanked by two SY-6 Bulkheads.



ALFRESCO ILLUMINATION

Keep outside evenings going when the sun goes down, with SY-6 Bulkheads on your garden sunroom.

80 YEARS OF SUSTAINABILITY



BUILT TO LAST.

Our lights are tough cookies, built to last and suitable for even the most extreme applications (or even a Hollywood set!)



LOCAL SUPPLIERS.

We have a long-standing policy of using suppliers and manufacturing within a 40 miles radius, keeping it local is keeping it sustainable.



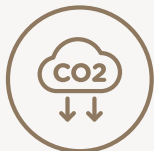
DESIGNED TO BE REPAIRED.

Our lights are designed to disassemble easily for repair or upgrade in the future as technology continues to improve.



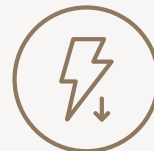
SUSTAINABLE PACKAGING.

Each light is lovingly wrapped in recycled paper padding shipped in recycled cardboard packaging.



LOW CARBON MATERIALS.

Where possible, we make our parts from low carbon materials that are recycled or can be recycled at end of life.



LOW ENERGY CONSUMPTION.

As lighting technology evolves, so do our lights. Now, we use low energy LED bulbs to minimise energy consumption.

PRODUCT INFORMATION

Weight	1200 grams
IP Rating	IP65: Suitable for inside or outside use in wet weather environments. IP rated as “dust tight” and protected against water projected from a nozzle.
Product Dimensions	Light fitting with cage: Length 233mm; Width 118mm; Depth: 132mm. Cage dimensions on its own: W: 118mm L: 233mm D: 90mm 200g
Materials	Cast Aluminium Casing; Pressed and Blown Glass Diffuser; Sheet Aluminium Gear Tray; TPU Gasket; Silicone Gasket; Steel Screws; CNC Sheet Steel Flanges; LED Bulbs & Driver; Powder Coated Paint / Aluminium Anodising Finishing.

ELECTRICAL CHARACTERISTICS

Power	4W
Voltage	230V
Current	0.017A

LUMINAIRE CHARACTERISTICS

LEDS	Variable	Efficacy	81.25lm/W
Driver	Constant Current	CRI	>80
Working Temperature	-25 to 50	CCT	4000K
Emergency Working Temperature	-5 to 50	Lifetime	50,000 hours
System Lumens	325lm		

PHOTOMETRIC DATA

Contact our Sales Team direct for any Photometric Data you may require.

**BE INSPIRED FOR YOUR NEXT PROJECT.
VISIT OUR SOCIAL MEDIA CHANNELS!**



@JG.COUGHTRIE

VARIATION	COLOUR	PRODUCT CODE
CLEAR GLASS, STANDARD	Black	SY6-4WLED/B/CL+GUARD
	White	SY6-4WLED/W/CL+GUARD
	Antique Bronze	SY6-4WLED/BRONZE/CL+GUARD
	Industrial Aluminium	SY6-4WLED/S/CL+GUARD
	Weathered Bronze	SY6-4WLED/WBRONZE/CL+GUARD
	Gloss Grey	SY6-4WLED/G/CL+GUARD
CLEAR GLASS, PRESENCE DETECTION	Black	SY6-4WLED+MWD(MS.021)/B/CL+GUARD
	White	SY6-4WLED+MWD(MS.021)/W/CL+GUARD
	Antique Bronze	SY6-4WLED+MWD(MS.021)/BRONZE/CL+GUARD
	Industrial Aluminium	SY6-4WLED+MWD(MS.021)/S/CL+GUARD
	Weathered Bronze	SY6-4WLED+MWD(MS.021)/WBRONZE/CL+GUARD
	Gloss Grey	SY6-4WLED+MWD(MS.021)/G/CL+GUARD
CLEAR GLASS, BATTERY BACKUP	Black	SY-6-4WLED+EMG(LiFePO4)/B/CL+GUARD
	White	SY-6-4WLED+EMG(LiFePO4)/W/CL+GUARD
	Antique Bronze	SY-6-4WLED+EMG(LiFePO4)/BRONZE/CL+GUARD
	Industrial Aluminium	SY-6-4WLED+EMG(LiFePO4)/S/CL+GUARD
	Weathered Bronze	SY-6-4WLED+EMG(LiFePO4)/WBRONZE/CL+GUARD
	Gloss Grey	SY-6-4WLED+EMG(LiFePO4)/G/CL+GUARD
FROSTED GLASS, STANDARD	Black	SY6-4WLED/B/FG+GUARD
	White	SY6-4WLED/W/FG+GUARD
	Antique Bronze	SY6-4WLED/BRONZE/FG+GUARD
	Industrial Aluminium	SY6-4WLED/S/FG+GUARD
	Weathered Bronze	SY6-4WLED/WBRONZE/FG+GUARD
	Gloss Grey	SY6-4WLED/G/FG+GUARD
FROSTED GLASS, PRESENCE DETECTION	Black	SY6-4WLED+MWD(MS.021)/B/FG+GUARD
	White	SY6-4WLED+MWD(MS.021)/W/FG+GUARD
	Antique Bronze	SY6-4WLED+MWD(MS.021)/BRONZE/FG+GUARD
	Industrial Aluminium	SY6-4WLED+MWD(MS.021)/S/FG+GUARD
	Weathered Bronze	SY6-4WLED+MWD(MS.021)/WBRONZE/FG+GUARD
	Gloss Grey	SY6-4WLED+MWD(MS.021)/G/FG+GUARD
FROSTED GLASS, BATTERY BACKUP	Black	SY-6-4WLED+EMG(LiFePO4)/B/FG+GUARD
	White	SY-6-4WLED+EMG(LiFePO4)/W/FG+GUARD
	Antique Bronze	SY-6-4WLED+EMG(LiFePO4)/BRONZE/FG+GUARD
	Industrial Aluminium	SY-6-4WLED+EMG(LiFePO4)/S/FG+GUARD
	Weathered Bronze	SY-6-4WLED+EMG(LiFePO4)/WBRONZE/FG+GUARD
	Gloss Grey	SY-6-4WLED+EMG(LiFePO4)/G/FG+GUARD
CAGE ON ITS OWN	Black	SY6-GUARD/B
	White	SY6-GUARD/W
	Antique Bronze	SY6-GUARD/BRONZE
	Industrial Aluminium	SY6-GUARD/S
	Gloss Grey	SY6-GUARD/G



SY-6 Compact Oval
LED Bulkhead with
Cage, White



+44 (0) 141 882 3262



J&G COUGHTRIE
69-71 MONTROSE AVENUE
HILLINGTON, GLASGOW, G52 4LA



sales@jgcoughtrie.com