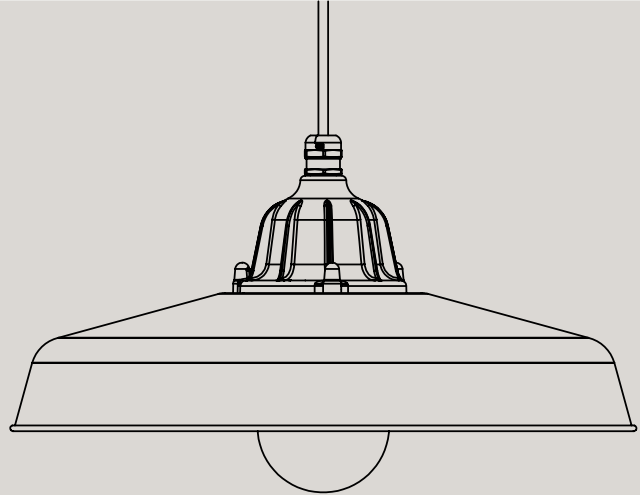


FITTING INSTRUCTIONS

SW-430 SHADE PENDANT

With Ceiling Rose, Indoor Use

Fusing the legendary SW-10 casing with a large aluminium spinning, our Ceiling Pendant revitalizes the classic industrial factory shade with a modern twist. Casting a wide, diffused light it's the perfect illumination solution that transcends trends.



WARNING

- **Installation should be carried out in accordance with current wiring & building regulations and by a competent person only**
- This light is rated dust tight for indoor use only.
- Earthed - only compatible with 3 core cable
- **Shut of power before installation, adjusting or handling**
- Ensure cables are secured in correct terminals
- Consider cord anchorage - terminals must be relieved from strain and twisting
- Do not exceed wattage specified on product label
- Light bulbs with higher thermal output may impair safety
- Always use fixings appropriate for your mounting surface

TOOLS REQUIRED

- 5mm ceiling mounting screws
- 5mm wall plugs
- Drill with 5mm (M5) drill bit
- Screwdriver to match ceiling screws
- M20 spanner (to tighten cable gland)

HANDLING & CLEANING

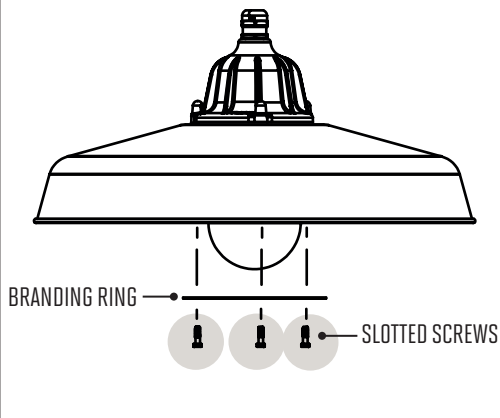
WARNING: Shut off power

- Wipe gently with a dry, soft, cotton cloth
- Cleaning products, scratching, abrasion, damp, oils, liquids etc may have a detrimental effect

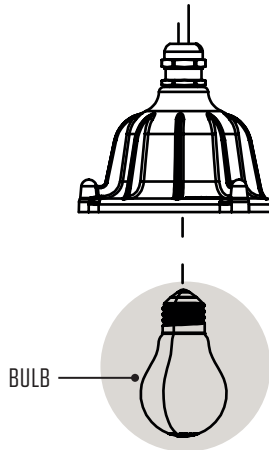
SW-430 SHADE PENDANT

FITTING INSTRUCTIONS

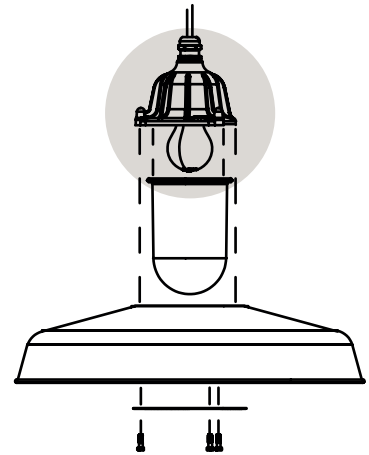
FITTING THE LIGHT BULB



Unscrew the 3 slotted screws on the branding ring.

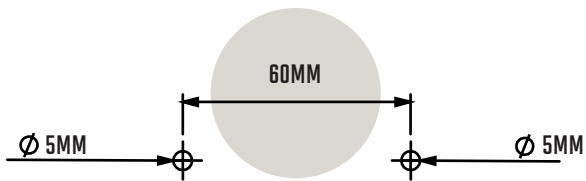


Insert Bulb into lamp holder.



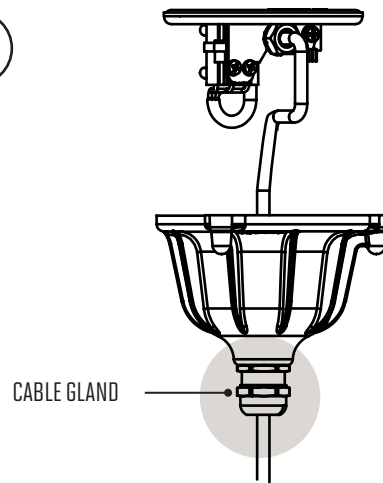
Screw glass diffuser, shade and ring back into place with (3) screws.

1



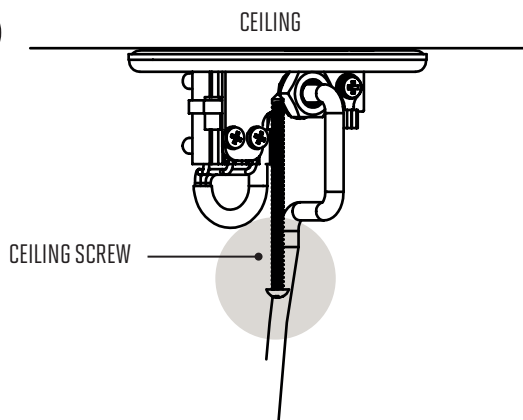
TURN OFF MAINS POWER. Measure, mark and drill 2 x 5mm diameter holes, 60mm apart in ceiling.

2



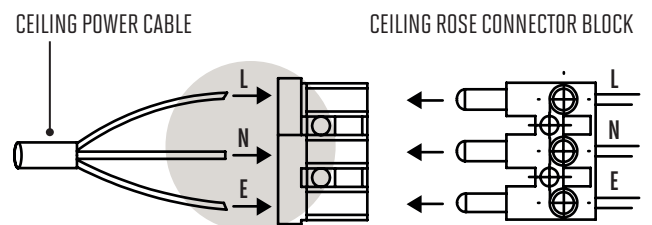
Loosen the cable gland on the ceiling rose and slide down to reveal the ceiling rose gear tray.

3



Pass the ceiling power cable through the gear tray and screw the tray to the ceiling.

4

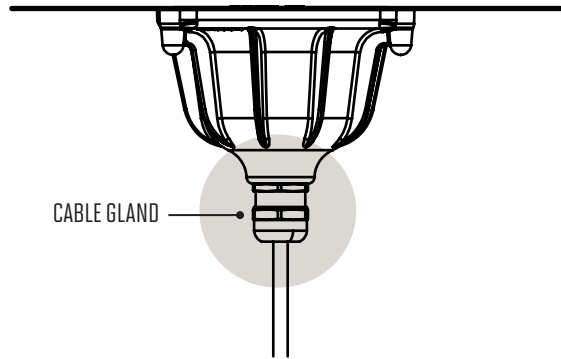


Wire ceiling power cable into the bare connector block. Ensure the live, neutral and earth wires match.

SW-430 SHADE PENDANT

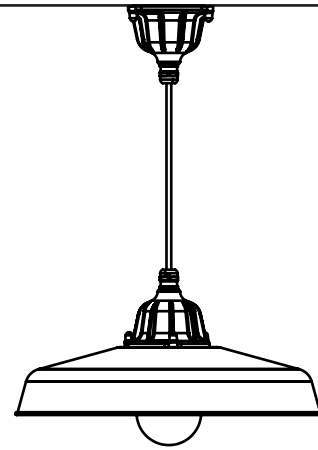
FITTING INSTRUCTIONS

5



Slide ceiling rose up over gear tray. Maintain upward pressure. Tighten cable gland with M20 Spanner.

6



TURN MAINS POWER BACK ON and test light.

TECHNICAL INFORMATION

PRODUCT INFORMATION

Product Materials	Cast aluminium Casing, Spun Aluminium Shade, Pressed and Blown Glass Diffuser, Nitrile Rubber Gasket, Stainless Steel Screws, Porcelain Lamp Holder, M20 Cable Gland, Fabric Coated Power Cord, Powder Coated Paint Finish.
Product Dimensions	Light fitting: Diameter 430mm; Length: 245mm. Cord Length: 1000mm Ceiling Rose: Diameter 120mm; Depth: 80mm Total drop height from ceiling to bottom of fitting: 1320mm
Product Weight	2000 grams.
Certification	CE. UKCA. BS EN60598-2-1.
IP Rating	Suitable for inside use. Dust tight.

LUMINAIRE CHARACTERISTICS

Bulb Type	Edison Screw (E27) / Bayonet Cap (B22).
------------------	---

ELECTRICAL CHARACTERISTICS

Power	Dependent on bulb used.
Voltage	230V
Current	Dependent on bulb used.

INSTRUCTIONS FOR THE FOLLOWING PRODUCTS

	CLEAR GLASS		FROSTED GLASS	
	BAYONET CAP	EDISON SCREW	BAYONET CAP	EDISON SCREW
Black	SW-430/B/CL/BC	SW-430/B/CL/ES	SW-430/B/FG/BC	SW-430/B/FG/ES
White	SW-430/W/CL/BC	SW-430/W/CL/ES	SW-430/W/FG/BC	SW-430/W/FG/ES
Antique Bronze	SW-430/BRONZE/CL/BC	SW-430/BRONZE/CL/ES	SW-430/BRONZE/FG/BC	SW-430/BRONZE/FG/ES
Industrial Aluminium	SW-430/S/CL/BC	SW-430/S/CL/ES	SW-430/S/FG/BC	SW-430/S/FG/ES
Gloss Grey	SW-430/G/CL/BC	SW-430/G/CL/ES	SW-430/G/FG/BC	SW-430/G/FG/ES



PLACE AN ORDER

[JGCOUGHTRIE.COM](https://www.jgoughtrie.com)

GIVE US A CALL

+44 (0) 141 882 3262
INFO@COUGHTRIE.COM

DROP BY

J&G COUGHTRIE
69-71 MONTROSE AVENUE
HILLINGTON, GLASGOW, G52 4LA