

J&G
COUGHTRIE



AW2024/2025 LIGHTING COLLECTION



J&G COUGHTRIE

J&G COUGHTRIE

Trusted by our discerning customers for over eight decades, our UK-made industrial lighting features simple, geometric forms with enduring style and robust construction. Built to last a lifetime, our products are made from the finest quality materials, with the highest spec finishes - quite simply spiffing.



Made in Britain since 1939.



CONTENTS

06 OUR STORY

08 OUR DIFFERENCE

10 OUR SUSTAINABILITY

12 OUR COLLECTIONS

C1 WALL LIGHTS

C2 CORNER LIGHTS

C3 LARGE BULKHEADS

C4 COMPACT BULKHEADS

C5 PENDANTS

C6 PLUG-IN LIGHTS

TRUSTED, TIMELESS & ENDURING.

Founded in 1939, by a pair of Glaswegian brothers, our original industrial lighting can still be found, working reliably, across the UK. Robust, and sustainably made, we're proud to continue a rich legacy in lighting, spanning over eight decades.

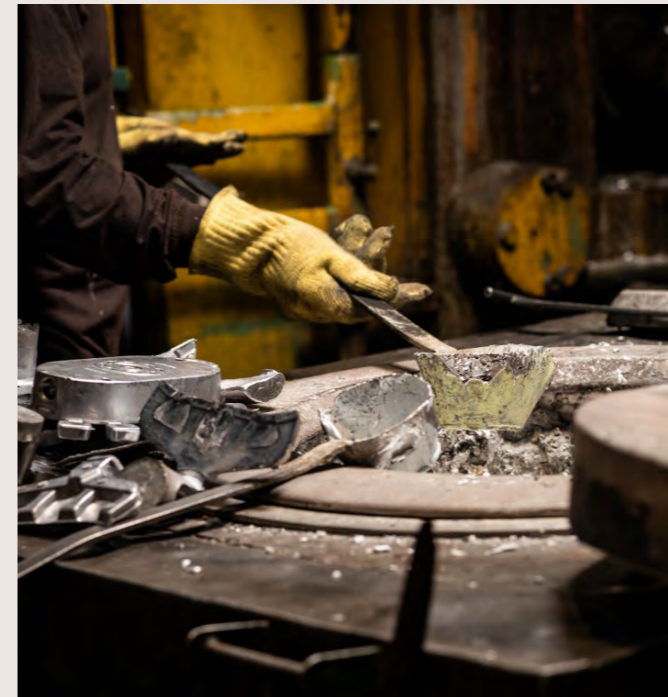
J&G Coughtrie lighting is expertly engineered in the UK, using the finest materials, and skillful craftsmanship. This helps our customers leave a sustainable legacy, with products reimagined, and redefined, for a modern audience, all while preserving traditional techniques, and values (the old adage, 'they don't make 'em like they used to, definitely doesn't apply to us).

Our lights are the product of over 80 years of experience, with manufacturing processes and craftsmanship refined through multiple generations, grounded in traditional handcrafting methods.

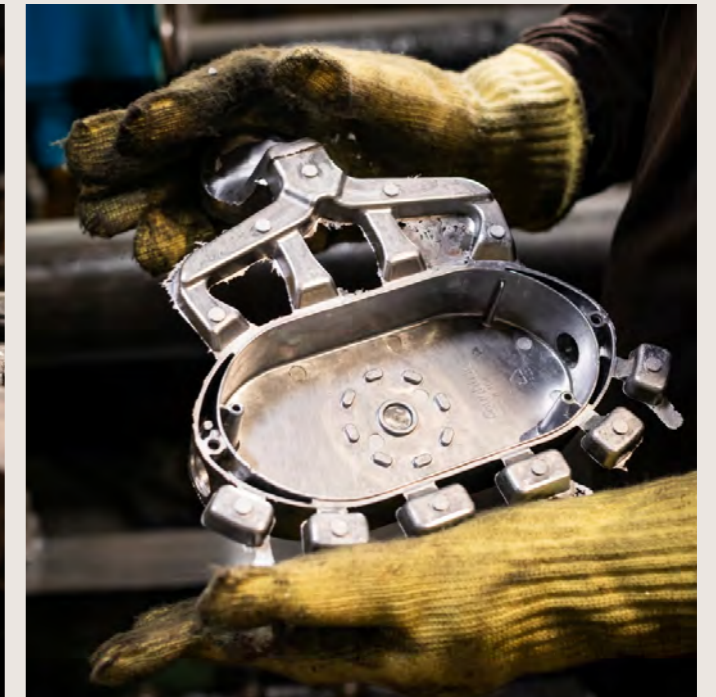
We work with our customers on a wide variety of ventures, from lighting schemes for conservation and restoration projects, to tailored light fittings for hotels, homes, offices, and hospitality venues - both inside, and out. We've also worked on a film, set or two, and know a thing or two about creating the right mood for any scene.

1. Recycled Aluminium

2. Freshly cast SY-6 Casing



1.



2.

Our light casings are cast from solid aluminium, with each piece hand finished to remove rough edges, before being powder coated to keep it looking pristine, for longer. Our local Mastercasters have been making Coughtrie casings for decades, some still using original tools from the 1940s and 1950s.

“TRADITIONAL DESIGN, ENDURING CRAFTSMANSHIP. COMBINING OVER 80 YEARS OF EXPERIENCE PRODUCING TIMELESS INDUSTRIAL LIGHTING.”

Our glass diffusers are custom designed, and moulded in thick, robust glass, diffusing the light evenly, and gently - regardless of the intensity of the bulb inside. Made with care, our glass translates love into light of the finest possible quality. Each of our lights is made to order, with an industry leading product time that sees us combine quality with speed - a rare feat in any industry.

Our lights are rigorously tested by our team before being shipped, many of whom have been with us for over 40 years, with invaluable experience honed over decades.

Quality guaranteed, our lighting range is built to last a lifetime, with each product made to order, individually hand-assembled, and quality checked at our factory in Glasgow. Enduring quality, our products are protected by up-gradable and replaceable technologies combined with rust protected casings to stand the test of time.

J&G Coughtrie has been following sustainable manufacturing and design practices for 80 years - because we believe that sustainable design is simply good design. Made within only recycled, and recyclable materials, our lights are designed for easy disassembly, using mechanical fixings that can be taken apart, repaired, and upgraded, rather than glue. Our suppliers are also locally based, helping to reduce our carbon footprint.

HERE'S WHAT MAKES OUR LIGHTING SHINE



QUALITY GUARANTEED

Our lighting range is built to last a lifetime, with each product made to order, individually hand-assembled, and quality checked at our factory in Glasgow.



SUSTAINABLE AS STANDARD

Made within only recycled, and recyclable materials, our lights are designed for easy disassembly, using mechanical fixings that can be taken apart, repaired, and upgraded, rather than glue. Our suppliers are also locally based, helping to reduce our carbon footprint.



VERSATILE MOUNTING

Each collection comes with a variety of brackets, for versatile mounting options. Our products are also waterproof, and corrosion resistant, enabling them to be used indoors, and outdoors, and in extreme environments like a Glaswegian public house).



WATERPROOF

With high performance gaskets to seal lights to IP65, and IP66, our range can be used with total confidence outside, in bathrooms, or in maritime environments. Ahoy there!



ENERGY EFFICIENT

All of our collections can be supplied with low energy LEDs, if desired, along with further energy optimising control sensors - that's our commitment to energy efficiency.



FULLY CUSTOMISABLE

Each and every light is made to order, with a modular design that enables different accessories to be added and adapted in their function and mounting. Any RAL colour can also be specified.



RUSTPROOF

With corrosion-resistant aluminium casing and components, our lighting choices are functional even in extreme naval operations! Popeye would be proud.



FUTURE PROOF

With robust aluminium casings, and easy disassembly, combined with modular external accessories and internal components that can be upgraded with emerging LED tech, our products both stand the test of time, and evolve with changing times.



80 YEARS OF SUSTAINABILITY



BUILT TO LAST.

Our lights are tough cookies, built to last and suitable for even the most extreme applications (or even a Hollywood set!)



LOCAL SUPPLIERS.

We have a long-standing policy of using suppliers and manufacturing within a 40 miles radius, keeping it local is keeping it sustainable.



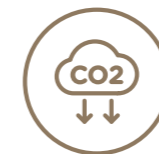
DESIGNED TO BE REPAIRED.

Our lights are designed to disassemble easily for repair or upgrade in the future as technology continues to improve.



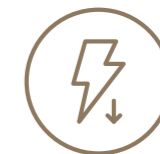
SUSTAINABLE PACKAGING

Each light is lovingly wrapped in recycled paper padding shipped in recycled cardboard packaging.



LOW CARBON MATERIALS

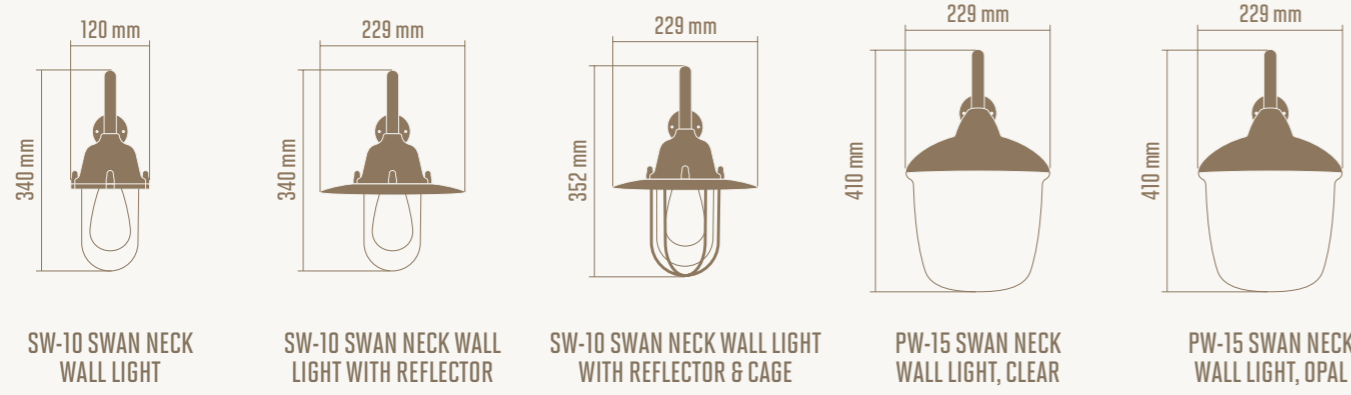
Where possible, we make our parts from low carbon materials that are recycled or can be recycled at end of life.



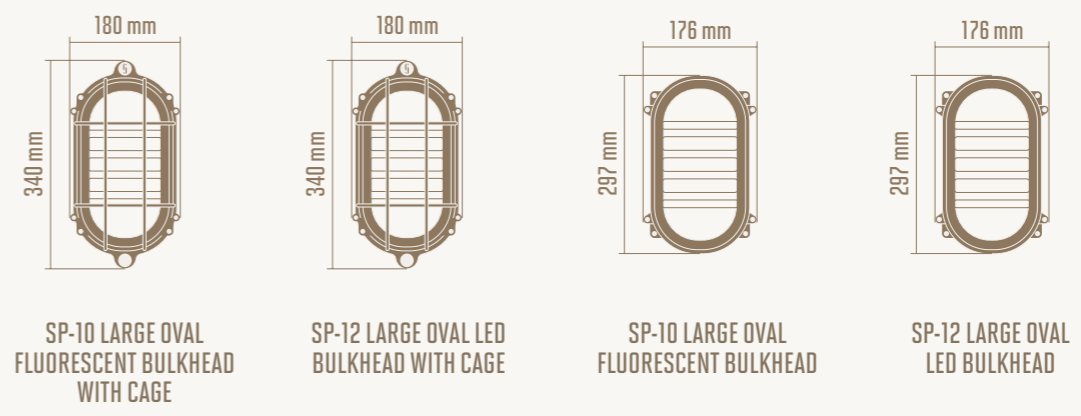
LOW ENERGY CONSUMPTION

As lighting technology evolves, so do our lights. Now, we use low energy LED bulbs to minimise energy consumption.

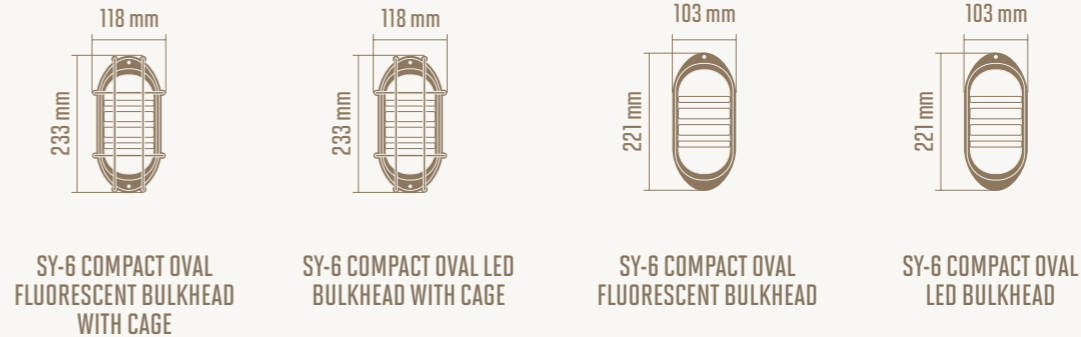
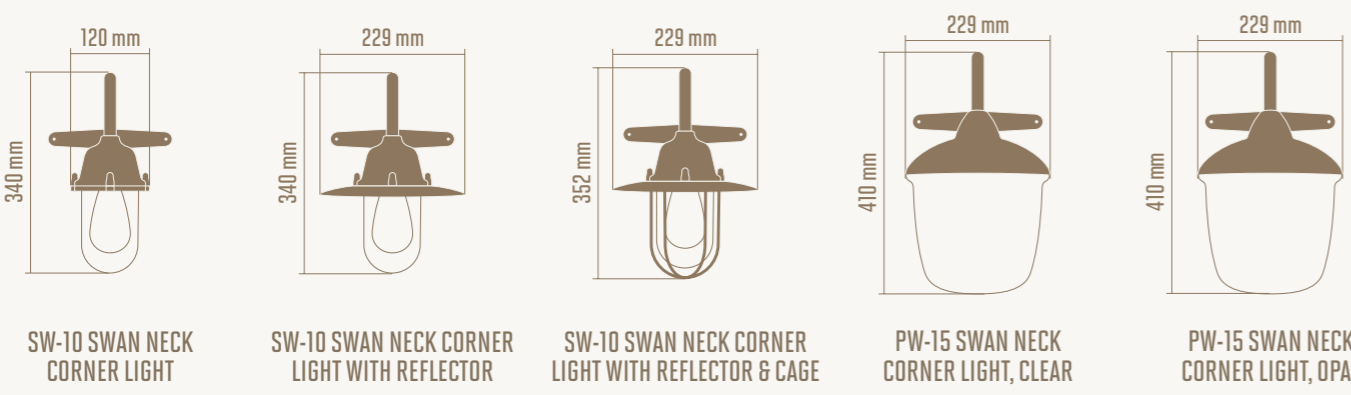
WALL LIGHTS



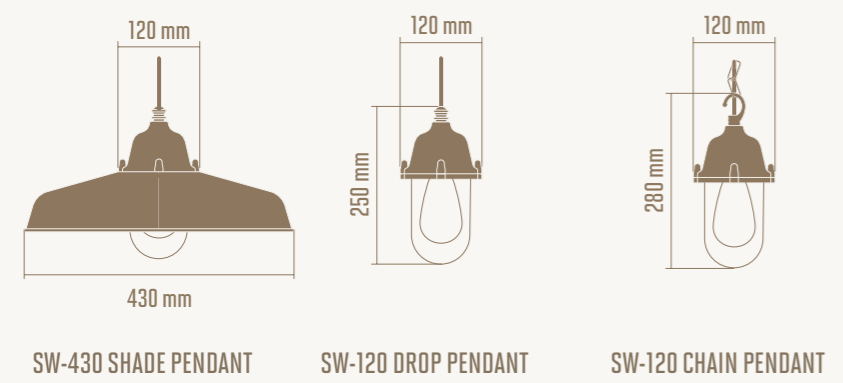
BULKHEADS - LARGE & COMPACT




CORNER LIGHTS



PENDANTS

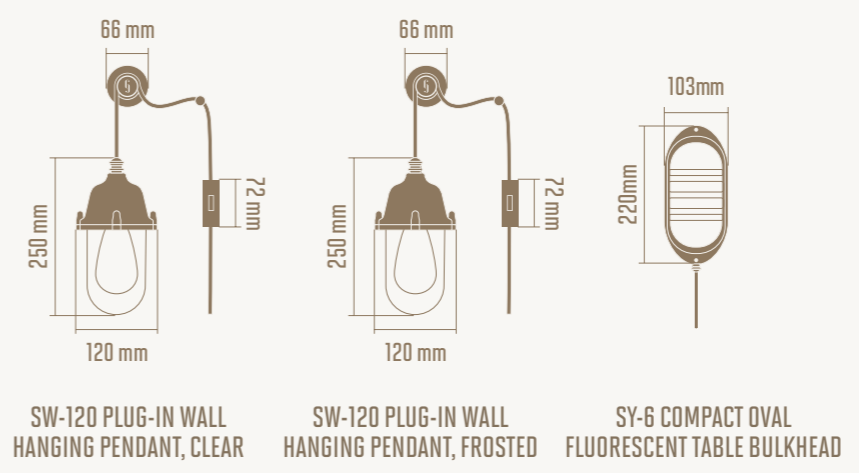





SIZED TO SUIT

This is a showcase of all of our lights to relative scale along with their overall dimensions.

PLUG-IN LIGHTS





5 COLLECTIONS

We have five different types of light, wall lights, corner lights, pendants, bulkheads and plug-in lights. Our lights work in a range of different environments.



COLLECTION 1:

WALL LIGHTS

- 01 SW-10 SWAN NECK WALL LIGHT
- 02 SW-10 SWAN NECK WALL LIGHT WITH REFLECTOR
- 03 SW-10 SWAN NECK WALL LIGHT WITH REFLECTOR & CAGE
- 04 PW-15 SWAN NECK WALL LIGHT, CLEAR
- 05 PW-15 SWAN NECK WALL LIGHT, OPAL

SW-10 SWAN NECK WALL LIGHT

Standard, Indoor-Outdoor

Launched in 1960, the SW-10 wall light casts an imposing, iconic figure, with its fluted head, sweeping swan neck, and aluminium wall mount. Our bestselling overhead light, this is a rebellious piece, with timeless style.



3. SW-10 Swan Neck Wall Light, White

4. SW-10 Swan Neck Wall Light, Gloss Grey

3.



4.

1

SWEEPING SWAN NECK

The hand bent S shaped bracket elegantly directs light away from the wall.

2

CAST WALL MOUNT

Our cast aluminium wall mount keeps the SW-10 securely fixed with only 2 screws, whatever the weather throws at it.

3

FLUTED FINS

The iconic fluted fins on the light casing add elegant strength and protection.

4

DOMED SCREW MOUNTS

Three equally spaced mounting points allow modular accessories to be fixed to the SW, both adapting its look, and extending its functionality.

5

PORCELAIN LAMP HOLDER

Your SW-10 can be supplied with a Bayonet Cap or Edison Screw lamp holder, to fit an E27 or B22 bulb.

6

WELLGLASS DIFFUSER

Each SW-10 comes with a thick hand pressed and blown Wellglass diffuser that keeps your light watertight, and gently diffuses the light emitted. Available in Clear or Frosted Glass.



5.

FALL IN LOVE AT FIRST LIGHT

Iconic, imposing and utterly fantastic, see why the J&G Coughtrie Swan Neck Wall light has swept across the UK since 1960.



6.

6. SW-10 Swan Neck Wall Light, Industrial Aluminium



7.

A Head For Lights

The sweeping swan neck makes the SW-10 perfect for casting light downwards to illuminate doorways, windows, or outbuildings. Alternatively, place in an indoor setting to create an intimate atmosphere, whether above a table in a cosy restaurant, or to cast light along a gloomy passageway. The world is your lobster!

7. SW-10 Swan Neck Wall Light, Antique Bronze



8.

Cast To Last

Each part of the SW-10's robust casing is hand cast from solid aluminium, fitting together as part of an upgradable modular system. Rugged, and rain resistant, the SW-10 is built to last, with a tip top performance, even in the most inclement British weather!

8. SW-10 Swan Neck Wall Light, Black

FINISHED TO YOUR FANCY



Gloss Grey



Black



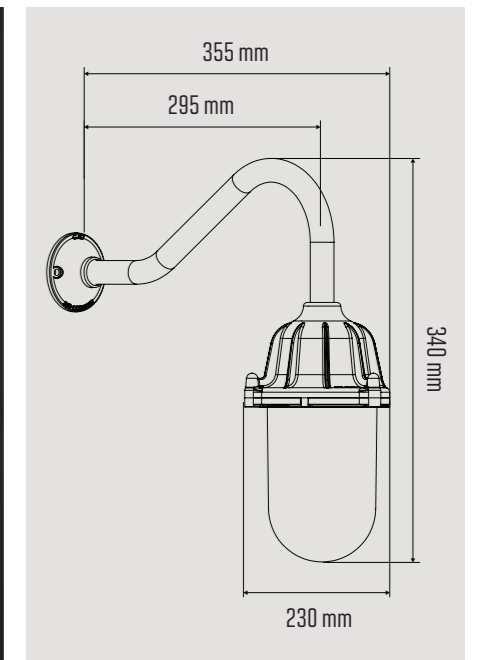
Antique Bronze



White



Industrial Aluminium



Any RAL Colour of Choice

Colour

The SW-10 can be finished with several different options, to suit your flights of fancy, from powder-coated paint in a range of colours, to an industrial aluminium finish which simply has a clear, protective lacquer applied to achieve that raw, manufactured industrial look, creating an unique

and distinct finish each time. With our bespoke finishing service, you'll also be able to specify a unique RAL colour, for any powder coating.

Customise

Create your ideal SW-10 specification by choosing the fitting type for your bulb (Bayonet Cap or Edison Screw) and specifying Clear or Frosted Wellglass Diffuser.

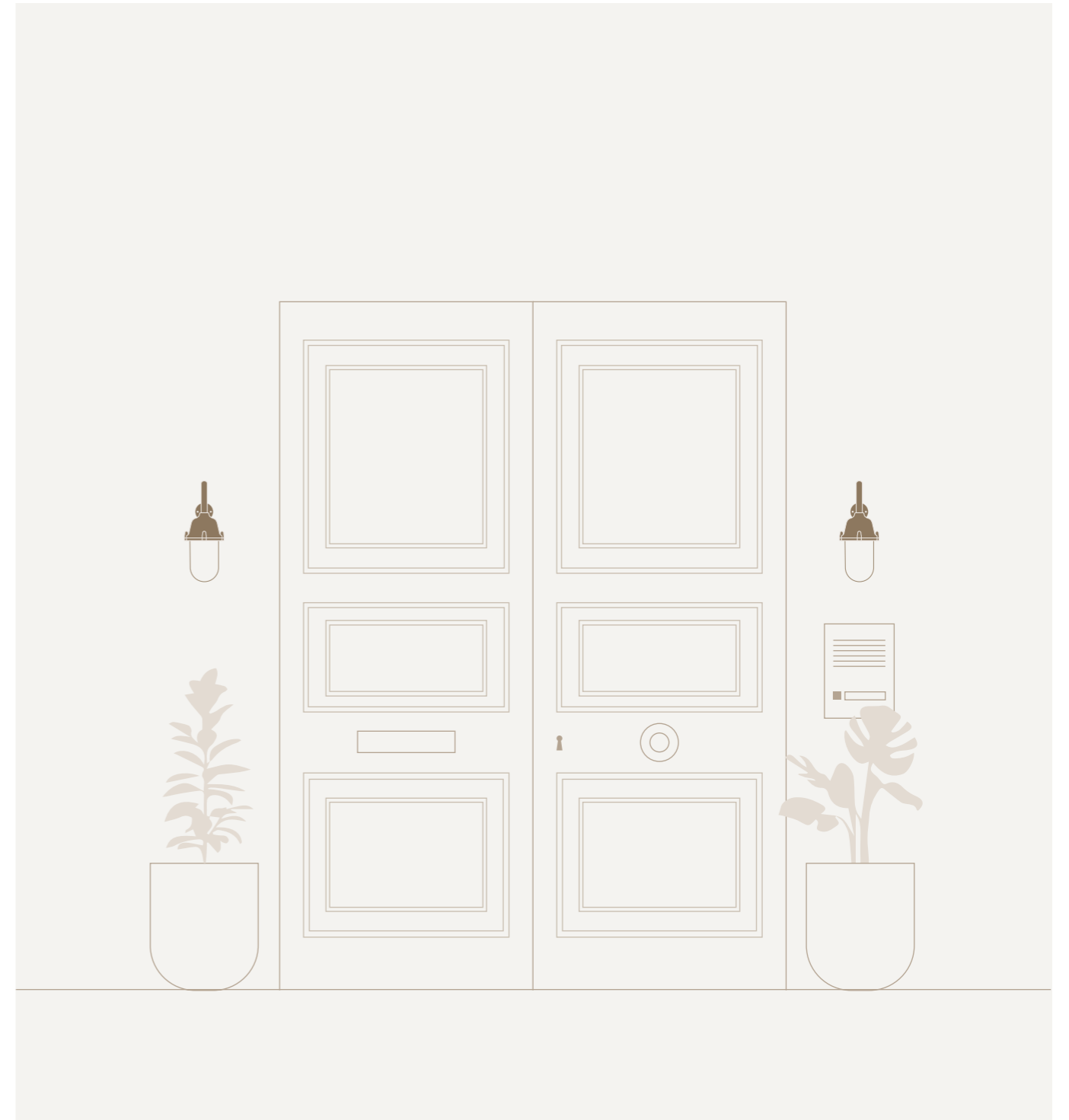
SW-10 SWAN NECK WALL LIGHT



PERFECT POOLROOMS

Make a splash with a pair of SW-10 Wall Lights on your Garden Poolroom.

J&G COUGHTRIE



BOULEVARD BRILLIANCE

Make an unforgettable entrance with a pair of SW-10 Wall Lights to frame your doorway.

80 YEARS OF SUSTAINABILITY



BUILT TO LAST.

Our lights are tough cookies, built to last and suitable for even the most extreme applications (or even a Hollywood set!)



LOCAL SUPPLIERS.

We have a long-standing policy of using suppliers and manufacturing within a 40 miles radius, keeping it local is keeping it sustainable.



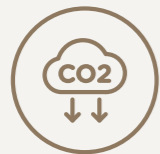
DESIGNED TO BE REPAIRED.

Our lights are designed to disassemble easily for repair or upgrade in the future as technology continues to improve.



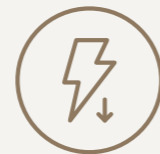
SUSTAINABLE PACKAGING

Each light is lovingly wrapped in recycled paper padding shipped in recycled cardboard packaging.



LOW CARBON MATERIALS

Where possible, we make our parts from low carbon materials that are recycled or can be recycled at end of life.



LOW ENERGY CONSUMPTION

As lighting technology evolves, so do our lights. Now, we use low energy LED bulbs to minimise energy consumption.

PRODUCT INFORMATION

Weight	1500 grams
IP Rating	IP65: Suitable for inside or outside use in wet weather environments. IP rated as "dust tight" and protected against water projected from a nozzle.
Product Dimensions	Overall dimensions: Width: 120mm; Length: 340mm; Depth: 355mm // From wall to middle of light fitting: 295mm.
Materials	Cast Aluminium Casing; Formed Aluminium Tube Swan Neck; Pressed And Blown Glass Diffuser; TPU Gasket; Steel Screws; Porcelain Lamp Holder; Powder Coated Paint / Aluminium Anodising Finishing.

ELECTRICAL CHARACTERISTICS

Power	Depends on bulb
Voltage	230V
Current	Depends on bulb

LUMINAIRE CHARACTERISTICS

Bulb Type	Edison Screw (E27) / Bayonet Cap (B22)
-----------	--

BE INSPIRED FOR YOUR NEXT PROJECT.
VISIT OUR SOCIAL MEDIA CHANNELS!



@JG.COUGHTRIE

VARIATION	COLOUR	PRODUCT CODE
CLEAR GLASS, BAYONET CAP	Black	SW-10/B/CL/BC/WALLKIT
	White	SW-10/W/CL/BC/WALLKIT
	Antique Bronze	SW-10/BRONZE/CL/BC/WALLKIT
	Industrial Aluminium	SW-10/S/CL/BC/WALLKIT
	Gloss Grey	SW-10/G/CL/BC/WALLKIT
CLEAR GLASS, EDISON SCREW	Black	SW-10/B/CL/ES/WALLKIT
	White	SW-10/W/CL/ES/WALLKIT
	Antique Bronze	SW-10/BRONZE/CL/ES/WALLKIT
	Industrial Aluminium	SW-10/S/CL/ES/WALLKIT
	Gloss Grey	SW-10/G/CL/ES/WALLKIT
FROSTED GLASS, BAYONET CAP	Black	SW-10/B/FG/BC/WALLKIT
	White	SW-10/W/FG/BC/WALLKIT
	Antique Bronze	SW-10/BRONZE/FG/BC/WALLKIT
	Industrial Aluminium	SW-10/S/FG/BC/WALLKIT
	Gloss Grey	SW-10/G/FG/BC/WALLKIT
FROSTED GLASS, EDISON SCREW	Black	SW-10/B/FG/ES/WALLKIT
	White	SW-10/W/FG/ES/WALLKIT
	Antique Bronze	SW-10/BRONZE/FG/ES/WALLKIT
	Industrial Aluminium	SW-10/G/FG/ES/WALLKIT
	Gloss Grey	SW-10/G/FG/ES/WALLKIT



9. SW-10 Swan Neck Wall Light, Black

9.

SW-10 SWAN NECK WALL LIGHT WITH REFLECTOR

With Reflector, Indoor-Outdoor Use

If focused downlighting is important to your scheme, the SW-10 wall light with reflector is the order of the day. Pip pip! The gently tapered cast aluminium reflector is combined with the SW's iconic fluted case, to cut an elegant yet practical silhouette on gloomy British nights!



3. SW-10 Swan Neck Wall Light With Reflector, Industrial Aluminium

4. SW-10 Swan Neck Wall Light With Reflector, Black

3.



4.

1

SWEEPING SWAN NECK

The hand bent S shaped bracket elegantly directs light away from the wall for a harmonious glow.

2

CAST WALL MOUNT

Our cast aluminium wall mount keeps the SW-10 securely fixed with just 2 screws, whatever the British weather throws at it.

3

FLUTED FINS

The iconic fluted fins on the light casing add elegant strength, and protection, to the SW.

4

CAST REFLECTOR

The 230mm diameter cast aluminium reflector focuses light downwards from the SW-10.

5

PORCELAIN LAMP HOLDER

Your SW-10 can be supplied with a Bayonet Cap (B22), or Edison Screw (E27) lamp.

6

WELLGLASS DIFFUSER

Each SW-10 comes with a thick hand pressed and blown Wellglass diffuser to keep your light watertight for outdoor or bathroom use, and to gently diffuse the light emitted. Specify in clear or frosted.



5.

FALL IN LOVE AT FIRST LIGHT

Downcast, cast-to-last, last-light-standing - see why the J&G Coughtrie SW-10 Swan Neck Wall Light with Reflector puts other lights in the shade.



6.

6. SW-10 Swan Neck Wall Light With Reflector, Industrial Aluminium



7.

Down Lighting

Keen to reduce light pollution? Or perhaps you're more focussed on downlighting? Choose the optional cast aluminium reflector to direct light from the SW-10 downwards, forming a controlled pool of illumination. Used outside above porches, the reflector shades the light from wind and rain, inside the 'over table' or 'seating' reflector adds a feeling of seclusion.

7. SW-10 Swan Neck Wall Light With Reflector, Black



8.

Cast To Last

Both the casing and the reflector are cast from solid aluminium and shaped to fit together as part of an upgradable modular system. Rugged, robust, and rain resistant, the SW-10 is built to last, and perform, however inclement the British weather!

8. SW-10 Swan Neck Wall Light With Reflector, Antique Bronze

FINISHED TO YOUR FANCY



Gloss Grey



Black



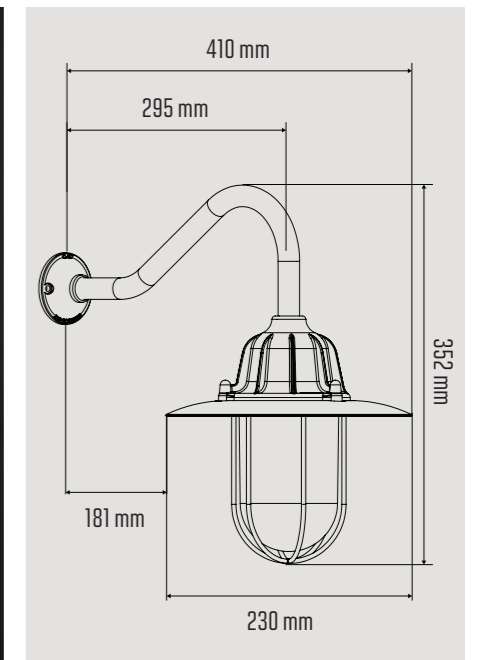
Antique Bronze



White



Industrial Aluminium



Any RAL Colour of Choice

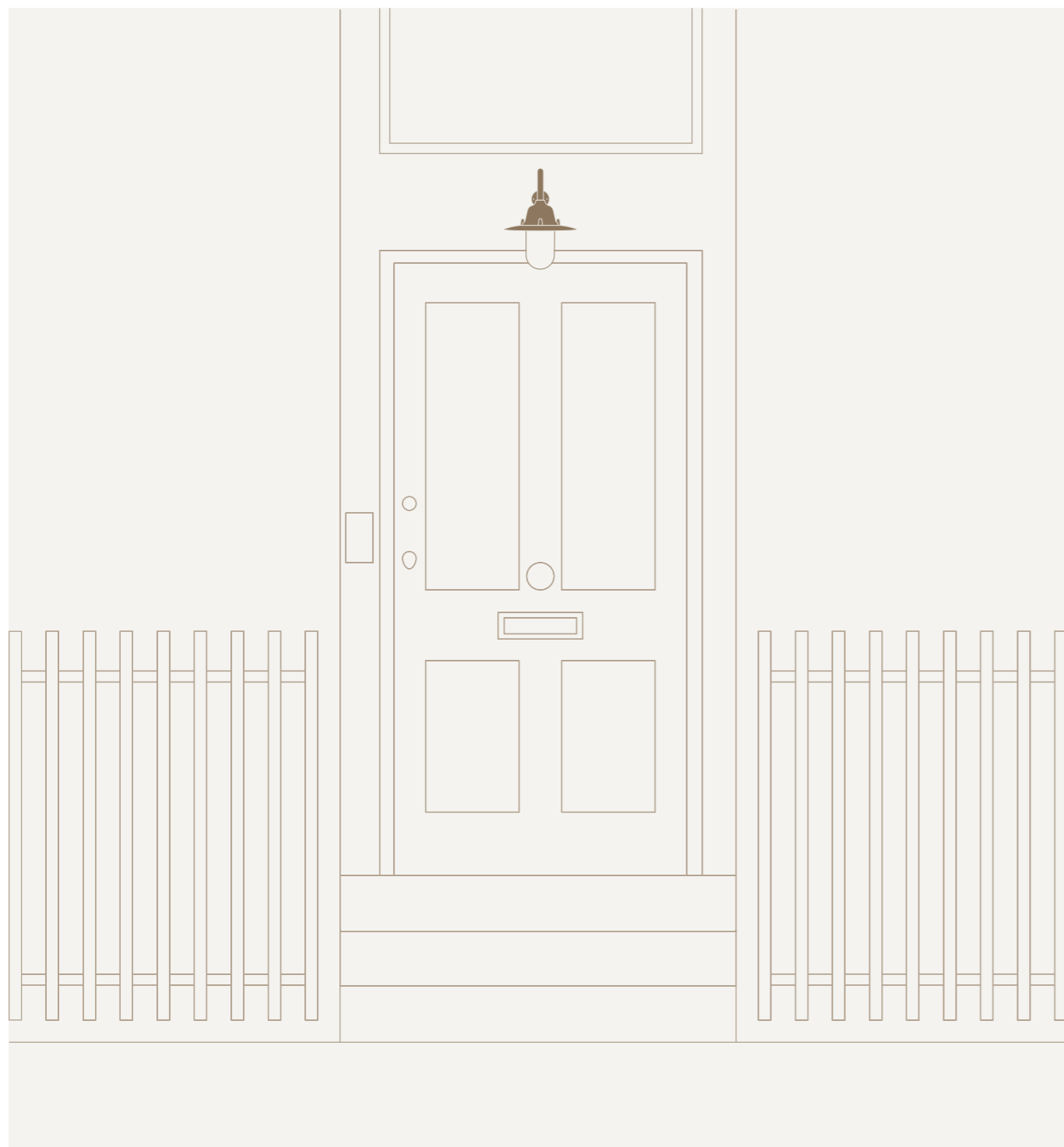
Colour

The SW-10 can be finished with several different options, to suit your flights of fancy, from powder-coated paint in a range of colours, to an industrial aluminium finish which simply has a clear, protective lacquer applied to achieve that raw, manufactured industrial look, creating an unique

and distinct finish each time. With our bespoke finishing service, you'll also be able to specify a unique RAL colour, for any powder coating.

Customise

Customise to suit your lighting scheme, with Clear or Frosted Wellglass Diffuser and Edison Screw or Bayonet Cap lamp holder.



TOP TOWNHOUSES

Be the talk of the town but keep the wildlife from wailing, with an SW-10 Wall light that keeps light reflected down just over your doorway.



GRAND GATEWAYS

Top off your Gateway with more sophistication than Fred Astaire in a Top Hat, with a SW-10 Wall Light plus Reflector.

80 YEARS OF SUSTAINABILITY



BUILT TO LAST.

Our lights are tough cookies, built to last and suitable for even the most extreme applications (or even a Hollywood set!)



LOCAL SUPPLIERS.

We have a long-standing policy of using suppliers and manufacturing within a 40 miles radius, keeping it local is keeping it sustainable.



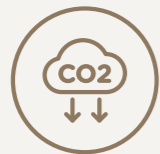
DESIGNED TO BE REPAIRED.

Our lights are designed to disassemble easily for repair or upgrade in the future as technology continues to improve.



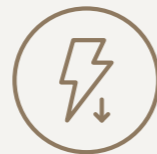
SUSTAINABLE PACKAGING

Each light is lovingly wrapped in recycled paper padding shipped in recycled cardboard packaging.



LOW CARBON MATERIALS

Where possible, we make our parts from low carbon materials that are recycled or can be recycled at end of life.



LOW ENERGY CONSUMPTION

As lighting technology evolves, so do our lights. Now, we use low energy LED bulbs to minimise energy consumption.

PRODUCT INFORMATION

Weight	1500 grams
IP Rating	IP65: Suitable for inside or outside use in wet weather environments. IP rated as "dust tight" and protected against water projected from a nozzle
Product Dimensions	Overall dimensions: Width: 230mm; Length: 340mm; Depth: 410mm // From wall to edge of Reflector: 181mm // From wall to middle of light fitting: 295mm // Reflector diameter: 230mm.
Materials	Cast Aluminium Casing; Formed Aluminium Tube Swan Neck; Pressed And Blown Glass Diffuser; TPU Gasket; Steel Screws; Porcelain Lamp Holder; Powder Coated Paint.

ELECTRICAL CHARACTERISTICS

Power	Depends on bulb
Voltage	230V
Current	Depends on bulb

LUMINAIRE CHARACTERISTICS

Bulb Type	Edison Screw (E27) / Bayonet Cap (B22)
-----------	--

BE INSPIRED FOR YOUR NEXT PROJECT.
VISIT OUR SOCIAL MEDIA CHANNELS!



@JG.COUGHTRIE

VARIATION	COLOUR	PRODUCT CODE
CLEAR GLASS, BAYONET CAP	Black	SW-10/B/CL/BC+REFWALLKIT
	White	SW-10/W/CL/BC+REFWALLKIT
	Antique Bronze	SW-10/BRONZE/CL/BC+REFWALLKIT
	Industrial Aluminium	SW-10/S/CL/BC+REFWALLKIT
	Gloss Grey	SW-10/G/CL/BC+REFWALLKIT
CLEAR GLASS, EDISON SCREW	Black	SW-10/B/CL/ES+REFWALLKIT
	White	SW-10/W/CL/ES+REFWALLKIT
	Antique Bronze	SW-10/BRONZE/CL/ES+REFWALLKIT
	Industrial Aluminium	SW-10/S/CL/ES+REFWALLKIT
	Gloss Grey	SW-10/G/CL/ES+REFWALLKIT
FROSTED GLASS, BAYONET CAP	Black	SW-10/B/FG/BC+REFWALLKIT
	White	SW-10/W/FG/BC+REFWALLKIT
	Antique Bronze	SW-10/BRONZE/FG/BC+REFWALLKIT
	Industrial Aluminium	SW-10/S/FG/BC+REFWALLKIT
	Gloss Grey	SW-10/G/FG/BC+REFWALLKIT
FROSTED GLASS, EDISON SCREW	Black	SW-10/B/FG/ES+REFWALLKIT
	White	SW-10/W/FG/ES+REFWALLKIT
	Antique Bronze	SW-10/BRONZE/FG/ES+REFWALLKIT
	Industrial Aluminium	SW-10/S/FG/ES+REFWALLKIT
	Gloss Grey	SW-10/G/FG/ES+REFWALLKIT

9. SW-10 Swan Neck Wall Light With Reflector, Industrial Aluminium



9.

SW-10 SWAN NECK WALL LIGHT WITH REFLECTOR & CAGE

Indoor-Outdoor Use

For the roughest, toughest environments, our SW-10 Wall Light, with a cage, provides extra peace of mind. Hand-formed, the cage protects the wellglass diffuser against accidental knocks or flying debris. Pair with wind-battered buildings, or a lively Public House, for best results.



3. SW-10 Swan Neck Wall Light With Reflector & Cage, Antique Bronze

4. SW-10 Swan Neck Wall Light With Reflector & Cage, Black

3.



4.

1

SWEEPING SWAN NECK

The hand bent S shaped bracket elegantly directs the light away from the wall.

2

CAST WALL MOUNT

Our cast aluminium wall mount keeps the SW-10 securely fixed with just 2 screws, whatever the British weather throws at it!

3

FLUTED FINS

The iconic fluted fins on the light casing add elegant strength, and protection, to the SW-10.

4

CAST REFLECTOR

The 230mm diameter cast aluminium reflector focuses light downwards from the SW-10.

5

CURVED CAGE

Forged robustly from 6 interconnecting hooped segments, the stainless-steel cage screws securely, directly to the fluted casing or to the underside of an attached reflector.

6

PORCELAIN LAMP HOLDER

Your SW can be supplied with a Bayonet Cap, or Edison Screw lamp, to fit an E27 or B22 bulb.

5. SW-10 Swan Neck Wall Light With Reflector & Cage, White



5.

FALL IN LOVE AT FIRST LIGHT

Buff, Tough and packing 360-degree cast aluminium protection, see why the J&G Coughtrie SW-10 Swan Neck Wall Light with Reflector & Cage is the undisputed heavyweight Cage Lighter of the UK.



6.

6. SW-10 Swan Neck Wall Light With Reflector & Cage, White

7. SW-10 Swan Neck Wall Light With Reflector & Cage, Industrial Aluminium

8. SW-10 Swan Neck Wall Light With Reflector & Cage Antique Bronze



7.

Cage Lighter

A born survivor, the SW-10 cage features 3 interlocking steel loops welded onto a circular baseplate. When screwed to the underside of the Reflector, it provides solid 360 cover for the glass diffuser, without blocking emitted light. The cage can also be fitted directly to the casing without a reflector if desired. Contact us directly if you lust for more information!



8.

Fintastic Forms

The sweeping fins of the case, and gentle curve of the Swan neck wall bracket, contribute to the SW-10's iconic form, while the hand-poured, pressed, and blown diffuser delivers a gentle, and even spread of light.

FINISHED TO YOUR FANCY



Gloss Grey



Black



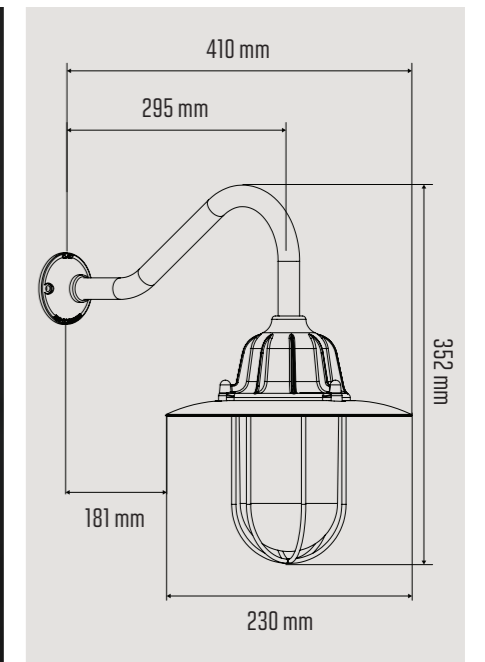
Antique Bronze



White



Industrial Aluminium



Any RAL Colour of Choice

Colour

The SW-10 can be finished with several different options, to suit your flights of fancy, from powder-coated paint in a range of colours, to an industrial aluminium finish which simply has a clear, protective lacquer applied to achieve that raw, manufactured industrial look, creating an unique

and distinct finish each time. With our bespoke finishing service, you'll also be able to specify a unique RAL colour, for any powder coating.

Customise

Create your ideal SW-10 specification by choosing the fitting type for your bulb (Bayonet Cap or Edison Screw) and specifying Clear or Frosted Wellglass Diffuser.

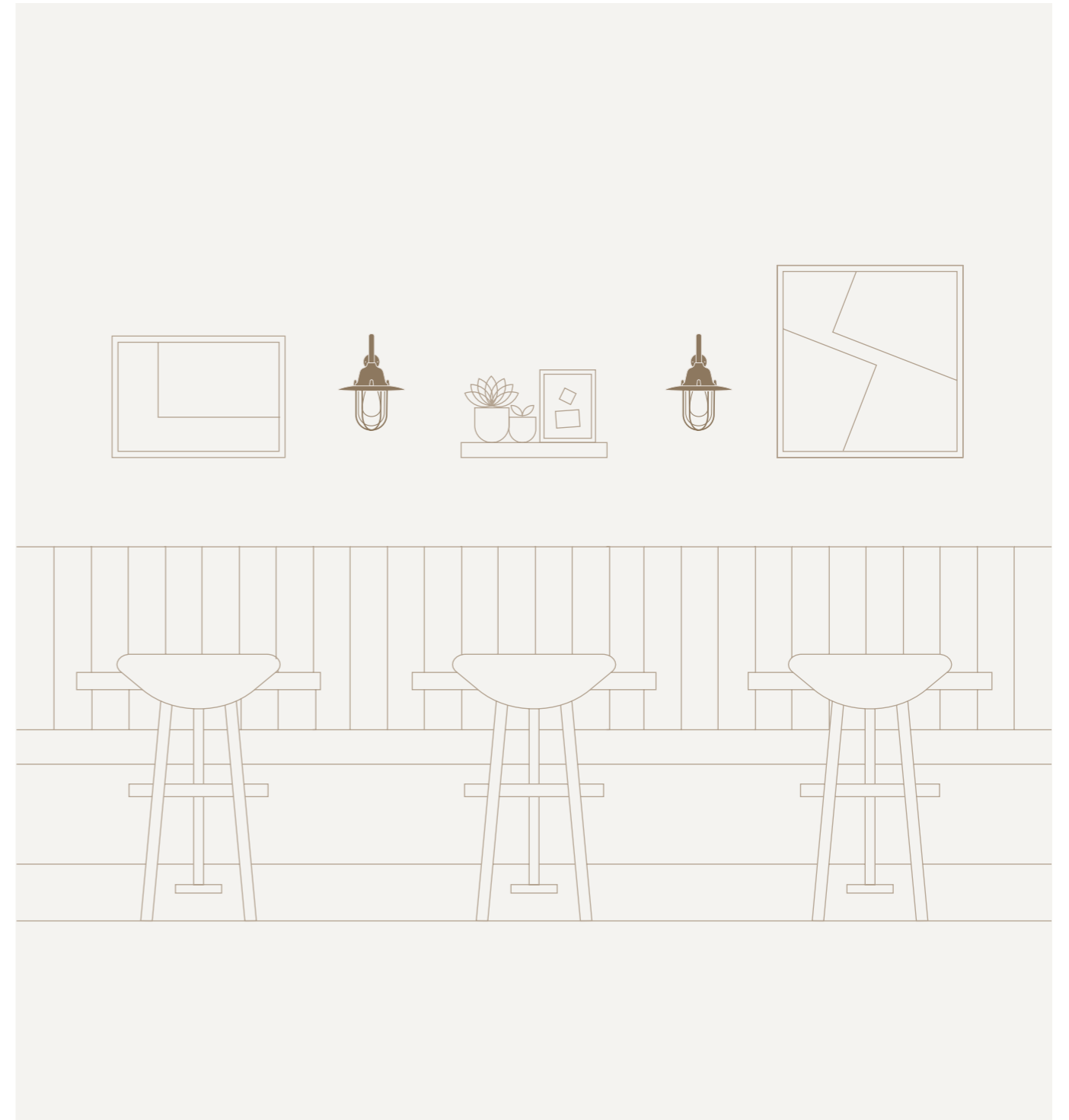
SW-10 SWAN NECK WALL LIGHT WITH REFLECTOR & CAGE



BOULEVARD BRILLIANCE

Make your building or shop front centre stage with a row of SW-10 Swan Neck lights.

J&G COUGHTRIE



CAFÉ COUTURE

When you want individual lighting along the wall in a Café, Restaurant or Bar, the SW-10 with Reflector and Cage packs Paris loads of personality.

80 YEARS OF SUSTAINABILITY



BUILT TO LAST.

Our lights are tough cookies, built to last and suitable for even the most extreme applications (or even a Hollywood set!)



LOCAL SUPPLIERS.

We have a long-standing policy of using suppliers and manufacturing within a 40 miles radius, keeping it local is keeping it sustainable.



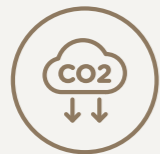
DESIGNED TO BE REPAIRED.

Our lights are designed to disassemble easily for repair or upgrade in the future as technology continues to improve.



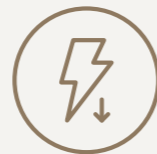
SUSTAINABLE PACKAGING

Each light is lovingly wrapped in recycled paper padding shipped in recycled cardboard packaging.



LOW CARBON MATERIALS

Where possible, we make our parts from low carbon materials that are recycled or can be recycled at end of life.



LOW ENERGY CONSUMPTION

As lighting technology evolves, so do our lights. Now, we use low energy LED bulbs to minimise energy consumption.

PRODUCT INFORMATION

Weight	1550 grams
IP Rating	IP65: Suitable for inside or outside use in wet weather environments. IP rated as "dust tight" and protected against water projected from a nozzle.
Product Dimensions	Overall dimensions: Width: 230mm; Length: 352mm; Depth: 410mm // From wall to edge of Reflector: 181mm // From wall to middle of light fitting: 295mm // Reflector diameter: 230mm.
Materials	Cast Aluminium Casing; Formed Aluminium Tube Swan Neck; Laser Cut Steel Plate And Formed Steel Wire Cage; Pressed And Blown Glass Diffuser; TPU Gasket; Steel Screws; Porcelain Lamp Holder; Powder Coated Paint.

ELECTRICAL CHARACTERISTICS

Power	Depends on bulb
Voltage	230V
Current	Depends on bulb

LUMINAIRE CHARACTERISTICS

Bulb Type	Edison Screw (E27) / Bayonet Cap (B22)
-----------	--

BE INSPIRED FOR YOUR NEXT PROJECT.
VISIT OUR SOCIAL MEDIA CHANNELS!



@JG.COUGHTRIE

VARIATION	COLOUR	PRODUCT CODE
CLEAR GLASS, BAYONET CAP	Black	SW-10/B/CL/BC+REFWALLKIT+GUARD
	White	SW-10/W/CL/BC+REFWALLKIT+GUARD
	Antique Bronze	SW-10/BRONZE/CL/BC+REFWALLKIT+GUARD
	Industrial Aluminium	SW-10/S/CL/BC+REFWALLKIT+GUARD
	Gloss Grey	SW-10/G/CL/BC+REFWALLKIT+GUARD
CLEAR GLASS, BAYONET CAP	Black	SW-10/B/CL/ES+REFWALLKIT+GUARD
	White	SW-10/W/CL/ES+REFWALLKIT+GUARD
	Antique Bronze	SW-10/BRONZE/CL/ES+REFWALLKIT+GUARD
	Industrial Aluminium	SW-10/S/CL/ES+REFWALLKIT+GUARD
	Charcoal	SW-10/RAL7021/CL/ES+REFWALLKIT+GUARD
	Gloss Grey	SW-10/G/CL/ES+REFWALLKIT+GUARD
FROSTED GLASS, BAYONET CAP	Black	SW-10/B/FG/BC+REFWALLKIT+GUARD
	White	SW-10/W/FG/BC+REFWALLKIT+GUARD
	Antique Bronze	SW-430/BRONZE/FG/BC
	Industrial Aluminium	SW-10/S/FG/BC+REFWALLKIT+GUARD
	Gloss Grey	SW-10/G/FG/BC+REFWALLKIT+GUARD
FROSTED GLASS, EDISON SCREW	Black	SW-10/B/FG/ES+REFWALLKIT+GUARD
	White	SW-10/W/FG/ES+REFWALLKIT+GUARD
	Antique Bronze	SW-10/BRONZE/FG/ES+REFWALLKIT+GUARD
	Industrial Aluminium	SW-10/BRONZE/FG/ES+REFWALLKIT+GUARD
	Gloss Grey	SW-10/G/FG/ES+REFWALLKIT+GUARD

9. SW-10 Swan Neck Wall Light With Reflector & Cage, Bronze



9.

PW-15 SWAN NECK WALL LIGHT, CLEAR

Standard, Indoor-Outdoor, Clear

Refined and super-sized, the silhouette of the PW-15 Globe Light is instantly recognisable - he's an imposing chappie! The wall-mounted version can often be found illuminating doorways of country estates, or heritage buildings, with a reassuring elegance since the 1960s.



3. PW-15 Swan Neck Wall Light, Clear, Black

4. PW-15 Swan Neck Wall Light, Clear, White

3.



4.

1

SWEEPING SWAN NECK

The hand bent S shaped bracket elegantly directs the light away from the wall.

2

CAST WALL MOUNT

Our cast aluminium wall mount keeps the PW-15 securely fixed with 2 screws, whatever the British weather throws at it.

3

CURVED CASTING

The gentle curve of the cast casing enables the light to fit flexibly in any environment.

4

PORCELAIN LAMP HOLDER

Your PW-15 can be supplied with a Bayonet Cap or Edison Screw lamp holder to fit an E27 or B22 bulb.

5

POLYCARBONATE DIFFUSER

The fine detailing on the inside of the polycarbonate diffuser helps spread light evenly below.



5.

FALL IN LOVE AT FIRST LIGHT

Super-sized with a silky-smooth silhouette, see why our clear J&G Coughtrie PW-15 Swan Neck Globe Wall Light, is a great allrounder.



6.

6. PW-15 Swan Neck Wall Light, Clear, White

7. PW-15 Swan Neck Wall Light, Clear, Diffuser Detail

8. PW-15 Swan Neck Wall Light, Clear, Antique Bronze



7.

Smooth and Silhouetted

Simple and gently curved, the refined silhouette of the PW-15 has made it a favourite when high visual impact is required. Due to its classic nature, it can equally be paired with traditional heritage buildings, or stripped back modern buildings.



8.

Globally Rounded

Mounted off a sweeping swan neck, the large, curved, clear polycarbonate globe diffuser delivers a wide spread of light. Place above doorways, garages or patios. Alternatively, give us a bell for custom designed brackets if you'd like it atop a vintage lamppost, or hanging in a Cathedral Bell Tower, as some of our previous customers have!

FINISHED TO YOUR FANCY



Gloss Grey



Black



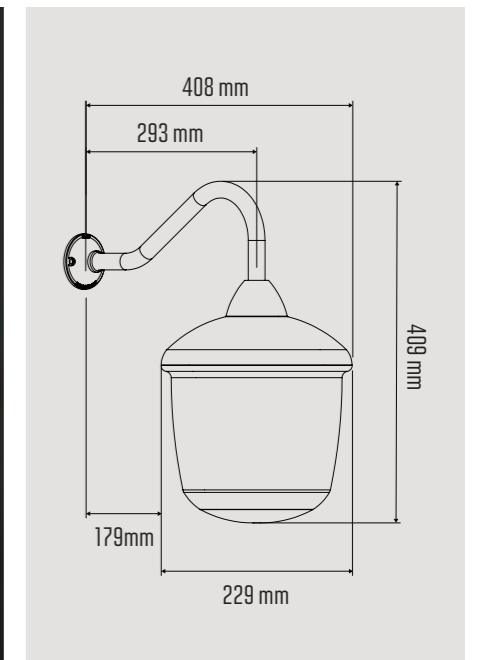
Antique Bronze



White



Industrial Aluminium



Any RAL Colour of Choice

Colour

The PW-15 can be finished with several different options, to suit your flights of fancy, from powder-coated paint in a range of colours, to an industrial aluminium finish which simply has a clear, protective lacquer applied to achieve that raw, manufactured industrial look, creating an unique

and distinct finish each time. With our bespoke finishing service, you'll also be able to specify a unique RAL colour, for any powder coating.

Customise

The PW collection is incredibly flexible. Standard mounts allow the light to be wall or corner mounted. Alternatively give our chaps and chapesses a bell to create a custom bracket for mounting or hanging as a pendant.

PW-15 SWAN NECK WALL LIGHT, CLEAR



BOULEVARD BRILLIANCE

Make your building or shop front centre stage with a row of PW-15 Swan Neck lights.

J&G COUGHTRIE



BOATHOUSE BEAUTY

Bathe your boathouse or outhouse in gentle light with a Single PW-15 positioned over the doorway.

80 YEARS OF SUSTAINABILITY



BUILT TO LAST.

Our lights are tough cookies, built to last and suitable for even the most extreme applications (or even a Hollywood set!)



LOCAL SUPPLIERS.

We have a long-standing policy of using suppliers and manufacturing within a 40 miles radius, keeping it local is keeping it sustainable.



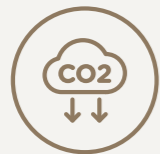
DESIGNED TO BE REPAIRED.

Our lights are designed to disassemble easily for repair or upgrade in the future as technology continues to improve.



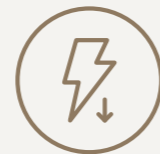
SUSTAINABLE PACKAGING

Each light is lovingly wrapped in recycled paper padding shipped in recycled cardboard packaging.



LOW CARBON MATERIALS

Where possible, we make our parts from low carbon materials that are recycled or can be recycled at end of life.



LOW ENERGY CONSUMPTION

As lighting technology evolves, so do our lights. Now, we use low energy LED bulbs to minimise energy consumption.

PRODUCT INFORMATION

Weight	1500 grams
IP Rating	IP65: Suitable for inside or outside use in wet weather environments. IP rated as "dust tight" and protected against water projected from a nozzle.
Product Dimensions	Width: 229mm; Length: 409mm; Depth: 408mm // From wall to edge of light fitting: 179mm // From wall to middle of light fitting: 293mm // Light fitting diameter: 229mm // Light fitting height: 287mm.
Materials	Cast Aluminium Casing; Formed Aluminium Tube Swan Neck; Polycarbonate Diffuser; TPU Gasket; Steel Screws; Porcelain Lamp Holder; Powder Coated Paint / Aluminium Anodising Finishing.

ELECTRICAL CHARACTERISTICS

Power	Depends on bulb
Voltage	230V
Current	Depends on bulb

LUMINAIRE CHARACTERISTICS

Bulb Type	Edison Screw (E27) / Bayonet Cap (B22)
-----------	--

BE INSPIRED FOR YOUR NEXT PROJECT.
VISIT OUR SOCIAL MEDIA CHANNELS!



@JG.COUGHTRIE

VARIATION	COLOUR	PRODUCT CODE
BAYONET CAP	Black	PW-15/B/CL/BC/WALLKIT
	White	PW-15/W/CL/BC/WALLKIT
	Antique Bronze	PW-15/BRONZE/CL/BC/WALLKIT
	Industrial Aluminium	PW-15/S/CL/BC/WALLKIT
	Gloss Grey	PW-15/G/CL/BC/WALLKIT
EDISON SCREW	Black	PW-15/B/CL/ES/WALLKIT
	White	PW-15/W/CL/ES/WALLKIT
	Antique Bronze	PW-15/BRONZE/CL/ES/WALLKIT
	Industrial Aluminium	PW-15/S/CL/ES/WALLKIT
	Gloss Grey	PW-15/G/CL/ES/WALLKIT
BAYONET CAP, NO SWAN NECK OR WALL FIXING	Black	PW-15/B/CL/BC
	White	PW-15/W/CL/BC
	Antique Bronze	PW-15/BRONZE/CL/BC
	Industrial Aluminium	PW-15/S/CL/BC
	Gloss Grey	PW-15/G/CL/BC
EDISON SCREW, NO SWAN NECK OR WALL FIXING	Black	PW-15/B/CL/ES
	White	PW-15/W/CL/ES
	Antique Bronze	PW-15/BRONZE/CL/ES
	Industrial Aluminium	PW-15/S/CL/ES
	Gloss Grey	PW-15/G/CL/ES

9. PW-15 Swan Neck
Wall Light, Clear,
Gloss Grey



9.

PW-15 SWAN NECK WALL LIGHT, OPAL

Standard, Indoor-Outdoor, Opal

When softer, muted light is desired, the PW-15's extra-large globe shaped opal diffuser is the perfect option. Instantly recognisable, it can often be found illuminating secluded doorways of heritage country estates, with its quiet dignity and elegance.



3. PW-15 Swan Neck Wall Light, Opal, Black

4. PW-15 Swan Neck Wall Light, Opal, White

3.



4.

1

SWEEPING SWAN NECK

The hand bent S shaped bracket elegantly directs the light away from the wall.

2

CAST WALL MOUNT

Our cast aluminium wall mount keeps the PW-15 securely fixed with 2 screws, whatever the British weather throws at it.

3

CURVED CASTING

The gentle curve of the cast casing enables the light to fit flexibly in any environment.

4

PORCELAIN LAMP HOLDER

Your PW-15 can be supplied with a Bayonet Cap or Edison Screw lamp holder to fit an E27 or B22 bulb.

5

POLYCARBONATE DIFFUSER

The fine detailing on the inside of the polycarbonate diffuser helps spread light evenly below.



5.

FALL IN LOVE AT FIRST LIGHT

Super-sized with a silky-smooth silhouette, see why our opal J&G Coughtrie PW-15 Swan Neck Globe Wall Light, is a great allrounder.



6.

6. PW-15 Swan Neck Wall Light, Opal, White



7.

Glowing Globe

Mounted off a sweeping swan neck - the large, opal globe diffuser delivers a soft spread of light. Use anywhere where upward light pollution needs to be avoided, placing above archways, down passageways, or over patios. Alternatively, grab one of our custom designed brackets if you'd like it atop a vintage lamppost or hanging in a Cathedral Bell Tower as per some of our previous customers have done!



8.

Cast to Last

Fully waterproof and corrosion resistant, the solid cast aluminium case is built to last, no matter how high or exposed you choose to hang your PW.

7. PW-15 Swan Neck Wall Light, Opal, Antique Bronze

8. PW-15 Swan Neck Wall Light, Opal, Antique Bronze

FINISHED TO YOUR FANCY



Gloss Grey



Black



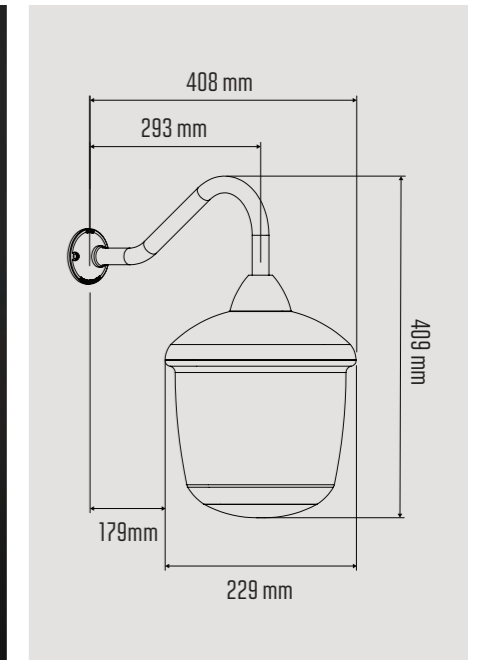
Antique Bronze



White



Industrial Aluminium



Any RAL Colour of Choice

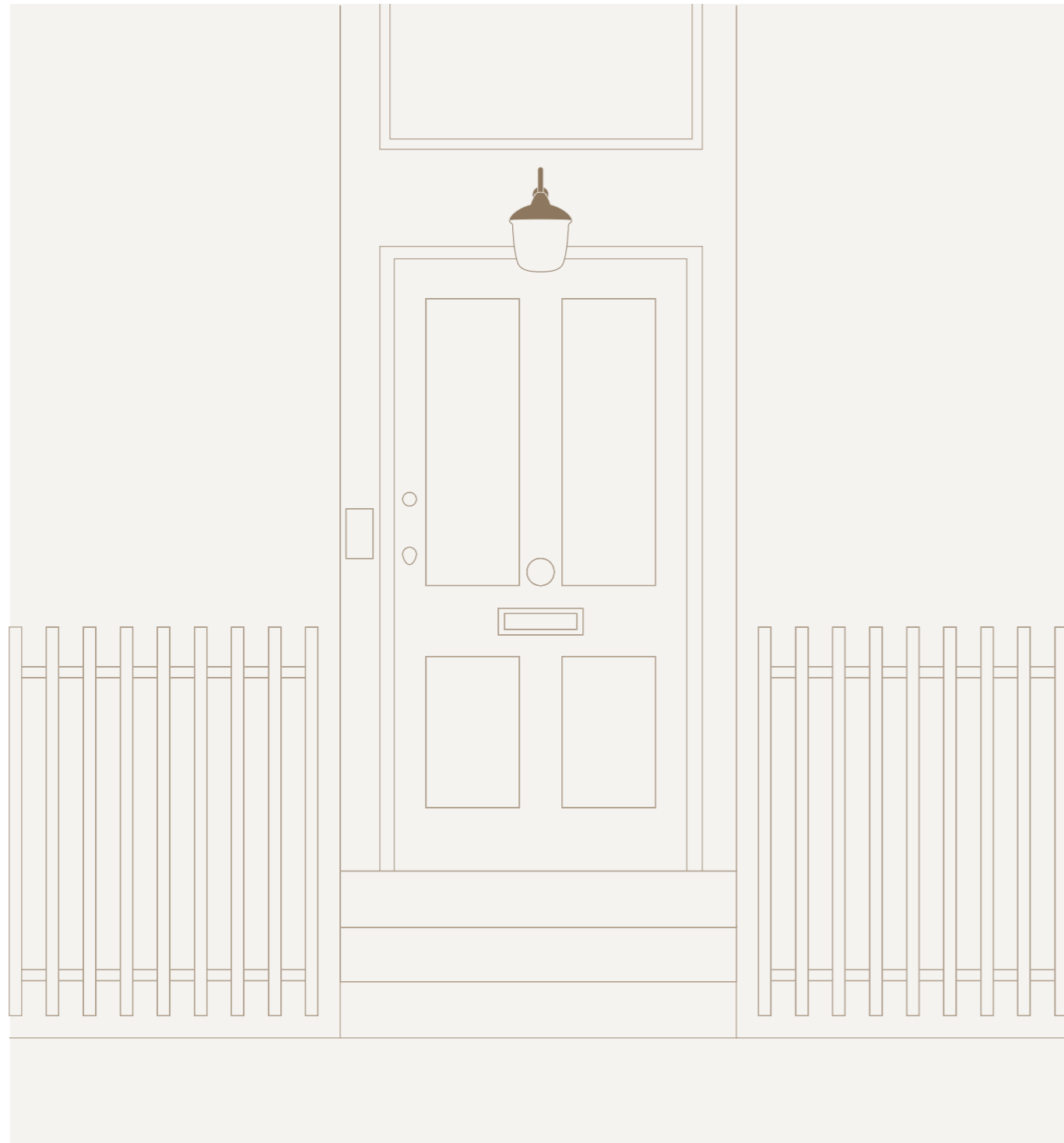
Colour

The PW-15 can be finished with several different options, to suit your flights of fancy, from powder-coated paint in a range of colours, to an industrial aluminium finish which simply has a clear, protective lacquer applied to achieve that raw, manufactured industrial look, creating an unique

and distinct finish each time. With our bespoke finishing service, you'll also be able to specify a unique RAL colour, for any powder coating.

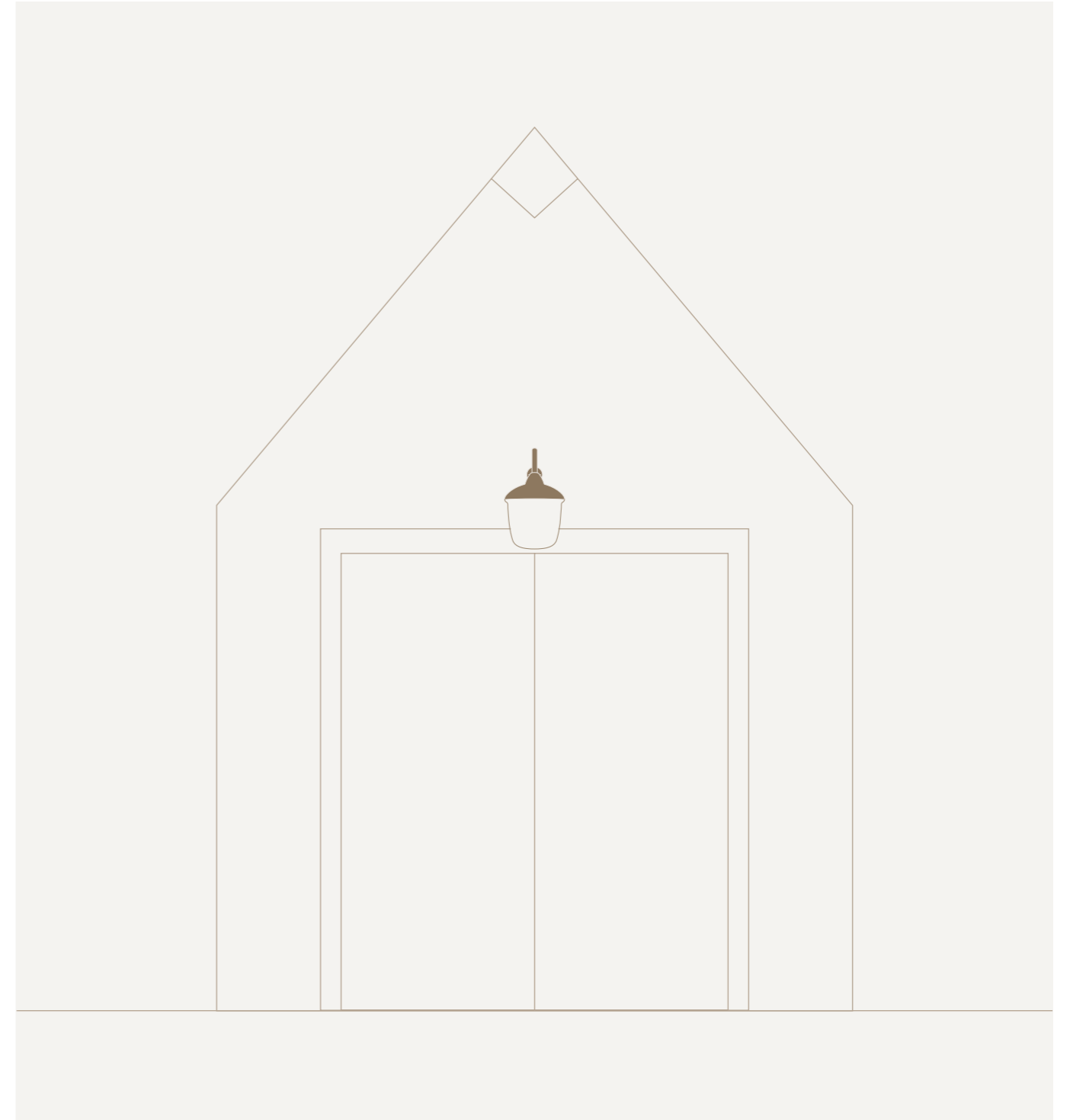
Customise

The PW collection is incredibly flexible. Standard mounts allow the light to be wall or corner mounted. Alternatively give our chaps and chapesses a bell to create a custom bracket for mounting or hanging as a pendant.



DASHING DOORSTEPS

Step-up your front door's appearance with a perfectly poised PW-15 overhead.



BOATHOUSE BEAUTY

Bathe your boathouse or outhouse in gentle light with a single PW-15 positioned over the doorway.

80 YEARS OF SUSTAINABILITY



BUILT TO LAST.

Our lights are tough cookies, built to last and suitable for even the most extreme applications (or even a Hollywood set!)



LOCAL SUPPLIERS.

We have a long-standing policy of using suppliers and manufacturing within a 40 miles radius, keeping it local is keeping it sustainable.



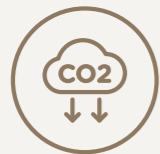
DESIGNED TO BE REPAIRED.

Our lights are designed to disassemble easily for repair or upgrade in the future as technology continues to improve.



SUSTAINABLE PACKAGING

Each light is lovingly wrapped in recycled paper padding shipped in recycled cardboard packaging.



LOW CARBON MATERIALS

Where possible, we make our parts from low carbon materials that are recycled or can be recycled at end of life.



LOW ENERGY CONSUMPTION

As lighting technology evolves, so do our lights. Now, we use low energy LED bulbs to minimise energy consumption.

PRODUCT INFORMATION

Weight	1500 grams
IP Rating	IP65: Suitable for inside or outside use in wet weather environments. IP rated as "dust tight" and protected against water projected from a nozzle.
Product Dimensions	Width: 229mm; Length: 409mm; Depth: 408mm // From wall to edge of light fitting: 179mm // From wall to middle of light fitting: 293mm // Light fitting diameter: 229mm // Light fitting height: 287mm.
Materials	Cast Aluminium Casing; Formed Aluminium Tube Swan Neck; Frosted Polycarbonate Diffuser; TPU Gasket; Steel Screws; Porcelain Lamp Holder; Powder Coated Paint / Aluminium Anodising Finishing.

ELECTRICAL CHARACTERISTICS

Power	Depends on bulb
Voltage	230V
Current	Depends on bulb

LUMINAIRE CHARACTERISTICS

Bulb Type	Edison Screw (E27) / Bayonet Cap (B22)
-----------	--

BE INSPIRED FOR YOUR NEXT PROJECT.
VISIT OUR SOCIAL MEDIA CHANNELS!



@JG.COUGHTRIE

VARIATION	COLOUR	PRODUCT CODE
BAYONET CAP	Black	PW-15/B/OP/BC/WALLKIT
	White	PW-15/W/OP/BC/WALLKIT
	Antique Bronze	PW-15/BRONZE/OP/BC/WALLKIT
	Industrial Aluminium	PW-15/S/OP/BC/WALLKIT
	Gloss Grey	PW-15/G/OP/BC/WALLKIT
EDISON SCREW	Black	PW-15/B/OP/ES/WALLKIT
	White	PW-15/W/OP/ES/WALLKIT
	Antique Bronze	PW-15/BRONZE/OP/ES/WALLKIT
	Industrial Aluminium	PW-15/S/OP/ES/WALLKIT
	Gloss Grey	PW-15/G/OP/ES/WALLKIT
BAYONET CAP, NO SWAN NECK OR WALL FIXING	Black	PW-15/B/OP/BC
	White	PW-15/W/OP/BC
	Antique Bronze	PW-15/BRONZE/OP/BC
	Industrial Aluminium	PW-15/S/OP/BC
	Gloss Grey	PW-15/G/OP/BC
EDISON SCREW, NO SWAN NECK OR WALL FIXING	Black	PW-15/B/OP/ES
	White	PW-15/W/OP/ES
	Antique Bronze	PW-15/BRONZE/OP/ES
	Industrial Aluminium	PW-15/S/OP/ES
	Gloss Grey	PW-15/G/OP/ES

9. PW-15 Swan Neck Wall Light, Opal, Gloss Grey



9.



COLLECTION 2:
CORNER LIGHTS

- 01 SW-10 SWAN NECK CORNER LIGHT**
- 02 SW-10 SWAN NECK CORNER LIGHT WITH REFLECTOR**
- 03 SW-10 SWAN NECK CORNER LIGHT WITH REFLECTOR & CAGE**
- 04 PW-15 SWAN NECK CORNER LIGHT, CLEAR**
- 05 PW-15 SWAN NECK CORNER LIGHT, OPAL**

SW-10 SWAN NECK CORNER LIGHT

Standard, Indoor-Outdoor

When every side is your best side, the SW corner model casts your building in the best possible light. First launched in 1960, the robust aluminium corner bracket of the SW-10 has kept our overhead swan neck light anchored to walls for over half a century.



3. SW-10 Swan Neck Corner Light, Black

4. SW-10 Swan Neck Corner Light, White

3.



4.

SW-10 SWAN NECK CORNER LIGHT

1

SWEEPING SWAN NECK

The hand bent S shaped bracket elegantly directs the light away from the wall.

2

CORNER WALL BRACKET

Our cast aluminium corner bracket grips to the corner of buildings with 3 separate fixing points, anchoring the SW-10, whatever the British weather throws at it.

3

FLUTED FINS

The iconic fluted fins on the light casing add strength and protection to the SW with elegance.

4

DOMED SCREW MOUNTS

Three equally spaced mounting points allow modular accessories to be fixed to the SW to adapt its look or extend its functionality.

5

PORCELAIN LAMP HOLDER

Your SW-10 can be supplied with a Bayonet Cap or Edison Screw lamp holder to fit an E27 or B22 bulb.

6

WELLGLASS DIFFUSER

Each SW-10 comes with a thick hand-pressed, and blown, Wellglass diffuser that keeps your light watertight, and gently diffuses the glow emitted. Available in Clear or Frosted glass.

5. SW-10 Swan Neck
Corner Light, Antique
Bronze

J&G COUGHTRIE



5.

FALL IN LOVE AT FIRST LIGHT

Iconic, imposing and utterly fantastic, see why the J&G Coughtrie Swan Neck Corner light is a robust allrounder that has cornered the UK market since 1960.



6.

6. SW-10 Swan Neck Corner Light, Black

7. SW-10 Swan Neck Corner Light, Antique Bronze

8. SW-10 Swan Neck Corner Light, White



7.

A Head For Lights

The sweeping swan-neck, paired with our corner bracket, makes the SW-10 perfect for casting light on the corners of buildings to accentuate their form, or provide safe passage.



8.

Cast To Last

Each part of the casing, including the corner bracket, is cast from solid aluminium, fitting together as part of an upgradable modular system. Rugged, robust, and rain resistant, the SW-10 Corner Light is built to last, and perform, however inclement the British weather!

FINISHED TO YOUR FANCY



Gloss Grey



Black



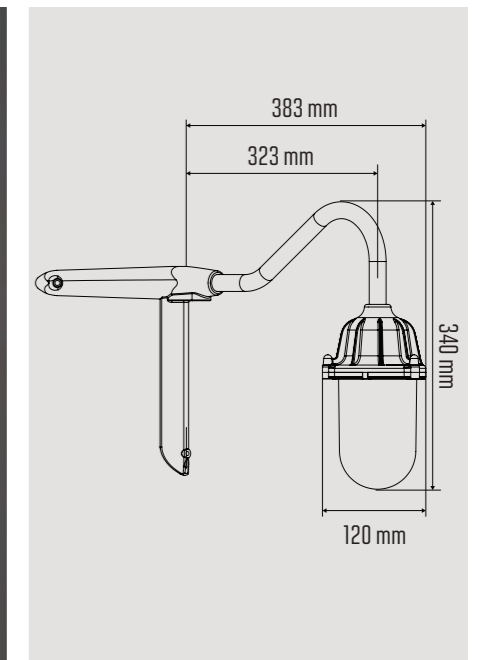
Antique Bronze



White



Industrial Aluminium



Any RAL Colour of Choice

Colour

The SW-10 can be finished with several different options, to suit your flights of fancy, from powder-coated paint in a range of colours, to an industrial aluminium finish which simply has a clear, protective lacquer applied to achieve that raw, manufactured industrial look, creating an unique

and distinct finish each time. With our bespoke finishing service, you'll also be able to specify a unique RAL colour, for any powder coating.

Customise

Create your ideal SW-10 specification by choosing the fitting type for your bulb (Bayonet Cap or Edison Screw) and specifying Clear or Frosted Wellglass Diffuser.



POP 'IN PATIOS

Pop prosecco or sizzle sausages day or night with our SW-10 Corner to light-up your patio space.



GORGEOUS GAZEBOS

Wrap your roses in light and make a centre piece of your Gazebo when the sun goes down with some corner mounted SW-10 lights.

80 YEARS OF SUSTAINABILITY



BUILT TO LAST.

Our lights are tough cookies, built to last and suitable for even the most extreme applications (or even a Hollywood set!)



LOCAL SUPPLIERS.

We have a long-standing policy of using suppliers and manufacturing within a 40 miles radius, keeping it local is keeping it sustainable.



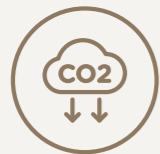
DESIGNED TO BE REPAIRED.

Our lights are designed to disassemble easily for repair or upgrade in the future as technology continues to improve.



SUSTAINABLE PACKAGING

Each light is lovingly wrapped in recycled paper padding shipped in recycled cardboard packaging.



LOW CARBON MATERIALS

Where possible, we make our parts from low carbon materials that are recycled or can be recycled at end of life.



LOW ENERGY CONSUMPTION

As lighting technology evolves, so do our lights. Now, we use low energy LED bulbs to minimise energy consumption.

PRODUCT INFORMATION

Weight	1600 grams
IP Rating	IP65: Suitable for inside or outside use in wet weather environments. IP rated as "dust tight" and protected against water projected from a nozzle.
Product Dimensions	Overall dimensions: Width: 120mm; Length: 340mm; Depth: 383mm // From wall to middle of light fitting: 323mm // Width of corner wall mount: 247mm.
Materials	Cast Aluminium Casing; Formed Aluminium Tube Swan Neck; Pressed And Blown Glass Diffuser; TPU Gasket; Steel Screws; Porcelain Lamp Holder; Powder Coated Paint

ELECTRICAL CHARACTERISTICS

Power	Depends on bulb
Voltage	230V
Current	Depends on bulb

LUMINAIRE CHARACTERISTICS

Bulb Type	Edison Screw (E27) / Bayonet Cap (B22)
-----------	--

BE INSPIRED FOR YOUR NEXT PROJECT.
VISIT OUR SOCIAL MEDIA CHANNELS!



@JG.COUGHTRIE

VARIATION	COLOUR	PRODUCT CODE
CLEAR GLASS, BAYONET CAP	Black	SW-10/B/CL/BC/CORNERKIT
	White	SW-10/W/CL/BC/CORNERKIT
	Antique Bronze	SW-10/BRONZE/CL/BC/CORNERKIT
	Industrial Aluminium	SW-10/S/CL/BC/CORNERKIT
	Gloss Grey	SW-10/G/CL/BC/CORNERKIT
CLEAR GLASS, EDISON SCREW	Black	SW-10/B/CL/ES/CORNERKIT
	White	SW-10/W/CL/ES/CORNERKIT
	Antique Bronze	SW-10/BRONZE/CL/ES/CORNERKIT
	Industrial Aluminium	SW-10/S/CL/ES/CORNERKIT
	Gloss Grey	SW-10/G/CL/ES/CORNERKIT
FROSTED GLASS, BAYONET CAP	Black	SW-10/B/FG/BC/CORNERKIT
	White	SW-10/W/FG/BC/CORNERKIT
	Antique Bronze	SW-10/BRONZE/FG/BC/CORNERKIT
	Industrial Aluminium	SW-10/S/FG/BC/CORNERKIT
	Gloss Grey	SW-10/G/FG/BC/CORNERKIT
FROSTED GLASS, EDISON SCREW	Black	SW-10/B/FG/ES/CORNERKIT
	White	SW-10/W/FG/ES/CORNERKIT
	Antique Bronze	SW-10/BRONZE/FG/ES/CORNERKIT
	Industrial Aluminium	SW-10/S/FG/ES/CORNERKIT
	Gloss Grey	SW-10/G/FG/ES/CORNERKIT

9. SW-10 Swan
Neck Corner Light,
Gloss Grey



9.

SW-10 SWAN NECK CORNER LIGHT WITH REFLECTOR

Indoor-Outdoor Use

When focused downlighting meets a corner, our SW Corner light, with reflector, is the order of the day. Pip pip! The gently tapered cast aluminium reflector combines with the SW's iconic fluted case to form a standout silhouette on gloomy British nights!



3. SW-10 Swan Neck
Corner Light With
Reflector, White

4. SW-10 Swan Neck
Corner Light With
Reflector, Black

3.



4.

1

SWEEPING SWAN NECK

The hand bent S shaped bracket elegantly directs the light away from the wall.

2

CORNER WALL BRACKET

Our cast aluminium corner bracket grips to the corner of buildings with 3 separate fixing points, anchoring the SW-10, whatever the British weather throws at it.

3

FLUTED FINS

The iconic fluted fins on the light casing add elegant strength, and protection, to the SW-10.

4

CAST REFLECTOR

The 230mm diameter cast aluminium reflector focuses light from the SW-10 downwards.

5

PORCELAIN LAMP HOLDER

Your SW-10 can be supplied with a Bayonet Cap or Edison Screw lamp holder to fit an E27 or B22 bulb.

6

WELLGLASS DIFFUSER

Each SW-10 comes with a thick hand-pressed and blown Wellglass diffuser that keeps your light watertight and gently diffuses the light emitted.

5. SW-10 Swan Neck Corner Light With Reflector, Industrial Aluminium



5.

FALL IN LOVE AT FIRST LIGHT

Downcast, cast-to-last, last-light-standing - see why the J&G Coughtrie SW-10 Swan Neck Corner Light with Reflector leaves other lights cornered.



6.

6. SW-10 Swan Neck Corner Light With Reflector, Antique Bronze



7.

Down Lighting

Keen to reduce light pollution? Or perhaps you're more focussed on downlighting? Include the cast aluminium reflector to direct light from the SW-10 downwards, forming a controlled area of light, ideal for use outside for casting light on the corners of buildings to accentuate their form, or provide safe passage when upward light pollution needs to be minimised.

7. SW-10 Swan Neck Corner Light With Reflector, Black



8.

Cast To Last

Both the casing, reflector, and corner bracket are cast from solid aluminium and shaped to fit together as part of an upgradable modular system. Rugged, robust, and rain resistant, the SW-10 is built to last and perform however inclement the British weather!

8. SW-10 Swan Neck Corner Light With Reflector, Industrial Aluminium

FINISHED TO YOUR FANCY



Gloss Grey



Black



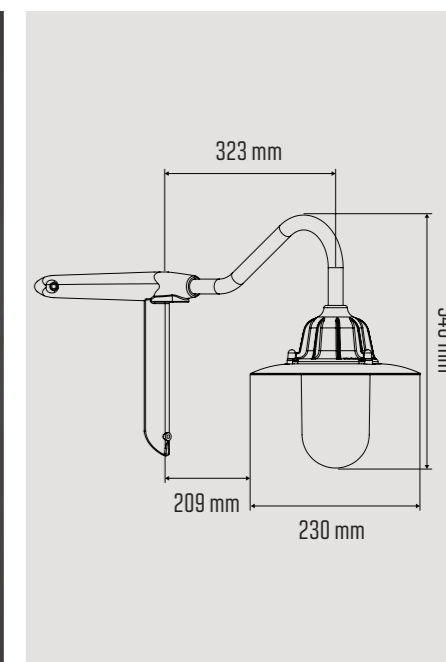
Antique Bronze



White



Industrial Aluminium



Any RAL Colour of Choice

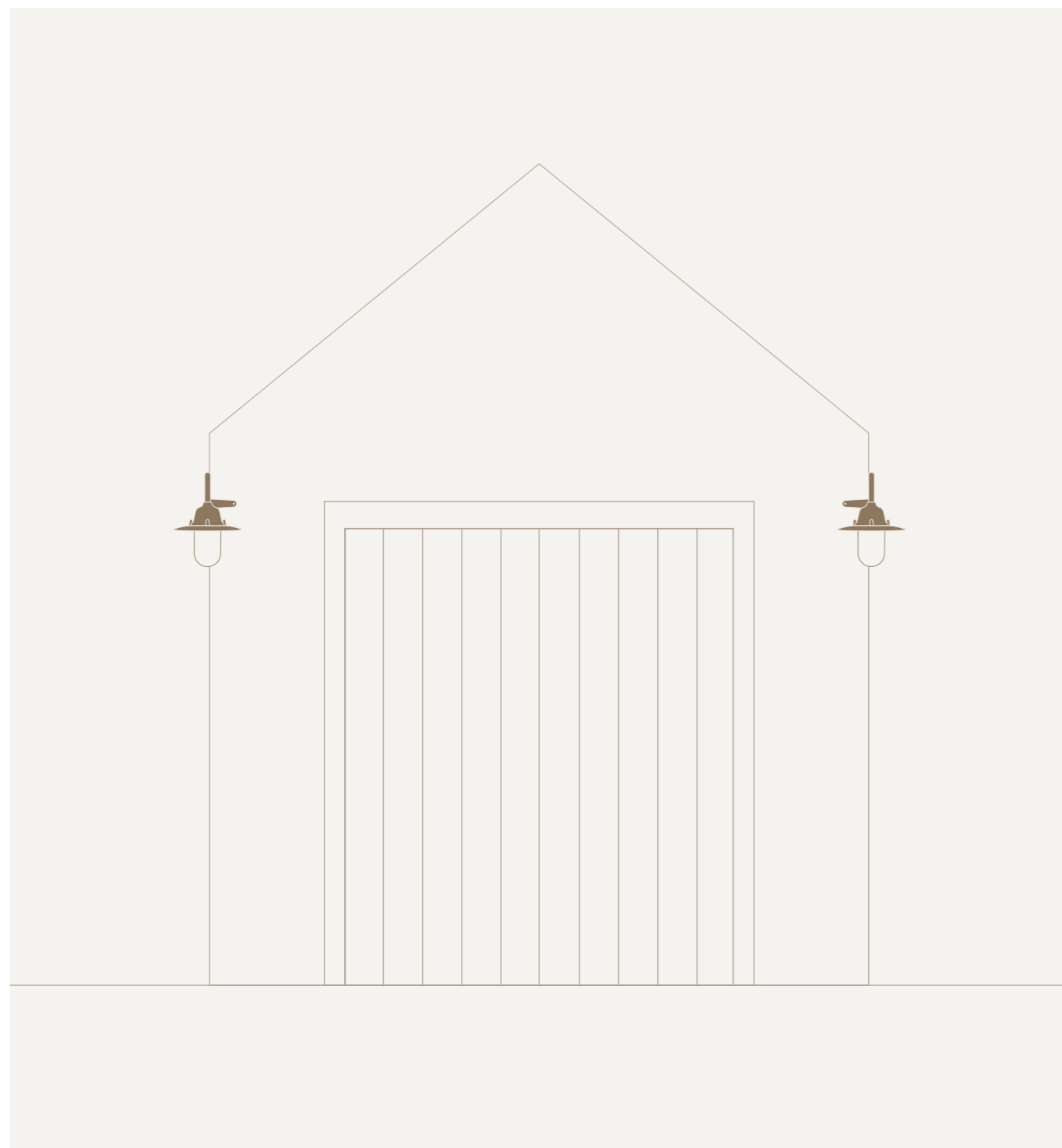
Colour

The SW-10 can be finished with several different options, to suit your flights of fancy, from powder-coated paint in a range of colours, to an industrial aluminium finish which simply has a clear, protective lacquer applied to achieve that raw, manufactured industrial look, creating an unique

and distinct finish each time. With our bespoke finishing service, you'll also be able to specify a unique RAL colour, for any powder coating.

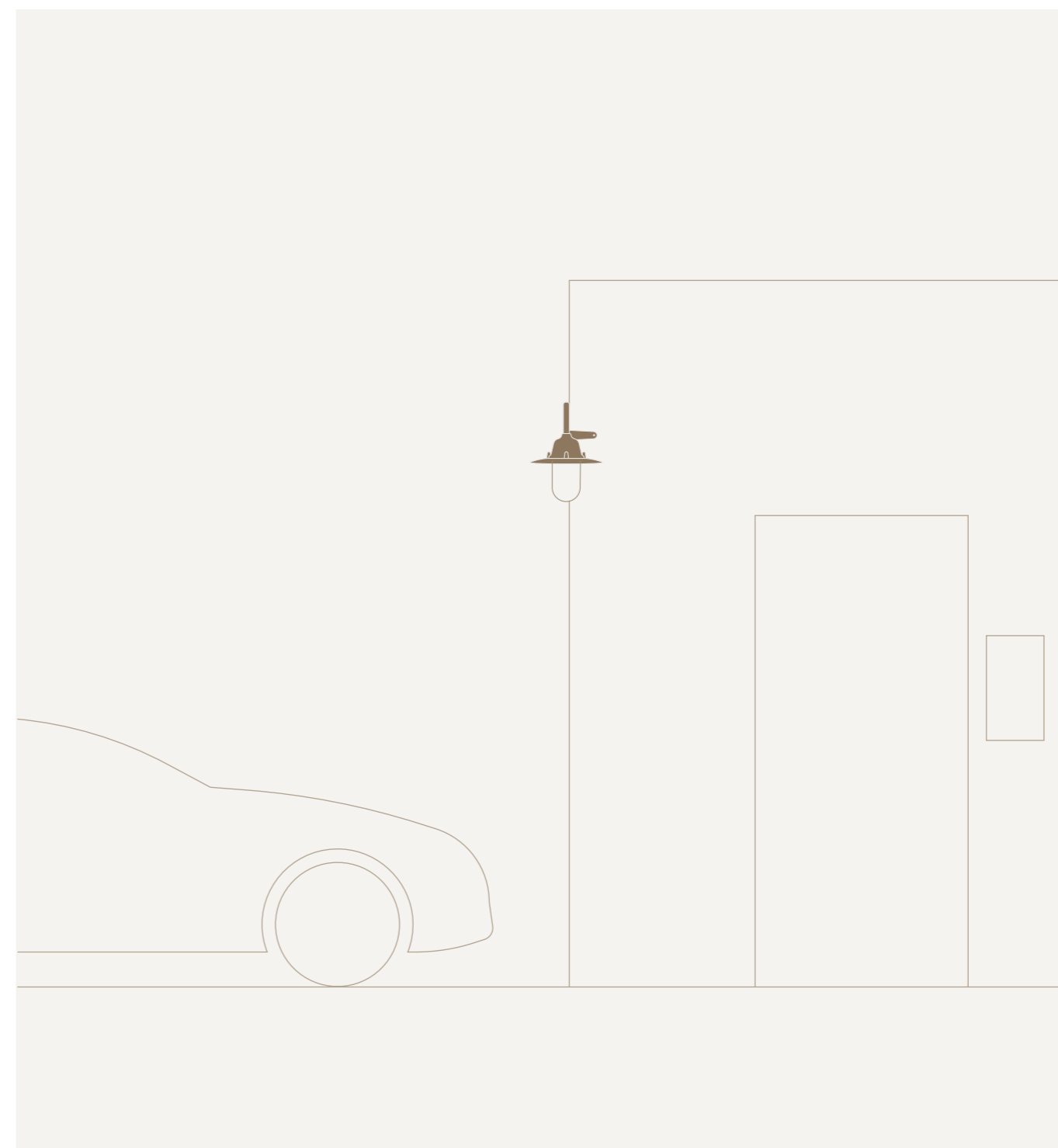
Customise

Create your ideal SW-10 specification by choosing the fitting type for your bulb (Bayonet Cap or Edison Screw) and specifying Clear or Frosted Wellglass Diffuser.



GORGEOUS GARAGES

Show off your garage or outbuildings' best angles, with an SW-10 on each corner.



DRIVEWAY DESIRES

Show your Aston off in the best possible light with an SW-10 fitted to the corner of your home.

80 YEARS OF SUSTAINABILITY



BUILT TO LAST.

Our lights are tough cookies, built to last and suitable for even the most extreme applications (or even a Hollywood set!)



LOCAL SUPPLIERS.

We have a long-standing policy of using suppliers and manufacturing within a 40 miles radius, keeping it local is keeping it sustainable.



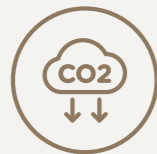
DESIGNED TO BE REPAIRED.

Our lights are designed to disassemble easily for repair or upgrade in the future as technology continues to improve.



SUSTAINABLE PACKAGING

Each light is lovingly wrapped in recycled paper padding shipped in recycled cardboard packaging.



LOW CARBON MATERIALS

Where possible, we make our parts from low carbon materials that are recycled or can be recycled at end of life.



LOW ENERGY CONSUMPTION

As lighting technology evolves, so do our lights. Now, we use low energy LED bulbs to minimise energy consumption.

PRODUCT INFORMATION

Weight	1600 grams
IP Rating	IP65: Suitable for inside or outside use in wet weather environments. IP rated as "dust tight" and protected against water projected from a nozzle.
Product Dimensions	Width: 230mm; Length: 340mm; Depth: 437mm // From wall to edge of Reflector: 209mm // From wall to middle of light fitting: 323mm // Reflector diameter: 230mm // Width of corner wall mount: 247mm.
Materials	Cast Aluminium Casing; Formed Aluminium Tube Swan Neck; Pressed And Blown Glass Diffuser; TPU Gasket; Steel Screws; Porcelain Lamp Holder; Powder Coated Paint

ELECTRICAL CHARACTERISTICS

Power	Depends on bulb
Voltage	230V
Current	Depends on bulb

LUMINAIRE CHARACTERISTICS

Bulb Type	Edison Screw (E27) / Bayonet Cap (B22)
-----------	--

BE INSPIRED FOR YOUR NEXT PROJECT.
VISIT OUR SOCIAL MEDIA CHANNELS!



@JG.COUGHTRIE

VARIATION	COLOUR	PRODUCT CODE
CLEAR GLASS, BAYONET CAP	Black	SW-10/B/CL/BC+REFCORNERKIT
	White	SW-10/W/CL/BC+REFCORNERKIT
	Antique Bronze	SW-10/BRONZE/CL/BC+REFCORNERKIT
	Industrial Aluminium	SW-10/S/CL/BC+REFCORNERKIT
	Gloss Grey	SW-10/G/CL/BC+REFCORNERKIT
CLEAR GLASS, EDISON SCREW	Black	SW-10/B/CL/ES+REFCORNERKIT
	White	SW-10/W/CL/ES+REFCORNERKIT
	Antique Bronze	SW-10/BRONZE/CL/ES+REFCORNERKIT
	Industrial Aluminium	SW-10/S/CL/ES+REFCORNERKIT
	Gloss Grey	SW-10/G/CL/ES+REFCORNERKIT
FROSTED GLASS, BAYONET CAP	Black	SW-10/B/FG/BC+REFCORNERKIT
	White	SW-10/W/FG/BC+REFCORNERKIT
	Antique Bronze	SW-10/BRONZE/FG/BC+REFCORNERKIT
	Industrial Aluminium	SW-10/S/FG/BC+REFCORNERKIT
	Gloss Grey	SW-10/G/FG/BC+REFCORNERKIT
FROSTED GLASS, EDISON SCREW	Black	SW-10/B/FG/ES+REFCORNERKIT
	White	SW-10/W/FG/ES+REFCORNERKIT
	Antique Bronze	SW-10/BRONZE/FG/ES+REFCORNERKIT
	Industrial Aluminium	SW-10/S/FG/ES+REFCORNERKIT
	Gloss Grey	SW-10/G/FG/ES+REFCORNERKIT

9. SW-10 Swan Neck
Corner Light With
Reflector, Gloss Grey



9.

SW-10 SWAN NECK CORNER LIGHT WITH REFLECTOR & CAGE

Indoor-Outdoor Use

For exposed corners in the roughest, toughest environments, our SW-10 corner light with cage provides extra peace of mind. Hand-formed from stainless steel, the cage protects the well glass diffuser against passing knocks or flying debris (like chairs in a beer garden brawl!)



3. SW-10 Swan Neck
Corner Light With
Reflector & Cage,
White

4. SW-10 Swan Neck
Corner Light With
Reflector & Cage,
Black

3.



4.

1

SWEEPING SWAN NECK

The hand bent S shaped bracket elegantly directs the light away from the wall.

2

CORNER WALL BRACKET

Our cast aluminium corner bracket grips to the corner of buildings with three separate fixing points anchoring the SW-10, whatever the British weather throws at it.

3

FLUTED FINS

The iconic fluted fins on the light casing add strength and protection to the SW-10 with elegance.

4

CAST REFLECTOR

The 230mm diameter, cast aluminium reflector focuses light from the SW-10 downwards.

5

PORCELAIN LAMP HOLDER

Your SW-10 can be supplied with a Bayonet Cap or Edison Screw lamp holder to fit an E27 or B22 bulb.

6

CURVED CAGE

Forged from 6 interconnecting hooped segments the stainless-steel cage screws securely, directly to the fluted casing or to the underside of an attached reflector.

5. SW-10 Swan Neck Corner Light With Reflector & Cage, Industrial Aluminium



5.

FALL IN LOVE AT FIRST LIGHT

Buff, Tough and packing 360-degree cast aluminium protection, see why the J&G Coughtrie SW-10 Swan Neck Corner Light with Reflector & Cage is the undisputed heavyweight Cage Lighter, in all corners of the UK.



6.

6. SW-10 Swan Nek Corner Light With Reflector & Cage, Black

7. SW-10 Swan Neck Corner Light With Reflector & Cage, White

8. SW-10 Swan Neck Corner Light With Reflector & Cage, Industrial Aluminium



7.

Cage Lighter

A born survivor, the SW-10 cage features three interlocking steel loops welded onto a circular baseplate. When screwed to the underside of the Reflector, it provides 360 protection for the glass diffuser without blocking emitted light. The cage can also be fitted directly to the casing without a reflector if desired. Contact us directly if you lust for more information!



8.

Cast To Last

Both the casing, reflector, and corner bracket are cast from solid aluminium and shaped to fit together as part of an upgradable modular system. Rugged, robust, and rain resistant, the SW-10 is built to last and perform however inclement the weather.

FINISHED TO YOUR FANCY



Gloss Grey



Black



Antique Bronze



White



Industrial Aluminium



Any RAL Colour of Choice

Colour

The SW-10 can be finished with several different options, to suit your flights of fancy, from powder-coated paint in a range of colours, to an industrial aluminium finish which simply has a clear, protective lacquer applied to achieve that raw, manufactured industrial look, creating an unique

and distinct finish each time. With our bespoke finishing service, you'll also be able to specify a unique RAL colour, for any powder coating.

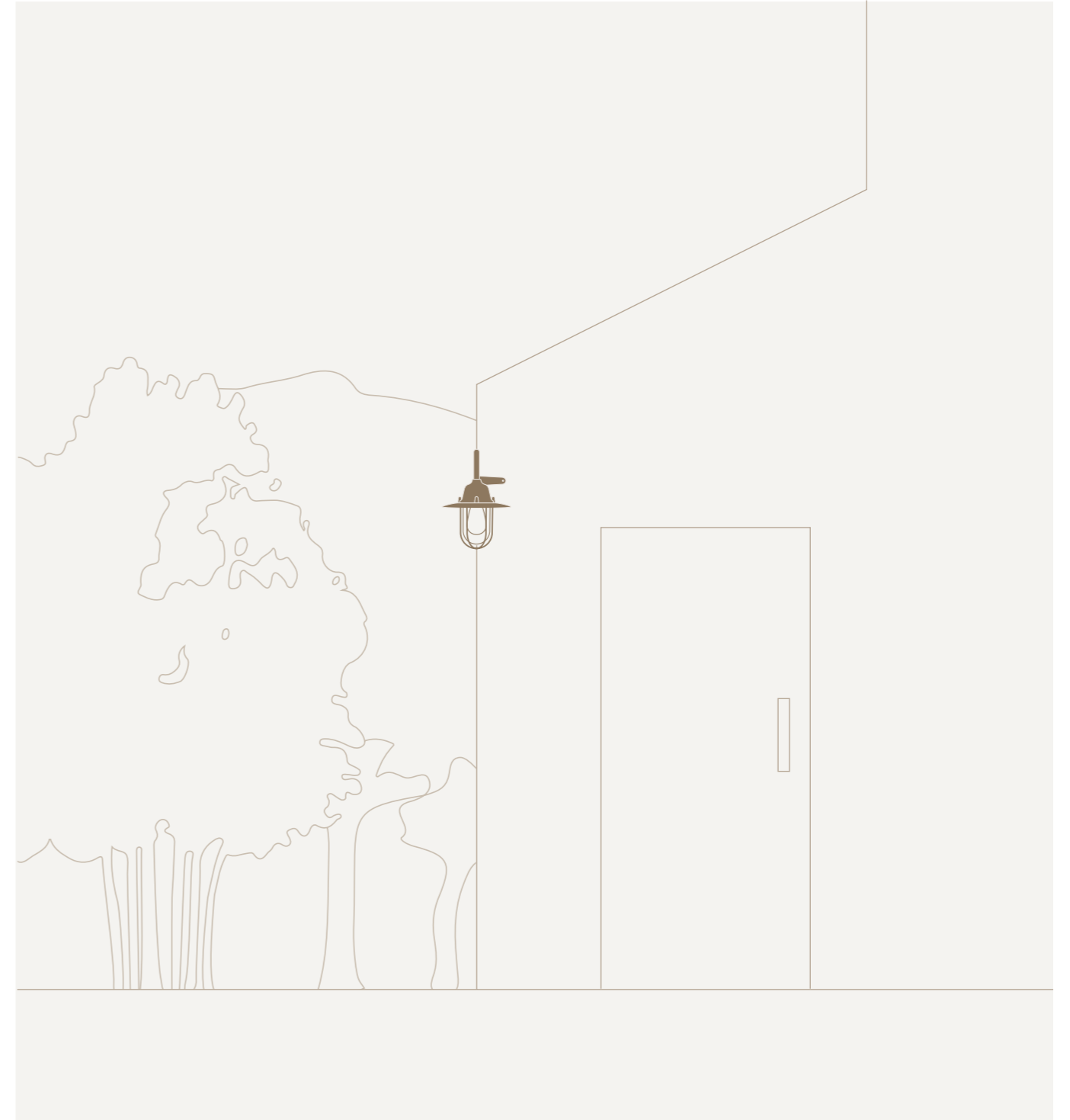
Customise

Create your ideal SW-10 specification by choosing the fitting type for your bulb (Bayonet Cap or Edison Screw) and specifying Clear or Frosted Wellglass Diffuser.



WEATHERED WAREHOUSES

No matter the weather, our SW-10 corner lights will brighten the darkest, foggiest nights down at the docks.



ANXIOUS ALLEYWAYS

When you absolutely must have light, our SW-10 corner light with reflector and cage always delivers.

80 YEARS OF SUSTAINABILITY



BUILT TO LAST.

Our lights are tough cookies, built to last and suitable for even the most extreme applications (or even a Hollywood set!)



LOCAL SUPPLIERS.

We have a long-standing policy of using suppliers and manufacturing within a 40 miles radius, keeping it local is keeping it sustainable.



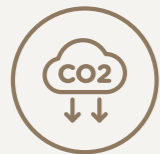
DESIGNED TO BE REPAIRED.

Our lights are designed to disassemble easily for repair or upgrade in the future as technology continues to improve.



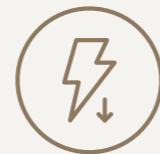
SUSTAINABLE PACKAGING

Each light is lovingly wrapped in recycled paper padding shipped in recycled cardboard packaging.



LOW CARBON MATERIALS

Where possible, we make our parts from low carbon materials that are recycled or can be recycled at end of life.



LOW ENERGY CONSUMPTION

As lighting technology evolves, so do our lights. Now, we use low energy LED bulbs to minimise energy consumption.

PRODUCT INFORMATION

Weight	1650 grams
IP Rating	IP65: Suitable for inside or outside use in wet weather environments. IP rated as "dust tight" and protected against water projected from a nozzle.
Product Dimensions	Width: 230mm; Length: 352mm; Depth: 437mm // From wall to edge of Reflector: 209mm // From wall to middle of light fitting: 323mm // Reflector diameter: 230mm // Width of corner wall mount: 247mm.
Materials	Cast Aluminium Casing; Formed Aluminium Tube Swan Neck; Laser Cut Steel Plate And Formed Steel Wire Cage; Pressed And Blown Glass Diffuser; TPU Gasket; Steel Screws; Porcelain Lamp Holder; Powder Coated Paint

ELECTRICAL CHARACTERISTICS

Power	Depends on bulb
Voltage	230V
Current	Depends on bulb

LUMINAIRE CHARACTERISTICS

Bulb Type	Edison Screw (E27) / Bayonet Cap (B22)
-----------	--

BE INSPIRED FOR YOUR NEXT PROJECT.
VISIT OUR SOCIAL MEDIA CHANNELS!



@JG.COUGHTRIE

VARIATION	COLOUR	PRODUCT CODE
CLEAR GLASS, BAYONET CAP	Black	SW-10/B/CL/BC+REFCORNERKIT+GUARD
	White	SW-10/W/CL/BC+REFCORNERKIT+GUARD
	Antique Bronze	SW-10/BRONZE/CL/BC+REFCORNERKIT+GUARD
	Industrial Aluminium	SW-10/S/CL/BC+REFCORNERKIT+GUARD
	Gloss Grey	SW-10/G/CL/BC+REFCORNERKIT+GUARD
CLEAR GLASS, EDISON SCREW	Black	SW-10/B/CL/ES+REFCORNERKIT+GUARD
	White	SW-10/W/CL/ES+REFCORNERKIT+GUARD
	Antique Bronze	SW-10/BRONZE/CL/ES+REFCORNERKIT+GUARD
	Industrial Aluminium	SW-10/S/CL/ES+REFCORNERKIT+GUARD
	Gloss Grey	SW-10/G/CL/ES+REFCORNERKIT+GUARD
FROSTED GLASS, BAYONET CAP	Black	SW-10/B/FG/BC+REFCORNERKIT+GUARD
	White	SW-10/W/FG/BC+REFCORNERKIT+GUARD
	Antique Bronze	SW-10/BRONZE/FG/BC+REFCORNERKIT+GUARD
	Industrial Aluminium	SW-10/S/FG/BC+REFCORNERKIT+GUARD
	Gloss Grey	SW-10/G/FG/BC+REFCORNERKIT+GUARD
FROSTED GLASS, EDISON SCREW	Black	SW-10/B/FG/ES+REFCORNERKIT+GUARD
	White	SW-10/W/FG/ES+REFCORNERKIT+GUARD
	Antique Bronze	SW-10/BRONZE/FG/ES+REFCORNERKIT+GUARD
	Industrial Aluminium	SW-10/S/FG/ES+REFCORNERKIT+GUARD
	Gloss Grey	SW-10/G/FG/ES+REFCORNERKIT+GUARD



9. SW-10 Swan Neck
Corner Light With
Reflector & Cage,
Gloss Grey

9.

PW-15 SWAN NECK CORNER LIGHT, CLEAR

Standard, Indoor-Outdoor

There are no bad angles with the PW-15 Globe Corner Light. Refined and extra-large, its silhouette is instantly recognisable. First launched in the 1960s it has been keeping the corners of distinguished buildings lit for over half a century.



3. PW-15 Swan Neck Corner Light, Clear, Industrial Aluminium

4. PW-15 Swan Neck Corner Light, Clear, White

3.



4.

1

SWEEPING SWAN NECK

The hand bent S shaped bracket elegantly directs the light away from the wall.

2

CORNER WALL BRACKET

Our cast aluminium corner bracket grips to the corner of buildings with 3 separate fixing points anchoring the PW-15, whatever the British weather throws at it.

3

CURVED CASTING

The gentle curve of the cast casing enables the light to fit flexibly in any environment.

4

PORCELAIN LAMP HOLDER

Your PW-15 can be supplied with a Bayonet Cap or Edison Screw lamp holder to fit an E27 or B22 bulb.

5

POLYCARBONATE DIFFUSER

The fine detailing on the inside of the polycarbonate diffuser helps spread light evenly below.



5.

FALL IN LOVE AT FIRST LIGHT

Super-sized, with a silky-smooth silhouette, see why our clear J&G Coughtrie PW-15 Swan Neck Globe Corner Light, is a great allrounder, all round corners.



6.

6. PW-15 Swan Neck Corner Light, Clear, Industrial Aluminium

7. PW-15 Swan Neck Corner Light, Diffuser Detail

8. PW-15 Swan Neck Corner Light, Clear, Antique Bronze



7.

Globally Rounded

Mounted off a sweeping swan neck - the large, curved, clear polycarbonate globe diffuser delivers a wide spread of light round corners – accentuating their form, or providing safe passage.



8.

Smooth and Silhouetted

Simple and gently curved the refined silhouette of the PW-15 has made it a favourite when high visual impact is required. Due to its classic nature, it can equally be paired with traditional heritage buildings or stripped back modern buildings.

FINISHED TO YOUR FANCY



Gloss Grey



Black



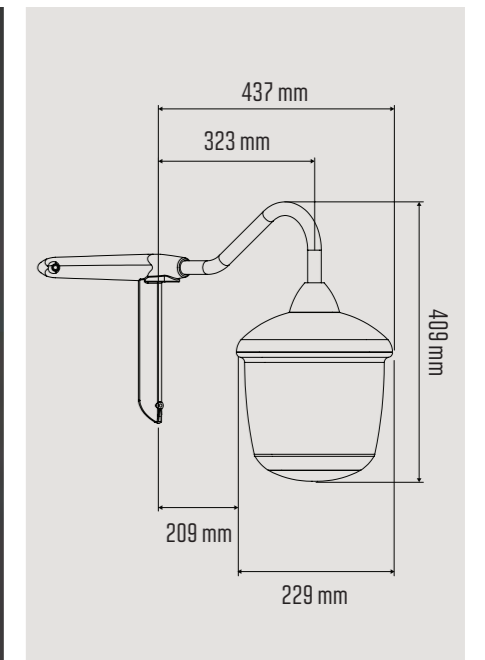
Antique Bronze



White



Industrial Aluminium



Any RAL Colour of Choice

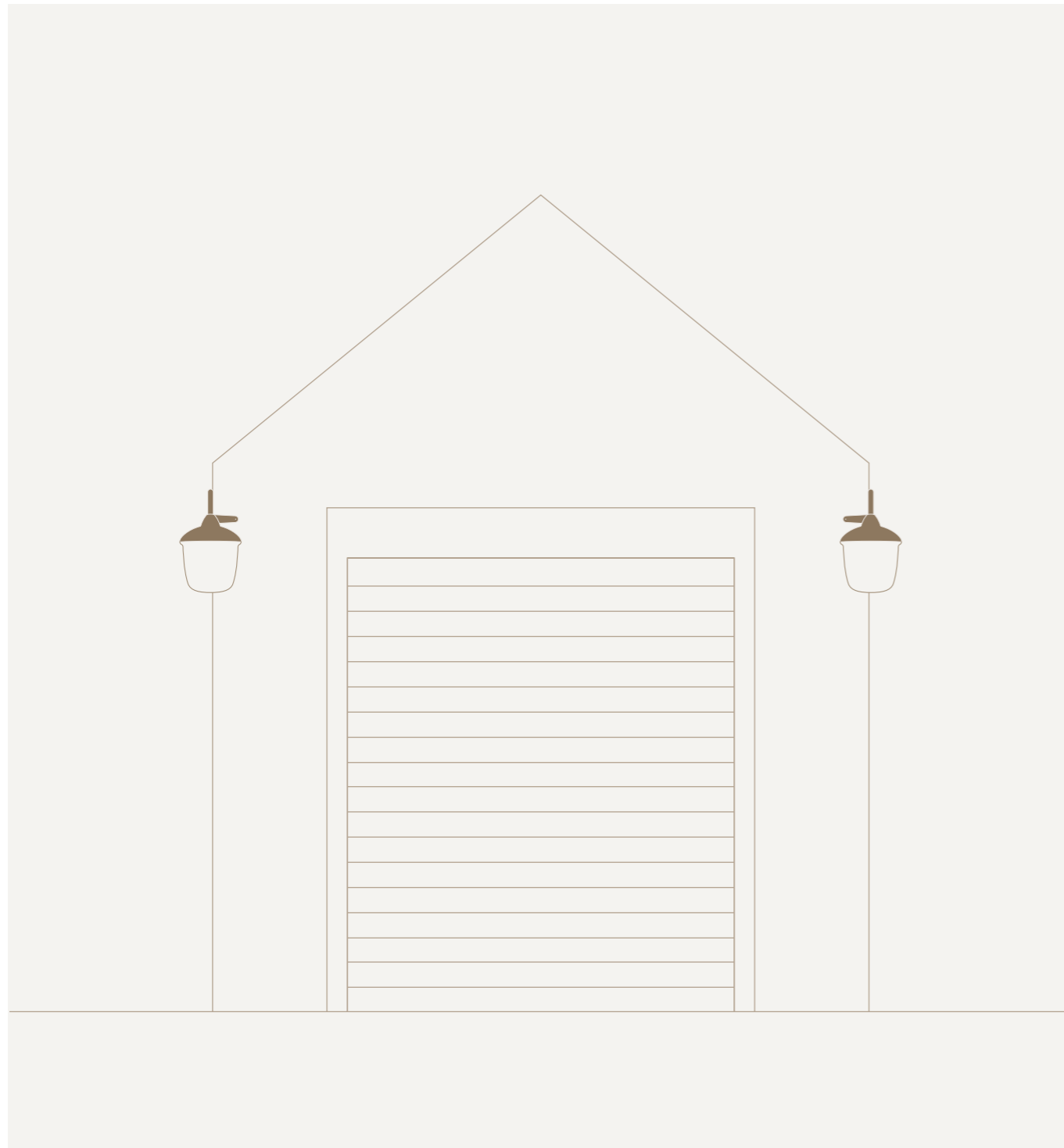
Colour

The PW-15 can be finished with several different options, to suit your flights of fancy, from powder-coated paint in a range of colours, to an industrial aluminium finish which simply has a clear, protective lacquer applied to achieve that raw, manufactured industrial look, creating an unique

and distinct finish each time. With our bespoke finishing service, you'll also be able to specify a unique RAL colour, for any powder coating.

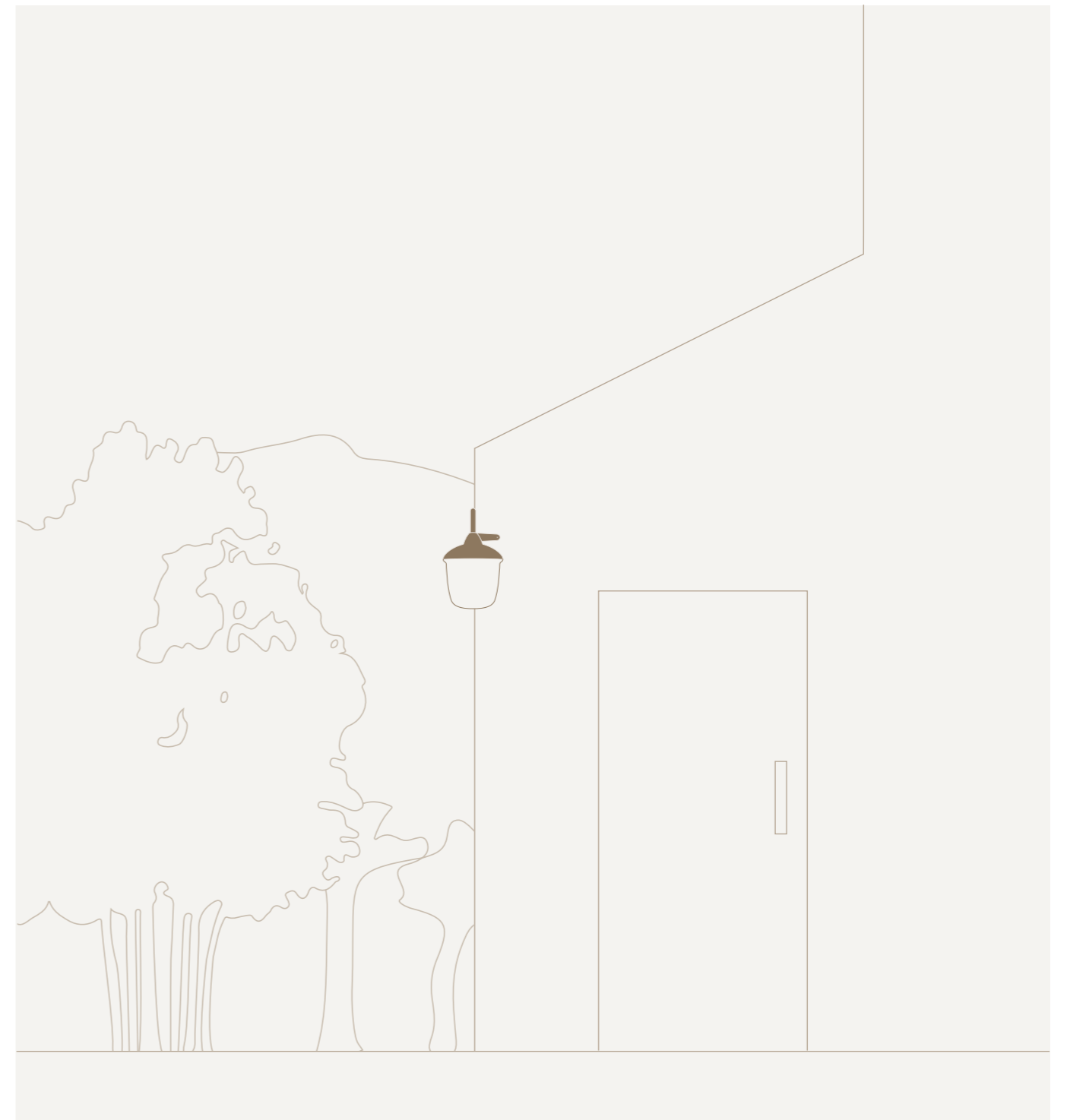
Customise

The PW collection is incredibly flexible. Standard mounts allow the light to be wall or corner mounted. Alternatively give our chaps and chapesses a bell to create a custom bracket for mounting or hanging as a pendant.



GORGEOUS GARAGES

Show off your garage or outbuildings' best angles, with a PW-15 on each corner.



STUNNING STREETCORNERS

Make your streetcorner desired, and your Clear PW-15 the envy of all your neighbours.

80 YEARS OF SUSTAINABILITY



BUILT TO LAST.

Our lights are tough cookies, built to last and suitable for even the most extreme applications (or even a Hollywood set!)



LOCAL SUPPLIERS.

We have a long-standing policy of using suppliers and manufacturing within a 40 miles radius, keeping it local is keeping it sustainable.



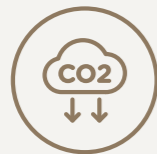
DESIGNED TO BE REPAIRED.

Our lights are designed to disassemble easily for repair or upgrade in the future as technology continues to improve.



SUSTAINABLE PACKAGING

Each light is lovingly wrapped in recycled paper padding shipped in recycled cardboard packaging.



LOW CARBON MATERIALS

Where possible, we make our parts from low carbon materials that are recycled or can be recycled at end of life.



LOW ENERGY CONSUMPTION

As lighting technology evolves, so do our lights. Now, we use low energy LED bulbs to minimise energy consumption.

PRODUCT INFORMATION

Weight	1600 grams
IP Rating	IP65: Suitable for inside or outside use in wet weather environments. IP rated as "dust tight" and protected against water projected from a nozzle.
Product Dimensions	Width: 229mm; Length: 409mm; Depth: 437mm // From wall to edge of light fitting: 209mm // From wall to middle of light fitting: 323mm // Light fitting diameter: 229mm // Light fitting height: 287mm // Width of corner wall mount: 247mm.
Materials	Cast Aluminium Casing; Formed Aluminium Tube Swan Neck; Polycarbonate Diffuser; TPU Gasket; Steel Screws; Porcelain Lamp Holder; Powder Coated Paint / Aluminium Anodising Finishing.

ELECTRICAL CHARACTERISTICS

Power	Depends on bulb
Voltage	230V
Current	Depends on bulb

LUMINAIRE CHARACTERISTICS

Bulb Type	Edison Screw (E27) / Bayonet Cap (B22)
-----------	--

BE INSPIRED FOR YOUR NEXT PROJECT.
VISIT OUR SOCIAL MEDIA CHANNELS!



@JG.COUGHTRIE

VARIATION	COLOUR	PRODUCT CODE
BAYONET CAP	Black	PW-15/B/CL/BC/CORNERKIT
	White	PW-15/W/CL/BC/CORNERKIT
	Antique Bronze	PW-15/BRONZE/CL/BC/CORNERKIT
	Industrial Aluminium	PW-15/S/CL/BC/CORNERKIT
	Gloss Grey	PW-15/G/CL/BC/CORNERKIT
EDISON SCREW	Black	PW-15/B/CL/ES/CORNERKIT
	White	PW-15/W/CL/ES/CORNERKIT
	Antique Bronze	PW-15/BRONZE/CL/ES/CORNERKIT
	Industrial Aluminium	PW-15/S/CL/ES/CORNERKIT
	Gloss Grey	PW-15/G/CL/ES/CORNERKIT

9. PW-15 Swan Neck
Corner Light, Clear,
Gloss Grey



9.

PW-15 SWAN NECK CORNER LIGHT, OPAL

Standard, Indoor-Outdoor

When softer, muted light is desired on a building corner, choose the extra-large opal PW-15 globe light paired with our cast aluminium corner bracket. Come wind or rain it's been steadfastly illuminating country estates or heritage sites in cities since the 1960s.



3. PW-15 Swan Neck Corner Light, Opal, Black

4. PW-15 Swan Neck Corner Light, Opal, White

3.



4.

1

SWEEPING SWAN NECK

The hand bent S shaped bracket elegantly directs the light away from the wall.

2

CORNER WALL BRACKET

Our cast aluminium corner bracket grips to the corner of buildings with 3 separate fixing points anchoring the PW-15, whatever the British weather throws at it.

3

CURVED CASTING

The gentle curve of the cast casing enables the light to fit flexibly in any environment.

4

PORCELAIN LAMP HOLDER

Your PW-15 can be supplied with a Bayonet Cap or Edison Screw lamp holder to fit an E27 or B22 bulb.

5

OPAL DIFFUSER

The clouded polycarbonate diffuser softly spreads light out evenly below.



5.

FALL IN LOVE AT FIRST LIGHT

Super-sized with a softer light, see why our opal J&G Coughtrie PW-15 Swan Neck Globe Wall Light, is a great allrounder, all round corners.



6.

6. PW-15 Swan Neck Corner Light, Opal, Industrial Aluminium

7. PW-15 Swan Neck Corner Light, Opal, White

8. PW-15 Swan Neck Corner Light, Opal, Industrial Aluminium



7.

Glowing Globe

Mounted off a sweeping swan neck - the large, opal globe diffuser delivers a soft spread of light. Use anywhere where upward light pollution needs to be avoided.



8.

Cast to Last

Fully waterproof and corrosion resistant, the solid cast aluminium case is built to last, no matter how high or exposed you choose to hang your PW-15.

FINISHED TO YOUR FANCY



Gloss Grey



Black



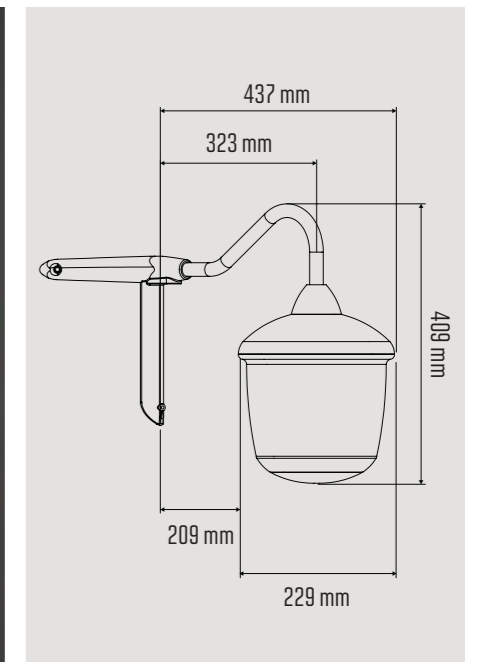
Antique Bronze



White



Industrial Aluminium



Any RAL Colour of Choice

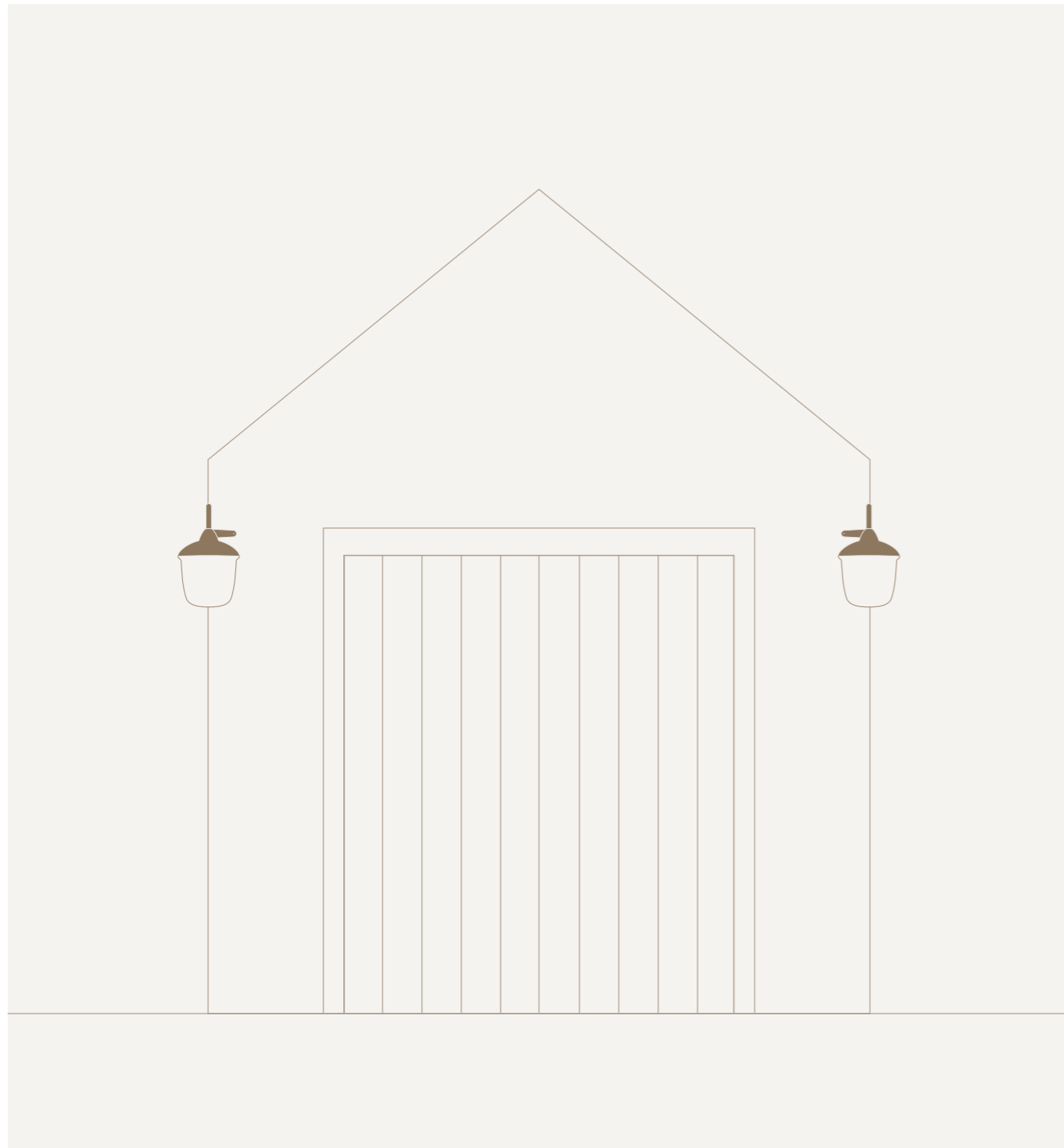
Colour

The PW-15 can be finished with several different options, to suit your flights of fancy, from powder-coated paint in a range of colours, to an industrial aluminium finish which simply has a clear, protective lacquer applied to achieve that raw, manufactured industrial look, creating an unique

and distinct finish each time. With our bespoke finishing service, you'll also be able to specify a unique RAL colour, for any powder coating.

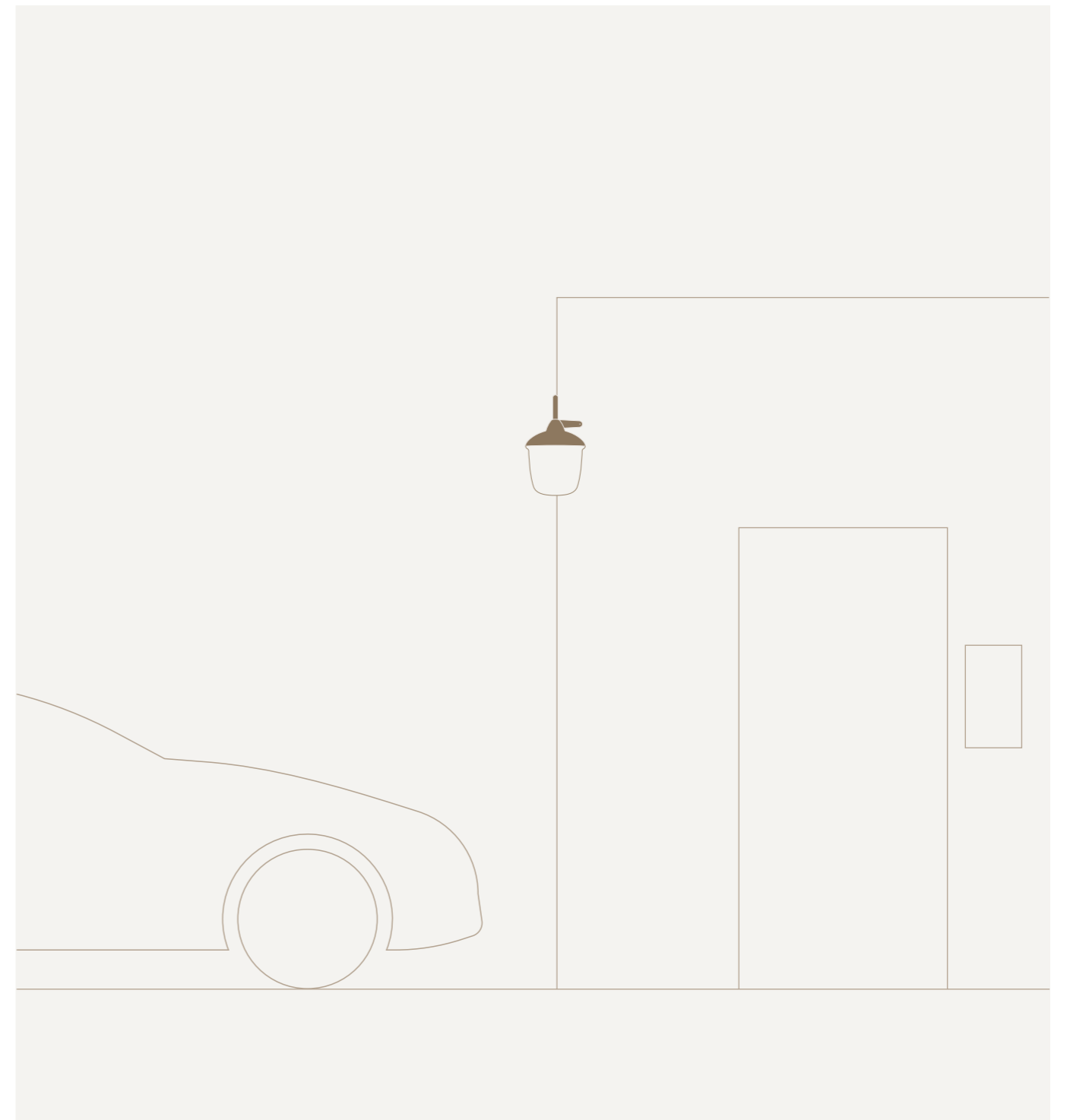
Customise

The PW collection is incredibly flexible. Standard mounts allow the light to be wall or corner mounted. Alternatively give our chaps and chapesses a bell to create a custom bracket for mounting or hanging as a pendant.



GORGEOUS GARAGES

Show off your garage or outbuildings' best angles, with a PW-15 on each corner.



DRIVEWAY DESIRES

Show your Aston off in the best possible light with a PW-15 fitted to the corner of your home.

80 YEARS OF SUSTAINABILITY



BUILT TO LAST.

Our lights are tough cookies, built to last and suitable for even the most extreme applications (or even a Hollywood set!)



LOCAL SUPPLIERS.

We have a long-standing policy of using suppliers and manufacturing within a 40 miles radius, keeping it local is keeping it sustainable.



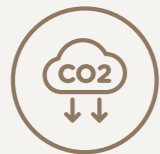
DESIGNED TO BE REPAIRED.

Our lights are designed to disassemble easily for repair or upgrade in the future as technology continues to improve.



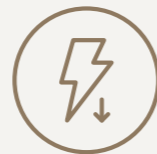
SUSTAINABLE PACKAGING

Each light is lovingly wrapped in recycled paper padding shipped in recycled cardboard packaging.



LOW CARBON MATERIALS

Where possible, we make our parts from low carbon materials that are recycled or can be recycled at end of life.



LOW ENERGY CONSUMPTION

As lighting technology evolves, so do our lights. Now, we use low energy LED bulbs to minimise energy consumption.

PRODUCT INFORMATION

Weight	1600 grams
IP Rating	IP65: Suitable for inside or outside use in wet weather environments. IP rated as "dust tight" and protected against water projected from a nozzle.
Product Dimensions	Width: 229mm; Length: 409mm; Depth: 437mm // From wall to edge of light fitting: 209mm // From wall to middle of light fitting: 323mm // Light fitting diameter: 229mm // Light fitting height: 287mm // Width of corner wall mount: 247mm.
Materials	Cast Aluminium Casing; Formed Aluminium Tube Swan Neck; Polycarbonate Diffuser; TPU Gasket; Steel Screws; Porcelain Lamp Holder; Powder Coated Paint / Aluminium Anodising Finishing.

ELECTRICAL CHARACTERISTICS

Power	Depends on bulb
Voltage	230V
Current	Depends on bulb

LUMINAIRE CHARACTERISTICS

Bulb Type	Edison Screw (E27) / Bayonet Cap (B22)
-----------	--

BE INSPIRED FOR YOUR NEXT PROJECT.
VISIT OUR SOCIAL MEDIA CHANNELS!



@JG.COUGHTRIE

VARIATION	COLOUR	PRODUCT CODE
BAYONET CAP	Black	PW-15/B/OP/BC/CORNERKIT
	White	PW-15/W/OP/BC/CORNERKIT
	Antique Bronze	PW-15/BRONZE/OP/BC/CORNERKIT
	Industrial Aluminium	PW-15/S/OP/BC/CORNERKIT
	Gloss Grey	PW-15/G/OP/BC/CORNERKIT
EDISON SCREW	Black	PW-15/B/OP/ES/CORNERKIT
	White	PW-15/W/OP/ES/CORNERKIT
	Antique Bronze	PW-15/BRONZE/OP/ES/CORNERKIT
	Industrial Aluminium	PW-15/S/OP/ES/CORNERKIT
	Gloss Grey	PW-15/G/OP/ES/CORNERKIT

9. PW-15 Swan Neck
Corner Light, Opal,
Gloss Grey



9.



COLLECTION 3:



LARGE BULKHEADS

- 01 SP-10 LARGE OVAL FLUORESCENT BULKHEAD
- 02 SP-10 LARGE OVAL FLUORESCENT BULKHEAD WITH CAGE
- 03 SP-12 LARGE OVAL LED BULKHEAD
- 04 SP-12 LARGE OVAL LED BULKHEAD WITH CAGE

SP-10 LARGE OVAL FLUORESCENT BULKHEAD

Standard, Indoor-Outdoor

Big, bulletproof and built for extremes our SP-10 Bulkhead is a timeless classic from the 1950s. Marvellous for both indoor elegance and maritime settings, it provides a soft, wide spread of atmospheric light.



3. SP-10 Large
Oval Fluorescent
Bulkhead, White

4. SP-10 Large
Oval Fluorescent
Bulkhead, Black

3.



4.

1

HOODED POWER PORTS

Rear, top and bottom access for power cable connection.

2

WINGED SCREW FLANGES

External screw mounting points enable the SP-10 to be quickly fixed in place for your ease - no need to open up the casing.

3

GLASS WITH CLASS, CHAPS

Thick, hand pressed, and blown glass diffuser, with distinctive decorative ribs, and our iconic Coughtrie brand mark. Available in clear or opal glass.

4

SHAPED FOR SERVICE

The SP-10's imposing yet classic oval style provides beauty with a practical purpose, for long lasting style and functionality.

5

BUILT FOR EXTREMES

The hand cast aluminium casing is salt spray certified, and section 12 tunnel approved, at home and happy as Larry in even the most extreme outdoor and maritime settings.

6

SCREW OR PUSH FITTINGS

With Bayonet Cap, or Edison Screw lamp holder fittings, the SP-10 can also be connected with a smart bulb, and integrated within your home controls. Super fancy!

5. SP-10 Large
Oval Fluorescent
Bulkhead, Industrial
Aluminium



5.

FALL IN LOVE AT FIRST LIGHT

Big, bulletproof and built for extremes, see why the J&G Coughtrie Large Oval Fluorescent Bulkhead is the strong but sensitive type.



6.

6. SP-10 Large
Oval Fluorescent
Bulkhead, Industrial
Aluminium



7.

Regal And Robust

Each light has been cast using traditional methods, using premium materials, with a solid aluminium case and chunky glass diffuser. Despite its elegant style, the SP-10 remains resolutely robust under any conditions, wet or dry.

7. SP-10 Large
Oval Fluorescent
Bulkhead, Antique
Bronze



8.

The Sensitive Type

The SP-10 casts an imposing light, thanks to its thick, hand pressed glass diffuser, providing wide, but gentle illumination. Available in clear or opal glass. The ceramic lamp holder can be fitted with a standard E27/B22 fluorescent bulb or choose a smart bulb with remote control.

8. SP-10 Large
Oval Fluorescent
Bulkhead, Black

FINISHED TO YOUR FANCY



Gloss Grey



Black



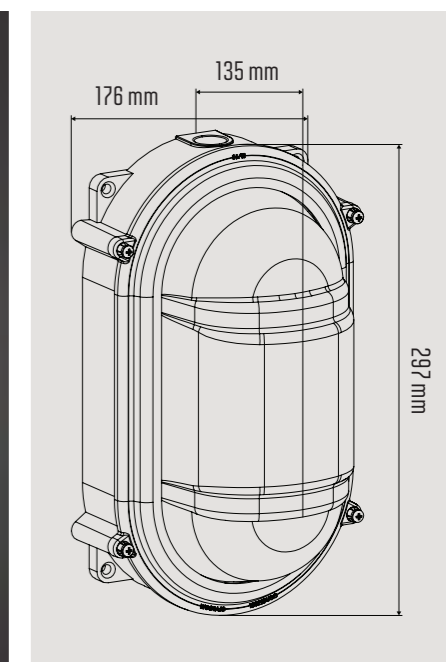
Antique Bronze



White



Industrial Aluminium



Any RAL Colour of Choice

Colour

The SP-10 can be finished with several different options, to suit your flights of fancy, from powder-coated paint in a range of colours, to an industrial aluminium finish which simply has a clear, protective lacquer applied to achieve that raw, manufactured industrial look, creating an unique and distinct finish each time.

With our bespoke finishing service, you'll also be able to specify a unique RAL colour, for powder coating.

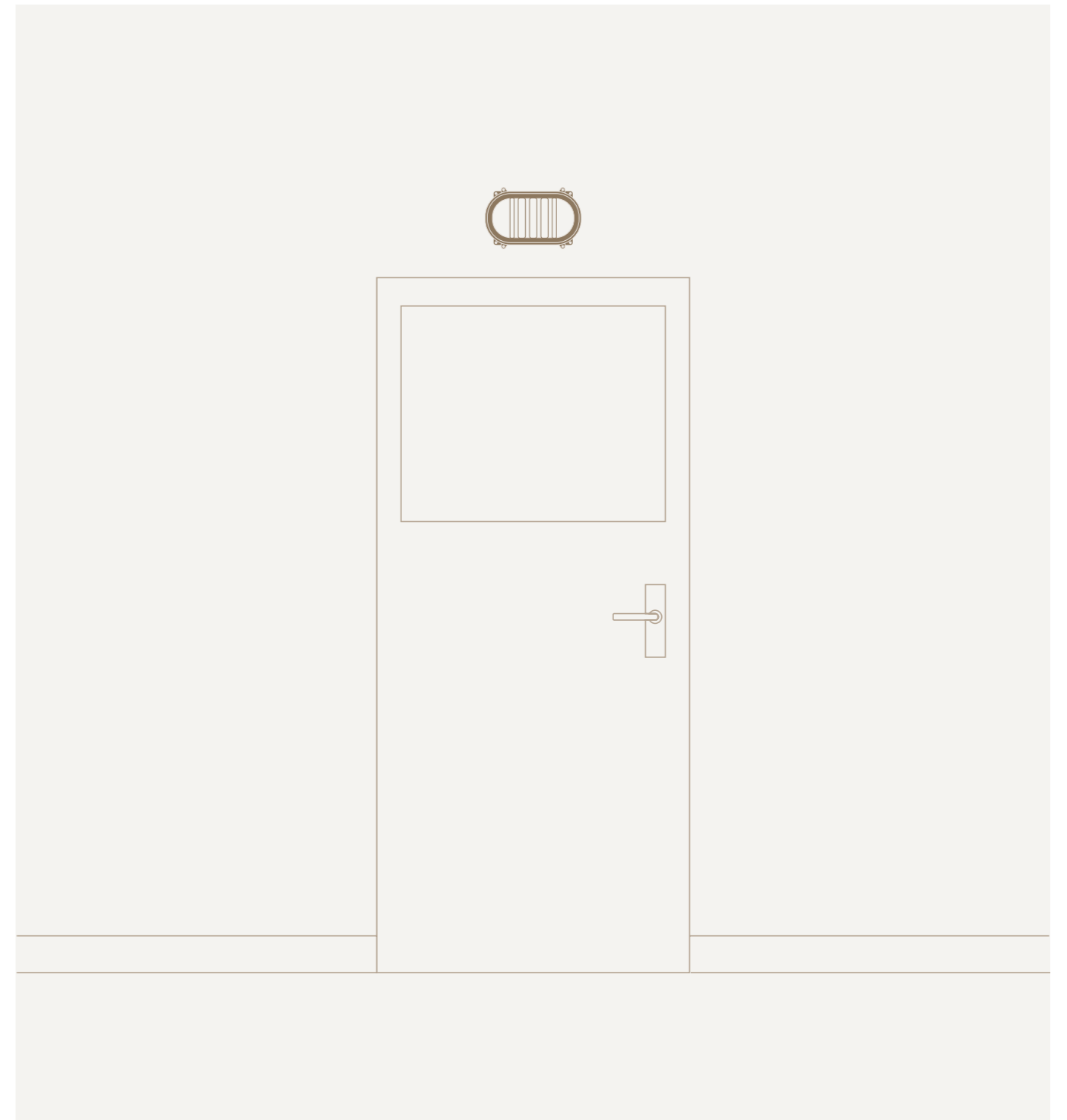
Customise

Create your ideal SP-10 specification by choosing the fitting type for your fluorescent bulb (Bayonet Cap or Edison Screw) and specifying Clear or Opal Glass.



PATIO PERFECTION

Glow gently into the night with SP-10s placed around your patio space.



DUTIFUL DOORWAYS

Ensure piece of mind with an SP-10 casting light above your building exit.

80 YEARS OF SUSTAINABILITY



BUILT TO LAST.

Our lights are tough cookies, built to last and suitable for even the most extreme applications (or even a Hollywood set!)



LOCAL SUPPLIERS.

We have a long-standing policy of using suppliers and manufacturing within a 40 miles radius, keeping it local is keeping it sustainable.



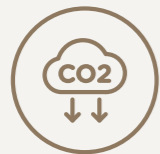
DESIGNED TO BE REPAIRED.

Our lights are designed to disassemble easily for repair or upgrade in the future as technology continues to improve.



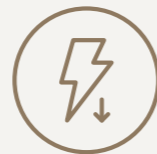
SUSTAINABLE PACKAGING.

Each light is lovingly wrapped in recycled paper padding shipped in recycled cardboard packaging.



LOW CARBON MATERIALS.

Where possible, we make our parts from low carbon materials that are recycled or can be recycled at end of life.



LOW ENERGY CONSUMPTION.

As lighting technology evolves, so do our lights. Now, we use low energy LED bulbs to minimise energy consumption.

PRODUCT INFORMATION

Weight	2200 grams
IP Rating	IP65: Suitable for inside or outside use in wet weather environments. IP rated as "dust tight" and protected against water projected from a nozzle.
Product Dimensions	Light fitting: Length: 297mm; Width: 176mm; Depth: 135mm
Materials	Cast Aluminium Casing; Pressed And Blown Glass Diffuser; Sheet Aluminium Gear Tray; TPU Gasket; Steel Screws; Porcelain Lamp Holder; Powder Coated Paint.

ELECTRICAL CHARACTERISTICS

Power	Depends on bulb
Voltage	230V
Current	Depends on bulb

LUMINAIRE CHARACTERISTICS

Bulb Type	Edison Screw (E27) / Bayonet Cap (B22)
-----------	--

BE INSPIRED FOR YOUR NEXT PROJECT.
VISIT OUR SOCIAL MEDIA CHANNELS!



@JG.COUGHTRIE

VARIATION	COLOUR	PRODUCT CODE
CLEAR GLASS, BAYONET CAP	Black	SP-10/B/CL/BC
	White	SP-10/W/CL/BC
	Antique Bronze	SP-10/BRONZE/CL/BC
	Industrial Aluminium	SP-10/S/CL/BC
	Gloss Grey	SP-10/G/CL/BC
CLEAR GLASS, EDISON SCREW	Black	SP-10/B/CL/ES
	White	SP-10/W/CL/ES
	Antique Bronze	SP-10/BRONZE/CL/ES
	Industrial Aluminium	SP-10/S/CL/ES
	Gloss Grey	SP-10/G/CL/ES
OPAL GLASS, BAYONET CAP	Black	SP-10/B/P/BC
	White	SP-10/W/P/BC
	Antique Bronze	SP-10/BRONZE/P/BC
	Industrial Aluminium	SP-10/S/P/BC
	Gloss Grey	SP-10/G/P/BC
OPAL GLASS, EDISON SCREW	Black	SP-10/B/P/ES
	White	SP-10/W/P/ES
	Antique Bronze	SP-10/BRONZE/P/ES
	Industrial Aluminium	SP-10/S/P/ES
	Gloss Grey	SP-10/G/P/ES



SP-10 Large Oval
Fluorescent Bulkhead,
Gloss Grey

SP-10 LARGE OVAL FLUORESCENT BULKHEAD WITH CAGE

Indoor-Outdoor

Big, bulletproof and built for extremes, our Caged SP-10 Bulkhead is a timeless classic from the 1950s, now with extra protection. Marvellous for both indoor elegance and maritime settings, it provides a soft, wide spread of atmospheric light and can shrug off knocks like a well-poised pugilist.



3. SP-10 Large
Oval Fluorescent
Bulkhead with Cage,
White

4. SP-10 Large
Oval Fluorescent
Bulkhead with Cage,
Gloss Grey

3.



4.

1

HOODED POWER PORTS

Rear, top and bottom access for power cable connection.

2

WINGED SCREW FLANGES

External screw mounting points enable the SP-10 to be quickly fixed in place for your ease - no need to open up the casing.

3

GLASS WITH CLASS, CHAPS

Thick, hand pressed, and blown glass diffuser, with distinctive decorative ribs, and our iconic Coughtrie brand mark. Available in clear or opal glass.

4

SHAPED FOR SERVICE

The SP-10's imposing yet classic oval style provides beauty with a practical purpose, for long lasting style and functionality. Both salt spray certified, and section 12 tunnel approved - this is one rugged light!

5

HAND-FORMED CAGE

The robust, hand-formed steel cage is mounted securely to the winged screw flanges and features 2 laser etched J&G Coughtrie branding disks.

6

SCREW OR PUSH FITTINGS

With Bayonet Cap, or Edison Screw lamp holder fittings, the SP-10 can also be fitted with a smart bulb and integrated within your home controls. Super fancy!

5. SP-10 Large
Oval Fluorescent
Bulkhead with Cage,
Gloss Grey



5.

FALL IN LOVE AT FIRST LIGHT

Big, bulletproof and built for extremes, see why the Caged SP-10 Large Oval Fluorescent Bulkhead is the strong but sensitive type.



6.

6. SP-10 Large
Oval Fluorescent
Bulkhead with Cage,
Antique Bronze

7. SP-10 Large
Oval Fluorescent
Bulkhead with Cage,
White

8. SP-10 Large
Oval Fluorescent
Bulkhead with Cage,
Gloss Grey



7.

A Wall-To-Wall Mounting Winner

Supremely versatile, the SP-10 can be wall or ceiling mounted, in both indoor and outdoor settings. From utility rooms, and traditional kitchens, to extreme maritime locations (did we mention it's 1000-hour salt spray tested?) The world is your lobster.



8.

The Ultimate Cage Lighter

Rated to IK10, the caged SP-10 shrugs off knocks without a second thought - Queensberry rules or not, my good man! The robust, hand-formed steel cage is mounted securely to the winged screw flanges and features 2 laser etched J&G Coughtrie branding disks. Each cage is treated to prevent rusting and painted to match the casing colour and can be purchased separately if desired.

PAINTENTLY PERFECT



Gloss Grey



Black



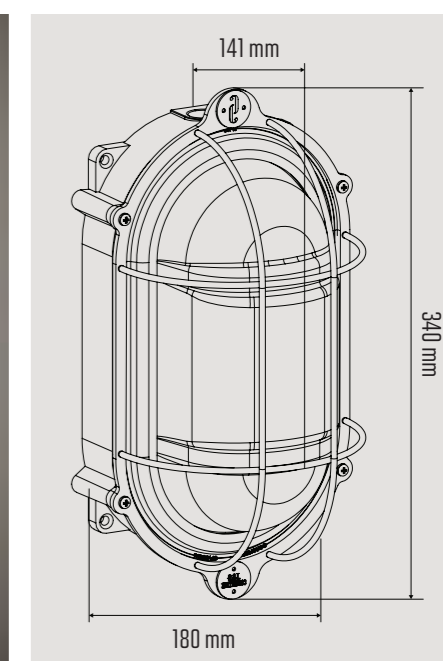
Antique Bronze



White



Industrial Aluminium



Any RAL Colour of Choice

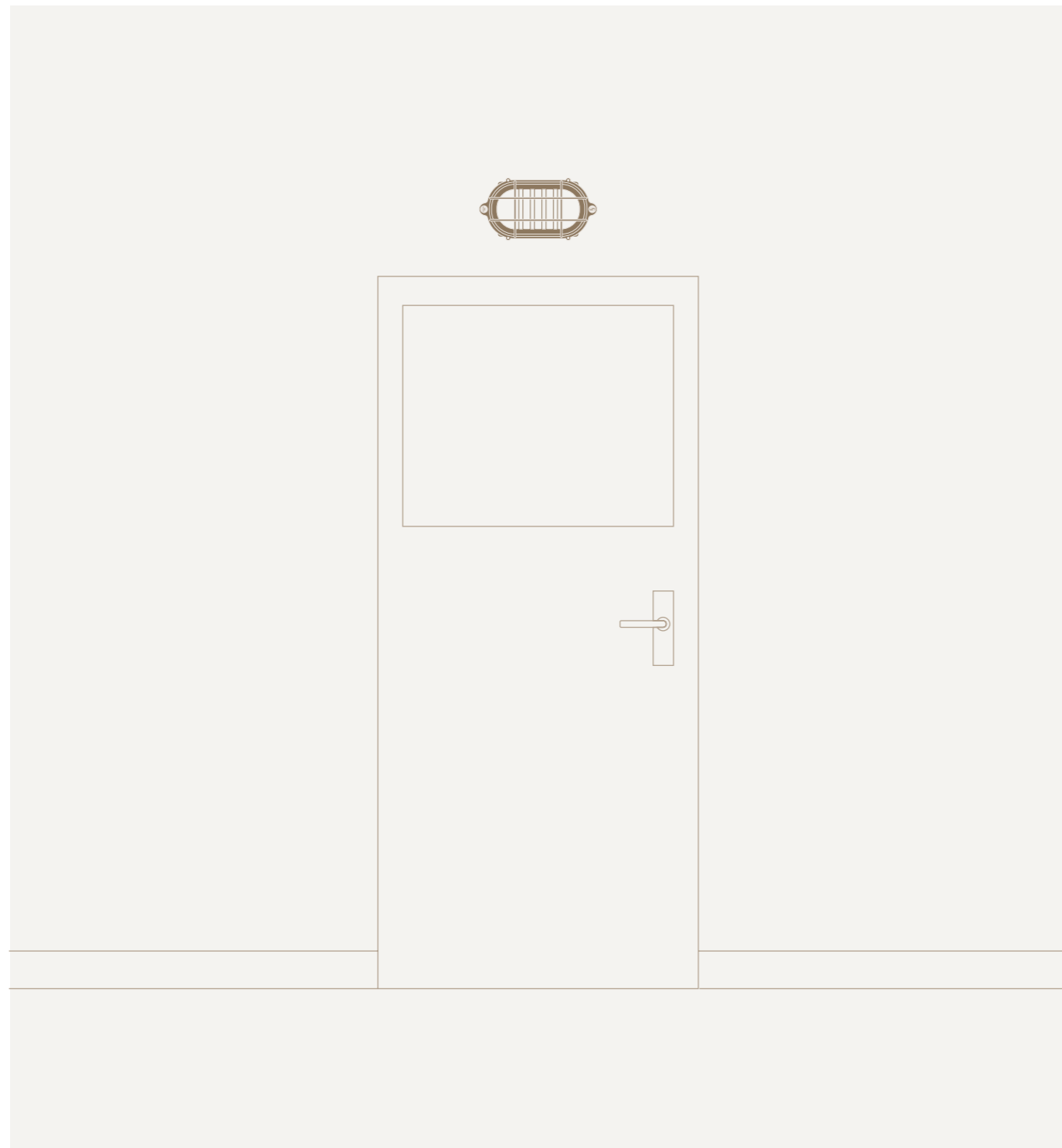
Colour

The SP-10 can be finished with several different options, to suit your flights of fancy, from powder-coated paint in a range of colours, to an industrial aluminium finish which simply has a clear, protective lacquer applied to achieve that raw, manufactured industrial look, creating a unique and distinct finish each time.

With our bespoke finishing service, you'll also be able to specify a unique RAL colour, for powder coating.

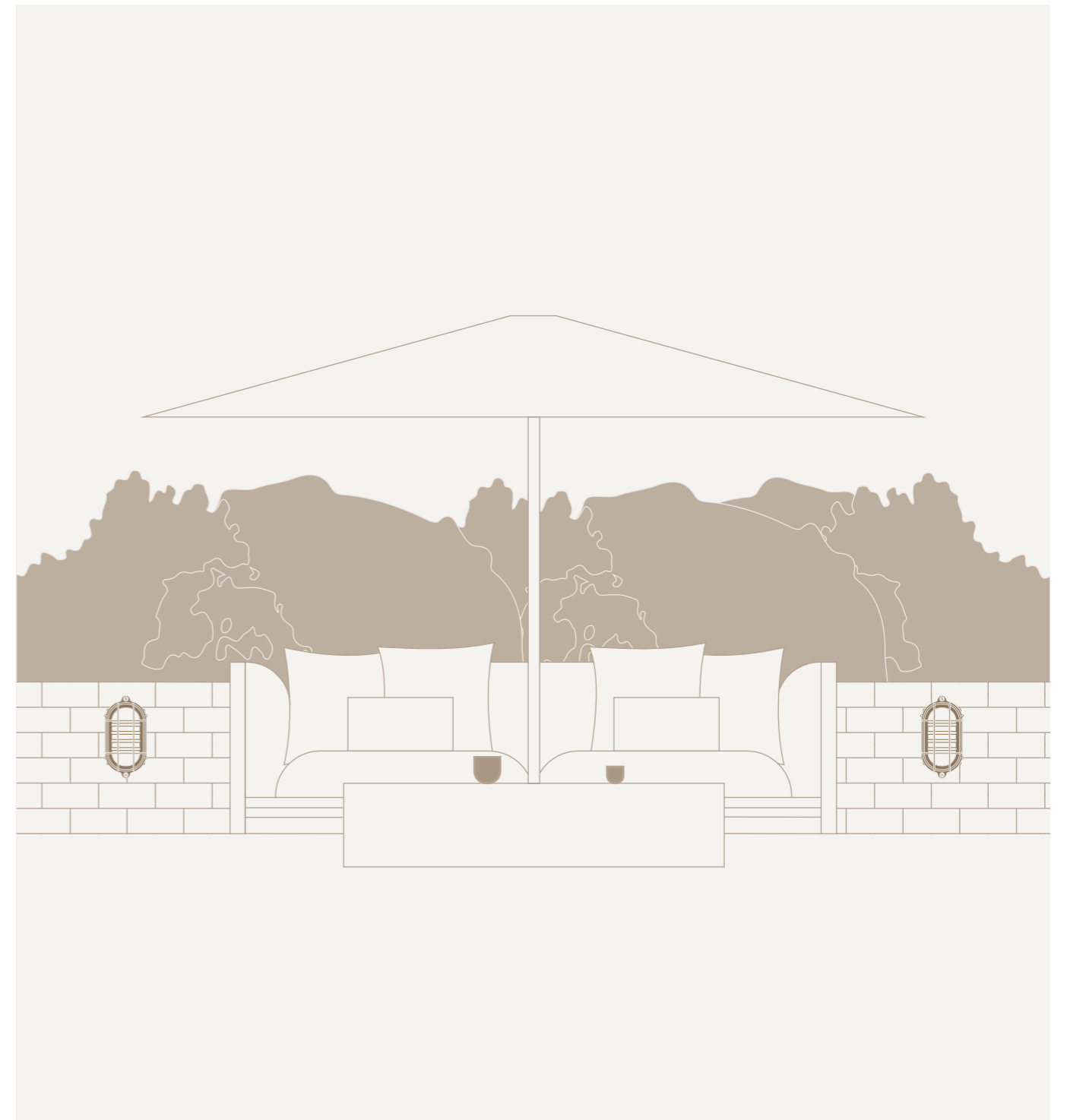
Customise

Create your ideal SP-10 specification by choosing the fitting for your fluorescent bulb (Bayonet Cap or Edison Screw) and specifying the diffuser in Clear or Opal glass. The cage can also be purchased separately and fitted to existing SP-10 lights.



SAFETY & SECURITY

Ensure all essential entry and exits are well lit, with an overhead, caged SP-10 Bulkhead.



PATIO PARADISE

Sup on a well earned Sundowner as your SP-10s gently light up your patio space.

80 YEARS OF SUSTAINABILITY



BUILT TO LAST.

Our lights are tough cookies, built to last and suitable for even the most extreme applications (or even a Hollywood set!)



LOCAL SUPPLIERS.

We have a long-standing policy of using suppliers and manufacturing within a 40 miles radius, keeping it local is keeping it sustainable.



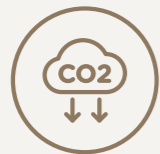
DESIGNED TO BE REPAIRED.

Our lights are designed to disassemble easily for repair or upgrade in the future as technology continues to improve.



SUSTAINABLE PACKAGING.

Each light is lovingly wrapped in recycled paper padding shipped in recycled cardboard packaging.



LOW CARBON MATERIALS.

Where possible, we make our parts from low carbon materials that are recycled or can be recycled at end of life.



LOW ENERGY CONSUMPTION.

As lighting technology evolves, so do our lights. Now, we use low energy LED bulbs to minimise energy consumption.

PRODUCT INFORMATION

Weight	2500 grams
IP Rating	IP65: Suitable for inside or outside use in wet weather environments. IP rated as "dust tight" and protected against water projected from a nozzle.
Product Dimensions	Light fitting with cage: Length 340mm; Width 180mm; Depth: 141mm. Cage dimensions on its own: Length 340mm; Width 180mm; Depth: 90mm; Weight 300 grams.
Materials	Cast Aluminium Casing; Pressed and Blown Glass Diffuser; Sheet Aluminium Gear Tray; Foam Gasket; Steel Screws; Porcelain Lamp Holder; Powder Coated Paint / Aluminium Anodising Finishing, Stainless Steel Cage.

ELECTRICAL CHARACTERISTICS

Power	Depends on bulb
Voltage	230V
Current	Depends on bulb

LUMINAIRE CHARACTERISTICS

Bulb Type	Edison Screw (E27) / Bayonet Cap (B22)
-----------	--

BE INSPIRED FOR YOUR NEXT PROJECT.
VISIT OUR SOCIAL MEDIA CHANNELS!



@JG.COUGHTRIE

VARIATION	COLOUR	PRODUCT CODE
CLEAR GLASS, BAYONET CAP	Black	SP-10/B/CL/BC+GUARD
	White	SP-10/W/CL/BC+GUARD
	Antique Bronze	SP-10/BRONZE/CL/BC+GUARD
	Industrial Aluminium	SP-10/S/CL/BC+GUARD
	Gloss Grey	SP-10/G/CL/BC+GUARD
CLEAR GLASS, EDISON SCREW	Black	SP-10/B/CL/ES+GUARD
	White	SP-10/W/CL/ES+GUARD
	Antique Bronze	SP-10/BRONZE/CL/ES+GUARD
	Industrial Aluminium	SP-10/S/CL/ES+GUARD
	Gloss Grey	SP-10/G/CL/ES+GUARD
OPAL GLASS, BAYONET CAP	Black	SP-10/B/P/BC+GUARD
	White	SP-10/W/P/BC+GUARD
	Antique Bronze	SP-10/BRONZE/P/BC+GUARD
	Industrial Aluminium	SP-10/S/P/BC+GUARD
	Gloss Grey	SP-10/G/P/BC+GUARD
OPAL GLASS, EDISON SCREW	Black	SP-10/B/P/ES+GUARD
	White	SP-10/W/P/ES+GUARD
	Antique Bronze	SP-10/BRONZE/P/ES+GUARD
	Industrial Aluminium	SP-10/S/P/ES+GUARD
	Gloss Grey	SP-10/G/P/ES+GUARD
CAGE ON ITS OWN	Black	SP-GUARD/B
	White	SP-GUARD/W
	Antique Bronze	SP-GUARD/B
	Industrial Aluminium	SP-GUARD/S
	Gloss Grey	SP-GUARD/G

9. SP-10 Large
Oval Fluorescent
Bulkhead with Cage,
Gloss Grey



9.

SP-12 LARGE OVAL LED BULKHEAD

Standard, Indoor-Outdoor

First made in the 1950s, the SP-12 Bulkhead has now been recreated for discerning modern customers like you, and fitted with 12W LEDs for better energy efficiency, and a brighter, whiter, lighter output. Ideal for indoor and outdoor use, especially when increased visibility is vital.



3. SP-12 Large Oval LED Bulkhead, Antique Bronze

4. SP-12 Large Oval LED Bulkhead Industrial Aluminium

3.



4.

SP-12 LARGE OVAL LED BULKHEAD

1

HOODED POWER PORTS

Rear, top and bottom access for power cable connection.

2

WINGED SCREW FLANGES

The external screw mounting points enable the SP-12 to be quickly fixed in place, without needing to go to the trouble of prising open the casing. Perfection!

3

GLASS WITH CLASS, CHAPS

Thick, hand pressed and blown opal glass diffuser, with distinctive decorative ribs, and our iconic Coughtrie brand mark. Available in clear or opal glass.

4

SHAPED FOR SERVICE

With its imposing, elegant oval shape, this is a beauty that can also don a practical head (the opposite of Marilyn Monroe).

5

BUILT FOR EXTREMES

With a robust, hand cast aluminium casing, the SP-12 is salt spray certified, and section 12 tunnel approved - this is one rugged light!

6

ULTRA EFFICIENT 12W LEDs

The 12W LEDs generate a bright, white, modern flood of light that provides extra clarity where required. They're also guaranteed for 50,000 hours, before they need to be replaced, easing your environmental woes.

5. SP-12 Large
Oval LED Bulkhead,
Antique Bronze

J&G COUGHTRIE



5.

FALL IN LOVE AT FIRST LIGHT

Brighter, whiter and lighter for the planet, see why the J&G Coughtrie Large Oval LED Bulkhead is suited to the discerning modern customer.



6.

6. SP-12 Large
Oval LED Bulkhead,
White



7.

Flexible Mounting In The Extreme

The marvellously versatile SP-12 can be wall and ceiling mounted, both indoors, and outdoors, making it one of our most versatile lights. From bathrooms and stairwells to rail tunnels and cooker hoods, the world really is your oyster, old chap.

7. SP-12 Large
Oval LED Bulkhead,
Antique Bronze



8.

Supremely Robust

Each light has been cast using premium materials, that include a stylish yet solid aluminium casing, with beautiful, thick glass ribbed diffuser. Each is also fully waterproof, and corrosion resistant, for use in both wet and dry conditions - even at seas (ahoy there, matey!)

8. SP-12 Large
Oval LED Bulkhead,
Industrial Aluminium

FINISHED TO YOUR FANCY



Gloss Grey



Black



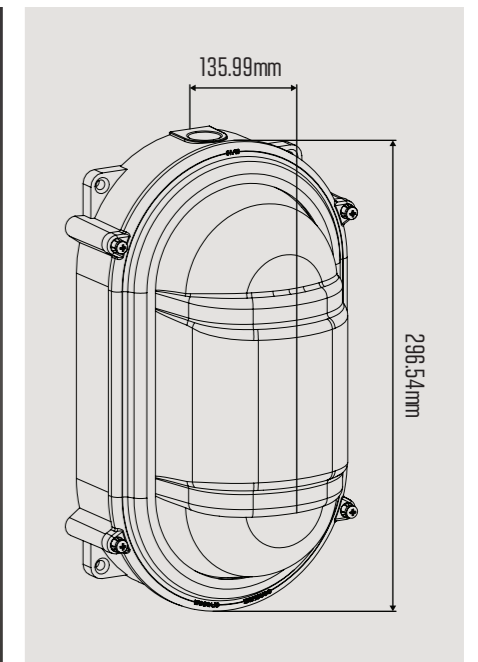
Antique Bronze



White



Industrial Aluminium



Any RAL Colour of Choice

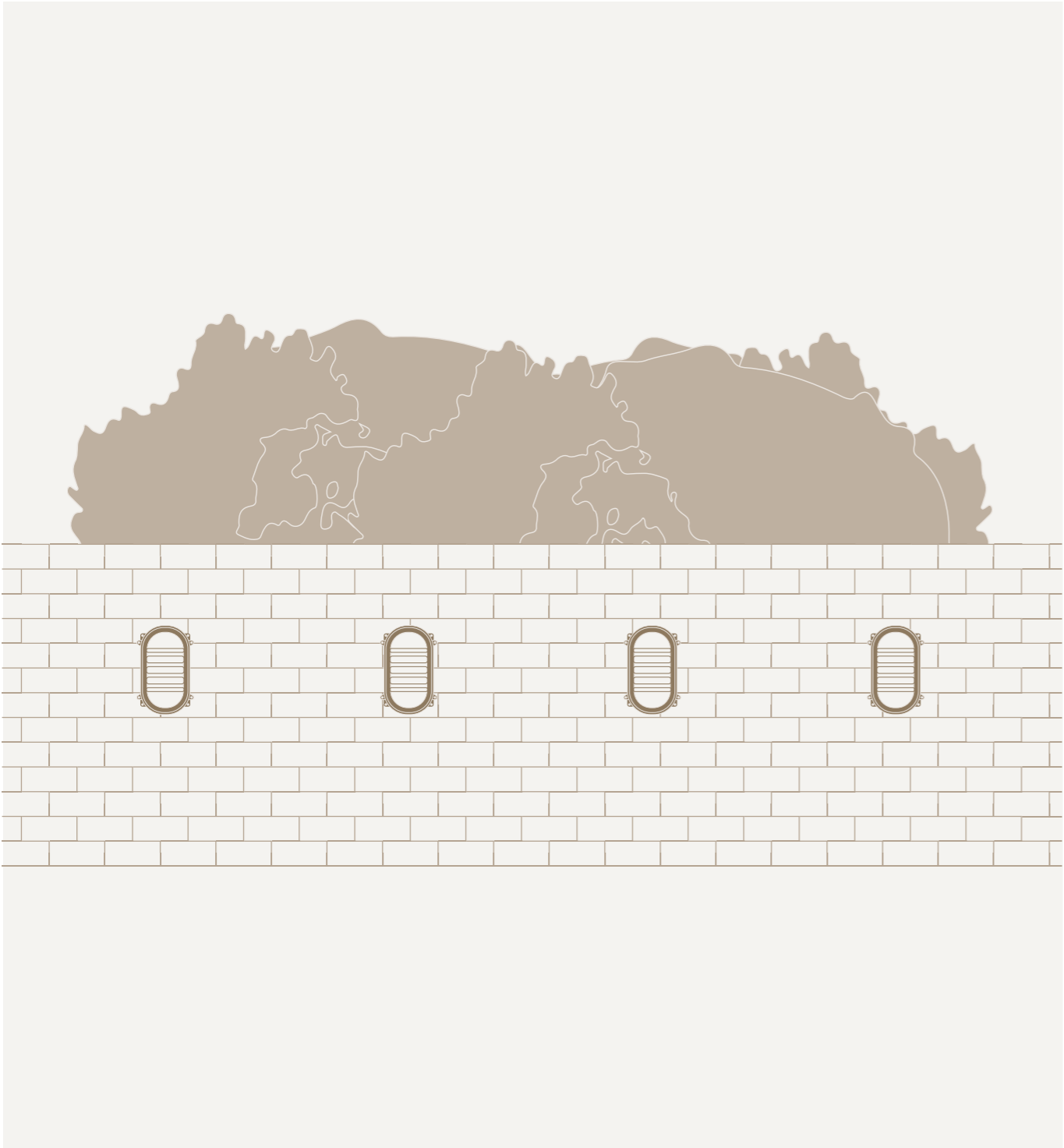
Colour

The SP-12 can be finished with several different options, to suit your flights of fancy, from powder-coated paint in a range of colours, to an industrial aluminium finish which simply has a clear, protective lacquer applied to achieve that raw, manufactured industrial look, creating an unique and distinct finish each time.

With our bespoke finishing service, you'll also be able to specify a unique RAL colour, for powder coating.

Customise

Choose between a Clear glass Diffuser or Opal for a softer light, and don't forget to include Presence Detection to optimise when your light is in use, or Emergency 3hr battery back-up for peace of mind in power cuts.



WALLSTREET WINNER

Raise the stock of your outdoor space with a row of SP-12 bulkheads to light it up.



DASHING DOORMEN

Post a SP-12 on either side of your doorways and keep the clientele strictly riff-raff free.

80 YEARS OF SUSTAINABILITY



BUILT TO LAST.

Our lights are tough cookies, built to last and suitable for even the most extreme applications (or even a Hollywood set!)



LOCAL SUPPLIERS.

We have a long-standing policy of using suppliers and manufacturing within a 40 miles radius, keeping it local is keeping it sustainable.



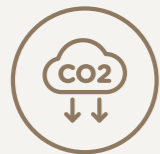
DESIGNED TO BE REPAIRED.

Our lights are designed to disassemble easily for repair or upgrade in the future as technology continues to improve.



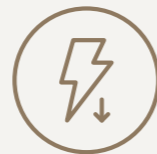
SUSTAINABLE PACKAGING.

Each light is lovingly wrapped in recycled paper padding shipped in recycled cardboard packaging.



LOW CARBON MATERIALS.

Where possible, we make our parts from low carbon materials that are recycled or can be recycled at end of life.



LOW ENERGY CONSUMPTION.

As lighting technology evolves, so do our lights. Now, we use low energy LED bulbs to minimise energy consumption.

PRODUCT INFORMATION

Weight	2200 grams
IP Rating	IP65: Suitable for inside or outside use in wet weather environments. IP rated as "dust tight" and protected against water projected from a nozzle.
Product Dimensions	Light fitting: Length: 297mm; Width: 176mm; Depth: 135mm
Materials	Cast Aluminium Casing; Pressed And Blown Glass Diffuser; Sheet Aluminium Gear Tray; TPU Gasket; Steel Screws; Porcelain Lamp Holder; Powder Coated Paint

ELECTRICAL CHARACTERISTICS

Power	12W
Voltage	34.29V
Current	0.35A

LUMINAIRE CHARACTERISTICS

LEDS	Variable	Efficacy	60.83lm/W
Driver	Constant Current	CRI	>80
Working Temperature	-25 to 50	CCT	4000K
Emergency Working Temperature	-5 to 50	Lifetime	50,000 hours
System Lumens	730lm		

PHOTOMETRIC DATA

Contact our Sales Team direct for any Photometric Data you may require.

**BE INSPIRED FOR YOUR NEXT PROJECT.
VISIT OUR SOCIAL MEDIA CHANNELS!**



@JG.COUGHTRIE

VARIATION	COLOUR	PRODUCT CODE
OPAL GLASS, STANDARD	Black	SP-12WLED/B/P
	White	SP-12WLED/W/P
	Antique Bronze	SP-12WLED/BRONZE/P
	Industrial Aluminium	SP-12WLED/S/P
	Gloss Grey	SP-12WLED/G/P
OPAL GLASS, PRESENCE DETECTION	Black	SP-12WLED+MWD(MS.021)/B/P
	White	SP-12WLED+MWD(MS.021)/W/P
	Antique Bronze	SP-12WLED+MWD(MS.021)/BRONZE/P
	Industrial Aluminium	SP-12WLED+MWD(MS.021)/S/P
	Gloss Grey	SP-12WLED+MWD(MS.021)/G/P
OPAL GLASS, BATTERY BACKUP	Black	SP-12WLED+EMG(LiFePO4)/B/P
	White	SP-12WLED+EMG(LiFePO4)/W/P
	Antique Bronze	SP-12WLED+EMG(LiFePO4)/BRONZE/P
	Industrial Aluminium	SP-12WLED+EMG(LiFePO4)/S/P
	Gloss Grey	SP-12WLED+EMG(LiFePO4)/G/P
CLEAR GLASS, STANDARD	Black	SP-12WLED/B/CL
	White	SP-12WLED/W/CL
	Antique Bronze	SP-12WLED/BRONZE/CL
	Industrial Aluminium	SP-12WLED/S/CL
	Gloss Grey	SP-12WLED/G/CL
CLEAR GLASS, PRESENCE DETECTION	Black	SP-12WLED+MWD(MS.021)/B/CL
	White	SP-12WLED+MWD(MS.021)/W/CL
	Antique Bronze	SP-12WLED+MWD(MS.021)/BRONZE/CL
	Industrial Aluminium	SP-12WLED+MWD(MS.021)/S/CL
	Gloss Grey	SP-12WLED+MWD(MS.021)/G/CL
CLEAR GLASS, BATTERY BACKUP	Black	SP-12WLED+EMG(LiFePO4)/B/CL
	White	SP-12WLED+EMG(LiFePO4)/W/CL
	Antique Bronze	SP-12WLED+EMG(LiFePO4)/BRONZE/CL
	Industrial Aluminium	SP-12WLED+EMG(LiFePO4)/S/CL
	Gloss Grey	SP-12WLED+EMG(LiFePO4)/G/CL



SP-12 Large Oval LED Bulkhead, White

SP-12 LARGE OVAL LED BULKHEAD WITH CAGE

Indoor-Outdoor

First made in the 1950s, the Caged SP-12 Bulkhead has been recreated for discerning modern customers like you, and fitted with 12W LEDs for better energy efficiency, and a brighter, whiter, lighter output. Now coupled with a handmade steel cage, it's the ideal light for high pass-through environments prone to knocks especially when increased visibility is vital.



3. SP-12 Large Oval LED Bulkhead with Cage, White

3. SP-12 Large Oval LED Bulkhead with Cage, Black

3.



4.

1

HOODED POWER PORTS

Rear, top and bottom access for power cable connection.

2

WINGED SCREW FLANGES

The external screw mounting points enable the SP-12 to be quickly fixed in place, without needing to go to the trouble of prising open the casing. Perfection!

3

GLASS WITH CLASS, CHAPS

Thick, hand pressed, and blown glass diffuser, with distinctive decorative ribs, and our iconic Coughtrie brand mark. Available in clear or opal glass.

4

SHAPED FOR SERVICE

The SP-12's imposing yet classic oval style provides beauty with a practical purpose, for long lasting style and functionality. Both salt spray certified, and section 12 tunnel approved - this is one rugged light!

5

HAND-FORMED CAGE

The robust, hand-formed steel cage is mounted securely to the winged screw flanges and features 2 laser etched J&G Coughtrie branding disks.

6

ULTRA EFFICIENT 12W LEDS

The 12W LEDs generate a bright, white, modern flood of light that provides extra clarity where required. They're also guaranteed for 50,000 hours, before they need to be replaced, easing your environmental woes.



5.

FALL IN LOVE AT FIRST LIGHT

Brighter, whiter and lighter for the planet, see why the Caged SP-12 Large Oval LED Bulkhead is suited to the discerning modern customer.



6.

6. SP-12 Large Oval LED Bulkhead with Cage, White

7. SP-12 Large Oval LED Bulkhead with Cage, Gloss Grey

8. SP-12 Large Oval LED Bulkhead with Cage, Industrial Aluminium



7.

A Wall-To-Wall Mounting Winner

The marvellously versatile Caged SP-12 can be wall and ceiling mounted, both indoors, and outdoors, making it one of our most versatile lights. From bathrooms and stairwells to rail tunnels and cooker hoods, the world really is your oyster, old chap.



8.

The Ultimate Cage Lighter

Rated to IK10, the caged SP-12 shrugs off knocks without a second thought - Queensberry rules or not, my good man! The robust, hand-formed steel cage is mounted securely to the winged screw flanges and features 2 laser etched J&G Coughtrie branding disks. Each cage is treated to prevent rusting and painted to match the casing colour and can be purchased separately if desired.

PAINTENTLY PERFECT



Gloss Grey



Black



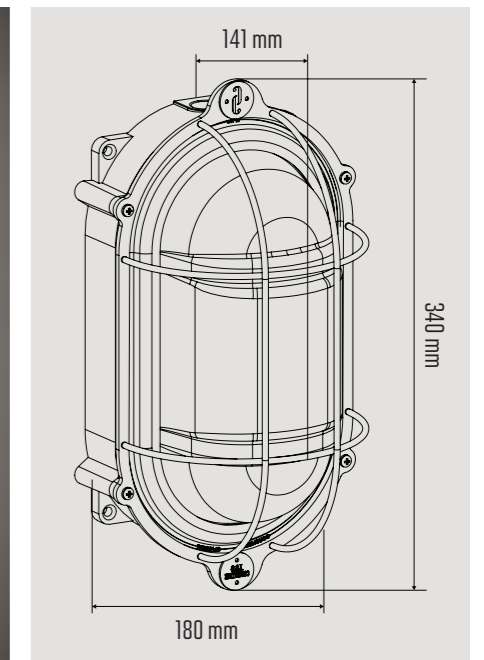
Antique Bronze



White



Industrial Aluminium



Any RAL Colour of Choice

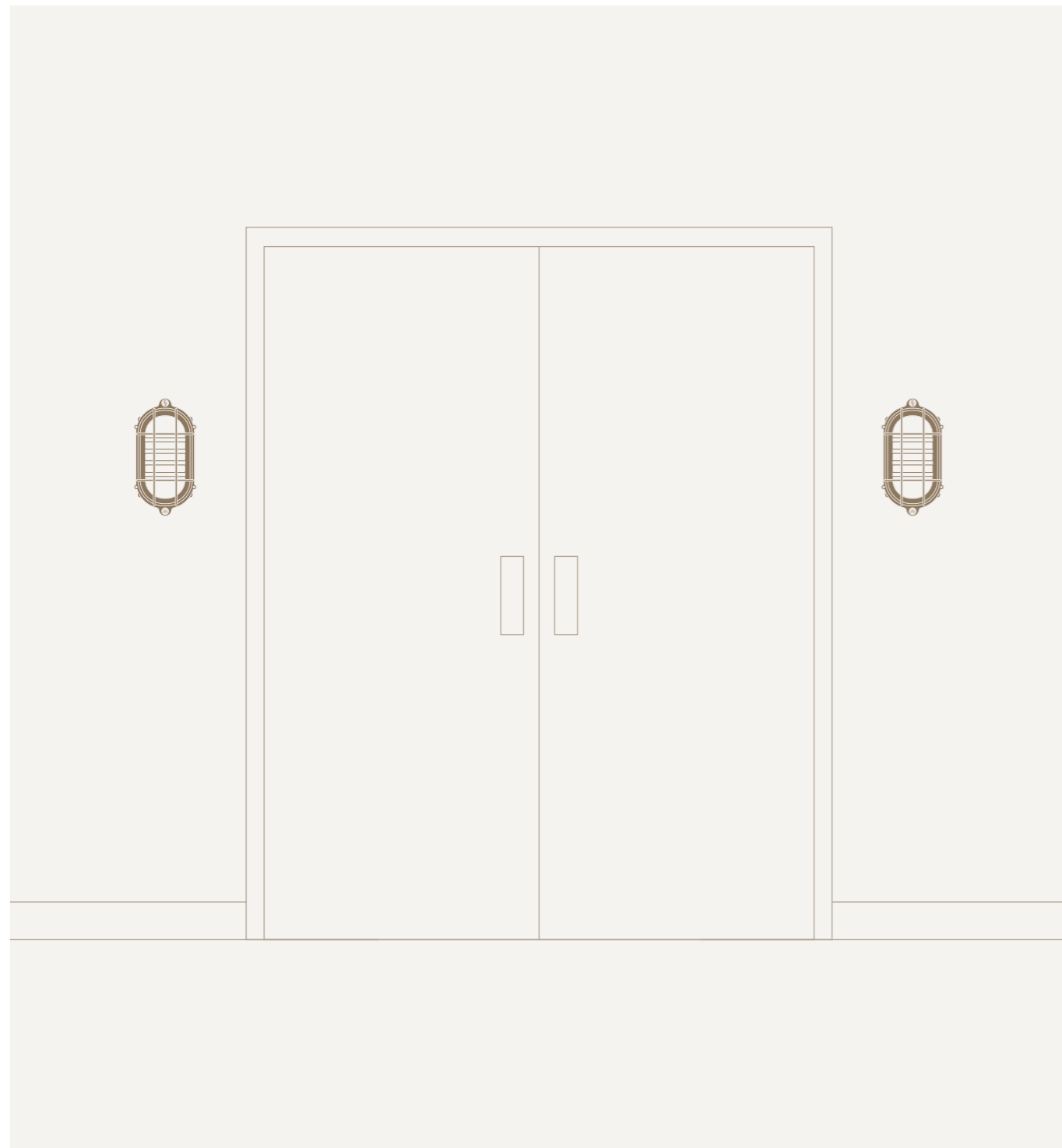
Colour

The Caged SP-12 can be finished with several different options, to suit your flights of fancy, from powder-coated paint in a range of colours, to an industrial aluminium finish which simply has a clear, protective lacquer applied to achieve that raw, manufactured industrial look, creating an unique and distinct finish each time.

With our bespoke finishing service, you'll also be able to specify a unique RAL colour, for powder coating.

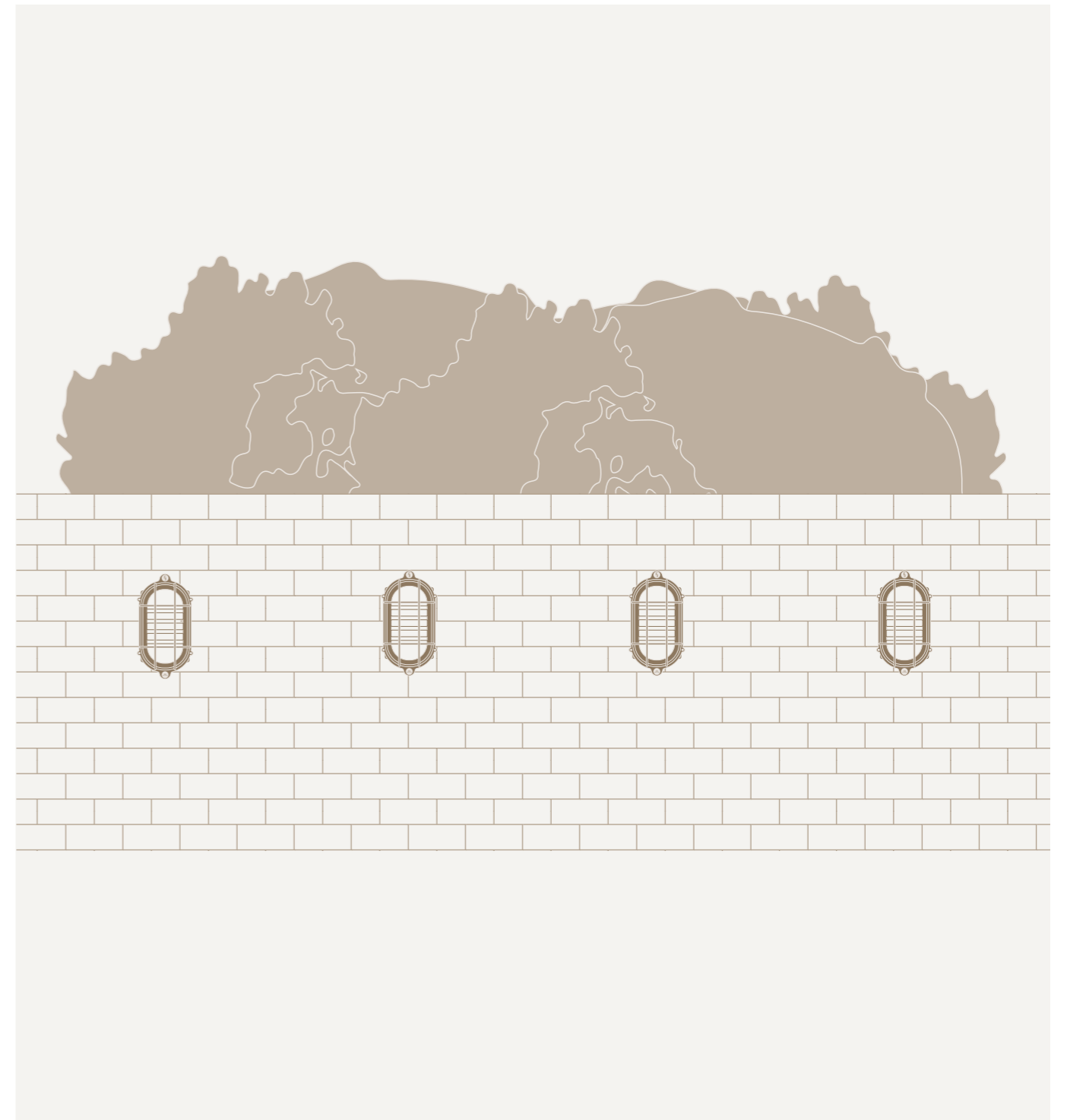
Customise

Choose between Clear or Opal Glass Diffuser, and don't forget to include Presence Detection to optimise when your light is in use, or Emergency 3hr battery back-up for peace-of-mind in power cuts. The cage can also be purchased separately and fitted to existing SP-12 lights.



SAFETY & SECURITY

Ensure all essential entry and exits are well lit, with a pair of caged SP-12 Bulkheads, flanking the doorway.



WONDER WALL

Definitely, maybe, the best way to reliably light your cark park or wall space with a line of SP-12 Bulkheads.

80 YEARS OF SUSTAINABILITY



BUILT TO LAST.

Our lights are tough cookies, built to last and suitable for even the most extreme applications (or even a Hollywood set!)



LOCAL SUPPLIERS.

We have a long-standing policy of using suppliers and manufacturing within a 40 miles radius, keeping it local is keeping it sustainable.



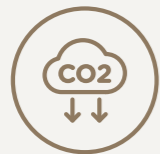
DESIGNED TO BE REPAIRED.

Our lights are designed to disassemble easily for repair or upgrade in the future as technology continues to improve.



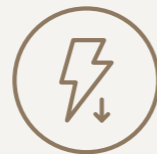
SUSTAINABLE PACKAGING.

Each light is lovingly wrapped in recycled paper padding shipped in recycled cardboard packaging.



LOW CARBON MATERIALS.

Where possible, we make our parts from low carbon materials that are recycled or can be recycled at end of life.



LOW ENERGY CONSUMPTION.

As lighting technology evolves, so do our lights. Now, we use low energy LED bulbs to minimise energy consumption.

PRODUCT INFORMATION

Weight	2500 grams
IP Rating	IP65: Suitable for inside or outside use in wet weather environments. IP rated as "dust tight" and protected against water projected from a nozzle.
Product Dimensions	Light fitting with cage: Length 340mm; Width 180mm; Depth: 141mm. Cage dimensions on its own: Length 340mm; Width 180mm; Depth: 90mm; Weight 300 grams.
Materials	Cast Aluminium Casing; Pressed And Blown Glass Diffuser; Sheet Aluminium Gear Tray; LED Board; Foam Gasket; Steel Screws; Powder Coated Paint / Aluminium Anodising Finishing, Stainless Steel Cage.

ELECTRICAL CHARACTERISTICS

Power	12W
Voltage	34.39V
Current	0.35A

LUMINAIRE CHARACTERISTICS

Bulb Type	LED
-----------	-----

BE INSPIRED FOR YOUR NEXT PROJECT.
VISIT OUR SOCIAL MEDIA CHANNELS!



@JG.COUGHTRIE

VARIATION	COLOUR	PRODUCT CODE
OPAL GLASS, STANDARD	Black	SP-12WLED/B/P+GUARD
	White	SP-12WLED/W/P+GUARD
	Antique Bronze	SP-12WLED/BRONZE/P+GUARD
	Industrial Aluminium	SP-12WLED/S/P+GUARD
	Gloss Grey	SP-12WLED/G/P+GUARD
OPAL GLASS, PRESENCE DETECTION	Black	SP-12WLED+MWD(MS.021)/B/P+GUARD
	White	SP-12WLED+MWD(MS.021)/W/P+GUARD
	Antique Bronze	SP-12WLED+MWD(MS.021)/BRONZE/P+GUARD
	Industrial Aluminium	SP-12WLED+MWD(MS.021)/S/P+GUARD
	Gloss Grey	SP-12WLED+MWD(MS.021)/G/P+GUARD
OPAL GLASS, BATTERY BACKUP	Black	SP-12WLED+EMG(LiFePO4)/B/P+GUARD
	White	SP-12WLED+EMG(LiFePO4)/W/P+GUARD
	Antique Bronze	SP-12WLED+EMG(LiFePO4)/BRONZE/P+GUARD
	Industrial Aluminium	SP-12WLED+EMG(LiFePO4)/S/P+GUARD
	Gloss Grey	SP-12WLED+EMG(LiFePO4)/G/P+GUARD
CLEAR GLASS, STANDARD	Black	SP-12WLED/B/CL+GUARD
	White	SP-12WLED/W/CL+GUARD
	Antique Bronze	SP-12WLED/BRONZE/CL+GUARD
	Industrial Aluminium	SP-12WLED/S/CL+GUARD
	Gloss Grey	SP-12WLED/G/CL+GUARD
CLEAR GLASS, PRESENCE DETECTION	Black	SP-12WLED+MWD(MS.021)/B/CL+GUARD
	White	SP-12WLED+MWD(MS.021)/W/CL+GUARD
	Antique Bronze	SP-12WLED+MWD(MS.021)/BRONZE/CL+GUARD
	Industrial Aluminium	SP-12WLED+MWD(MS.021)/S/CL+GUARD
	Gloss Grey	SP-12WLED+EMG(LiFePO4)/G/CL+GUARD
CLEAR GLASS, BATTERY BACKUP	Black	SP-12WLED+EMG(LiFePO4)/B/CL+GUARD
	White	SP-12WLED+EMG(LiFePO4)/W/CL+GUARD
	Antique Bronze	SP-12WLED+EMG(LiFePO4)/BRONZE/CL+GUARD
	Industrial Aluminium	SP-12WLED+EMG(LiFePO4)/S/CL+GUARD
	Gloss Grey	SP-12WLED+EMG(LiFePO4)/G/CL+GUARD
CAGE ON ITS OWN	Black	SP-GUARD/B
	White	SP-GUARD/W
	Antique Bronze	SP-GUARD/B
	Industrial Aluminium	SP-GUARD/S
	Gloss Grey	SP-GUARD/G



SP-12 Large Oval LED Bulkhead with Cage, Gloss Grey



COLLECTION 4:

COMPACT BULKHEADS

- 01 SY-6 COMPACT OVAL FLUORESCENT BULKHEAD
- 02 SY-6 COMPACT OVAL FLUORESCENT BULKHEAD WITH CAGE
- 03 SY-6 COMPACT OVAL LED BULKHEAD
- 04 SY-6 COMPACT OVAL LED BULKHEAD WITH CAGE

SY-6 COMPACT OVAL FLUORESCENT BULKHEAD, CLEAR

Standard, Indoor-Outdoor Use, Clear

Recreated from the original 1950s engineering drawings, the SY-6 bulkhead is compact, cosy and corrosion resistant. Fit it anywhere to create a soft, romantic ambiance, from stately homes to homely front rooms.



3. SY-6 Compact
Oval Fluorescent
Bulkhead, Clear,
Black

4. SY-6 Compact
Oval Fluorescent
Bulkhead, Clear,
White

3.



4.

1

3 POWER ACCESS PORTS

The SY-6 Bulkhead lighting range has power connection cable access at both rear, top, and bottom - choose the option that tickles your fancy.

2

MODULAR MOUNTING POINTS

End-lugs on the SY-6 range are designed to accommodate future clip-on accessories, extending the life of your lamp - that's a nod to sustainability, and style.

3

HAND PRESSED & BLOWN GLASS

With a thick, hand-blown glass diffuser that features decorative ribs, and a Coughtrie brand mark, this is one stylish range of light fittings that refuse to blend in with the rabble.

4

TIMELESS STYLING

The simple, oval shape of the SY-6 Bulkhead light fitting is elegant and timeless, yet fits with a range of different settings. One clever, and classy piece of glass.

5

CAST ALUMINIUM CASING

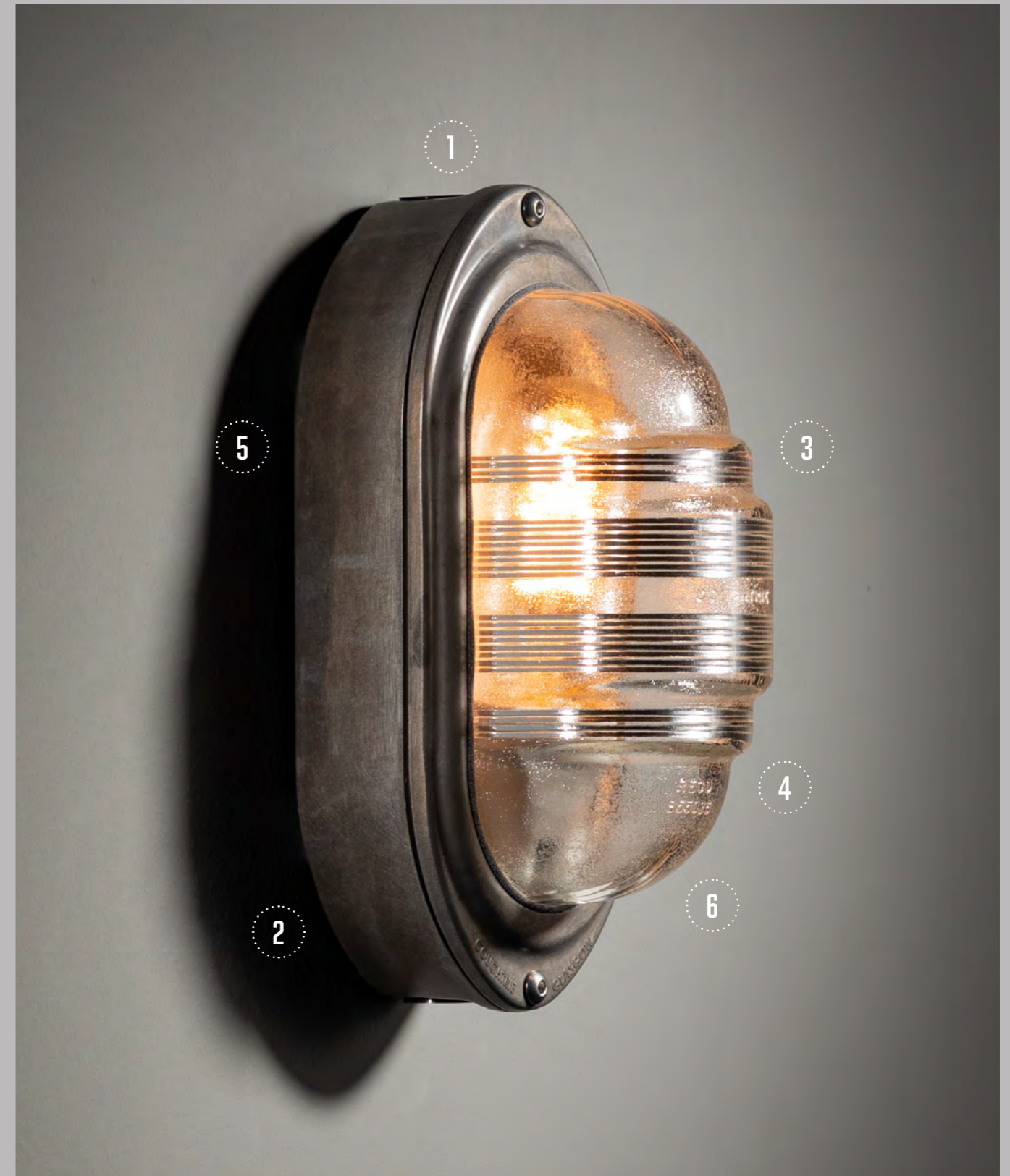
The corrosion resistant aluminium casing of the SY-6 Bulkhead light fitting has been cast by skilled craft workers in Glasgow. We've been doing it for 80 years, and we don't intend to stop any time soon!

6

PORCELAIN LAMP HOLDER

Your SY-6 can be supplied with a Bayonet Cap, or Edison Screw lamp holder. You can also fit it with Smart Bulb, to connect the lamp to your smart home control system for a magical remote light show.

5. SY-6 Compact
Oval Fluorescent
Bulkhead, Clear,
Industrial Aluminium



5.

FALL IN LOVE AT FIRST FIGHT

Our compact Bulkhead lights have a range of attractions that make them an adaptable choice for a range of settings, both indoors, and outdoors. What's not to love?



6.

6. SY-6 Compact Oval Fluorescent Bulkhead, Clear, White

7. SY-6 Compact Oval Fluorescent Bulkhead, Clear, Industrial Aluminium

8. SY-6 Compact Oval Fluorescent Bulkhead, Clear, Glass Diffuser



7.

Adaptable Anywhere

The compact size, and flexible mounting points of the SY-6 allows them to be placed in both indoor, and outdoor settings, anywhere you want to create soft, mood lighting. Place them anywhere from around your bathroom mirror, to above an external archway. These beautiful bulkheads light up corridors, side passageways, and can even be mounted atop fence posts on driveways, creating a romantic mood while you're parking your Bentley.



8.

Glow Your Mind

The beautiful thick glass diffuser of each SY-6 bulkhead spreads a soft glow of light across any setting. Each light also comes with a ceramic lamp holder that can be fitted with a standard E27/B22 fluorescent bulb, or even a smart bulb, for a remote light show!

FINISHED TO YOUR FANCY



Gloss Grey



Black



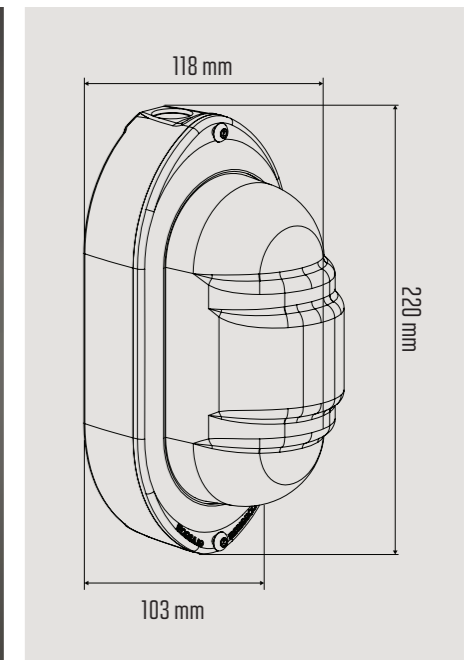
Antique Bronze



White



Industrial Aluminium



Any RAL Colour of Choice

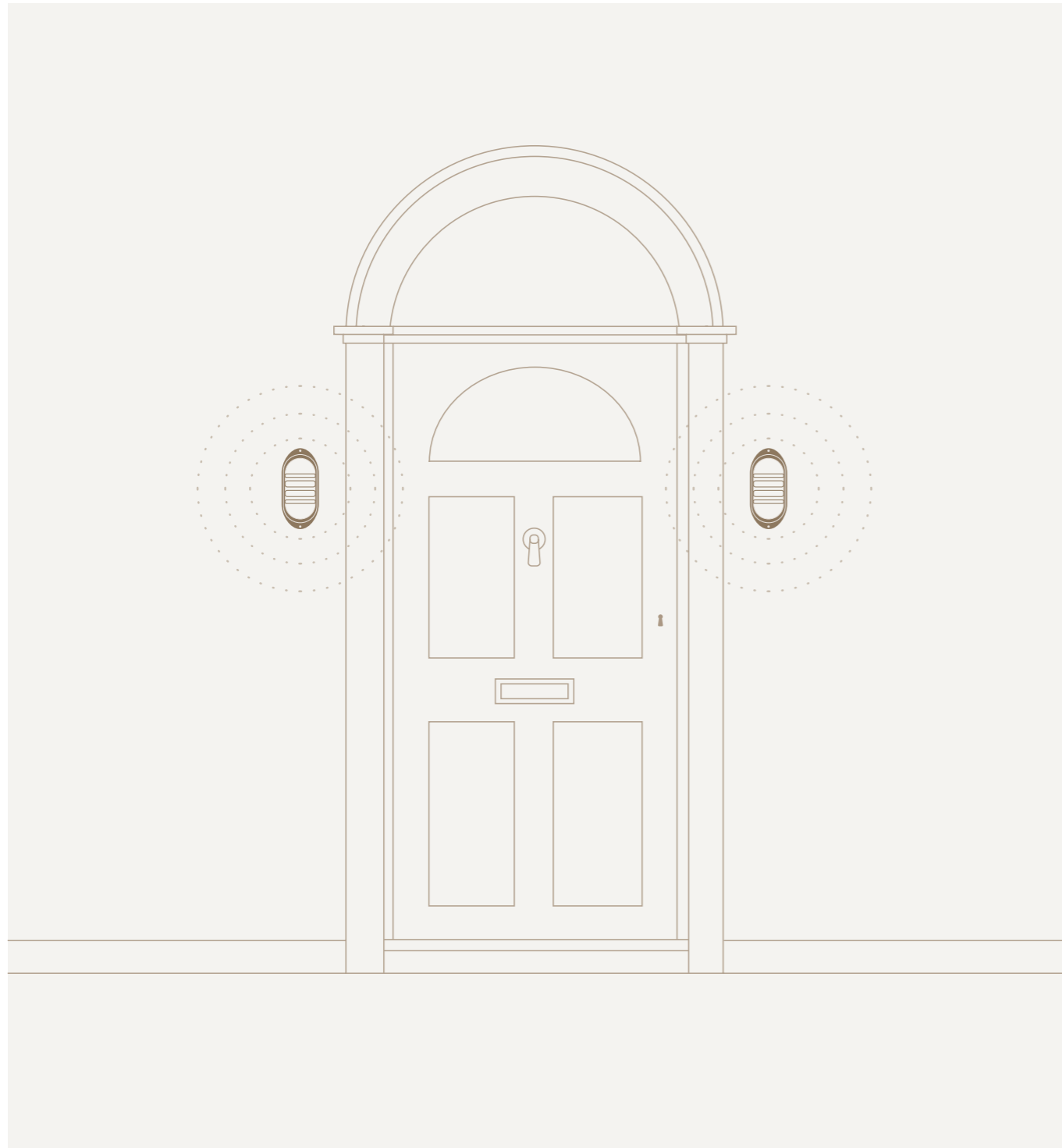
Colour

The SY-6 can be finished with a number of different options, to suit your flights of fancy, from powder-coated paint in a range of colours, to an industrial aluminium finish which simply has a clear, protective lacquer applied to achieve that raw, manufactured industrial look, creating an unique and distinct finish each time. Each light can also be anodised with a weathered bronze

finish, for rustic, antique effect. The choice is endless. The choice is also yours. And with our bespoke finishing service, you'll also be able to specify a unique RAL colour, for powder coating.

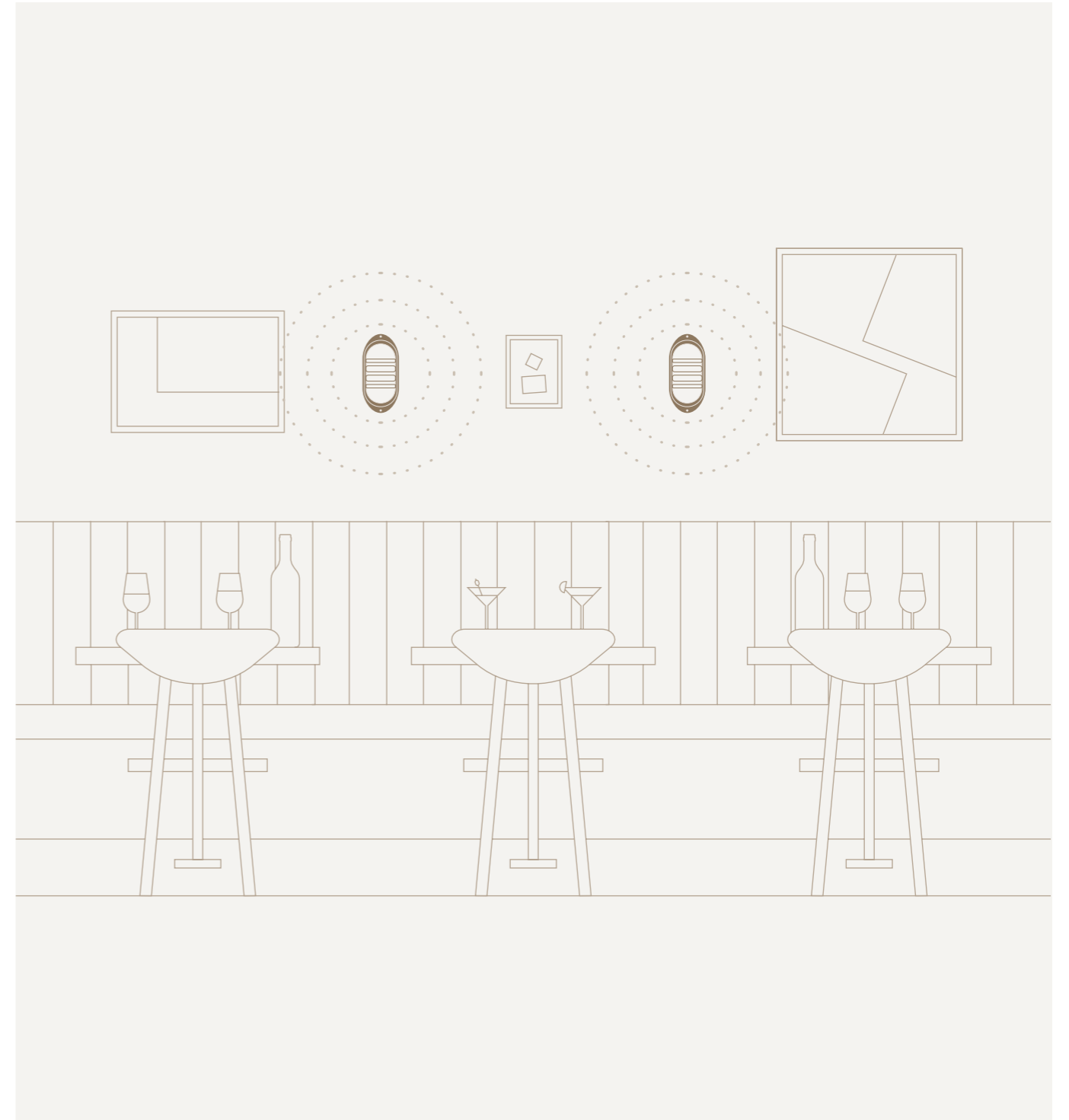
Customise

Create your ideal SY-6 specification, with Edison Screw or Bayonet Cap lamp holder.



ENTRANCE ENVY

Turn heads and hearts with a pair of SY-6 Bulkheads mounted on either side of your front door.



BARILLIANT BULKHEADS

Mount SY-6 Bulkheads on the walls of your bottle bar to bring sought after industrial style to the room.

80 YEARS OF SUSTAINABILITY



BUILT TO LAST.

Our lights are tough cookies, built to last and suitable for even the most extreme applications (or even a Hollywood set!)



LOCAL SUPPLIERS.

We have a long-standing policy of using suppliers and manufacturing within a 40 miles radius, keeping it local is keeping it sustainable.



DESIGNED TO BE REPAIRED.

Our lights are designed to disassemble easily for repair or upgrade in the future as technology continues to improve.



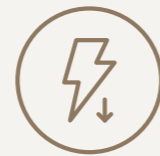
SUSTAINABLE PACKAGING.

Each light is lovingly wrapped in recycled paper padding shipped in recycled cardboard packaging.



LOW CARBON MATERIALS.

Where possible, we make our parts from low carbon materials that are recycled or can be recycled at end of life.



LOW ENERGY CONSUMPTION.

As lighting technology evolves, so do our lights. Now, we use low energy LED bulbs to minimise energy consumption.

PRODUCT INFORMATION

Weight	1000 grams
IP Rating	IP65: Suitable for inside or outside use in wet weather environments. IP rated as "dust tight" and protected against water projected from a nozzle.
Product Dimensions	Length: 220mm; Width: 103mm; Depth: 118mm
Materials	Cast Aluminium Casing; Pressed And Blown Glass Diffuser; Sheet Aluminium Gear Tray; TPU Gasket; Silicone Gasket; Steel Screws; CNC Sheet Steel Flanges; Porcelain Lamp Holder; Powder Coated Paint / Aluminium Anodising Finishing

ELECTRICAL CHARACTERISTICS

Power	Depends on bulb
Voltage	230V
Current	Depends on bulb

LUMINAIRE CHARACTERISTICS

Bulb Type	Edison Screw (E27) / Bayonet Cap (B22)
-----------	--

BE INSPIRED FOR YOUR NEXT PROJECT.
VISIT OUR SOCIAL MEDIA CHANNELS!



@JG.COUGHTRIE

VARIATION	COLOUR	PRODUCT CODE
BAYONET CAP	Black	SY6/B/CL/BC
	White	SY6/W/CL/BC
	Antique Bronze	SY6/BRONZE/CL/BC
	Industrial Aluminium	SY6/S/CL/BC
	Weathered Bronze	SY6/WBRONZE/CL/BC
	Gloss Grey	SY6/G/CL/BC
EDISON SCREW	Black	SY6/B/CL/ES
	White	SY6/W/CL/ES
	Antique Bronze	SY6/BRONZE/CL/ES
	Industrial Aluminium	SY6/S/CL/ES
	Weathered Bronze	SY6/WBRONZE/CL/ES
	Gloss Grey	SY6/G/CL/ES



SY-6 Compact Oval
Fluorescent Bulkhead,
Clear, Gloss Grey

SY-6 COMPACT OVAL FLUORESCENT BULKHEAD WITH CAGE

With Cage, Indoor-Outdoor, Clear or Frosted

Recreated from the original 1950s engineering drawings, the Caged SY-6 bulkhead is compact, cosy and corrosion resistant. Now featuring a robust, hand-formed steel cage, fit it anywhere inside or out wherever soft yet reliable night lighting is desired, whatever is thrown at it!



3. SY-6 Compact
Oval Fluorescent
Bulkhead with Cage,
Industrial Aluminium

4. SY-6 Compact
Oval Fluorescent
Bulkhead with Cage,
Gloss Grey

3.



4.

1

3 POWER ACCESS PORTS

The SY-6 Bulkhead lighting range has power connection cable access at both rear, top, and bottom - choose the option that tickles your fancy.

2

HAND-FORMED CAGE

Mounted on the modular mounting lugs at the top and bottom of the light, this SY-6 Bulkhead comes fitted with a robust, hand-formed steel cage.

3

HAND PRESSED & BLOWN GLASS

With a thick, hand pressed and blown glass diffuser that features decorative ribs, and a Coughtrie brand mark, this is one stylish range of light fittings that refuse to blend in with the riff raff. Available in Clear or Frosted Glass.

4

TIMELESS STYLING

The simple, oval shape of the SY-6 Bulkhead light fitting is elegant and timeless yet fits with a range of different settings.

5

CAST ALUMINIUM CASING

The corrosion resistant aluminium casing of the SY-6 Bulkhead light fitting has been hand-cast by skilled craft workers in Glasgow. We've been doing it for 80 years, and we don't intend to stop any time soon!

6

PORCELAIN LAMP HOLDER

Your SY-6 can be supplied with a Bayonet Cap, or Edison Screw lamp holder. You can also fit it with Smart Bulb, to connect the lamp to your smart home control system for a magical remote light show.



5.

FALL IN LOVE AT FIRST MIGHT

Our compact caged Bulkhead lights have a range of attractions that make them an adaptable choice for a range of settings, both indoors, and outdoors. What's not to love?



6.

6. SY-6 Compact Oval Fluorescent Bulkhead with Cage, White

7. SY-6 Compact Oval Fluorescent Bulkhead with Cage, Industrial Aluminium

8. SY-6 Compact Oval Fluorescent Bulkhead with Cage, Black



7.

Adaptable Anywhere

The compact size, and flexible mounting points of the SY-6 allows them to be placed in both indoor, and outdoor settings. The cage now gives that extra piece of mind, protecting the glass diffuser against any knocks or flying debris in inclement weather. Place them outside on fence posts, along side passageways or up staircases - wherever soft yet reliable night lighting is desired. Indoors - introduce a nautical feel to your bathrooms, above basins and around mirrors.



8.

Glow Your Mind

The beautiful thick glass diffuser of each SY-6 bulkhead spreads a soft glow of light across any setting. Each light also comes with a ceramic lamp holder that can be fitted with a standard E27/ B22 fluorescent bulb, or even a smart bulb, for a remote light show!

PAINTENTLY PERFECT



Gloss Grey



Black



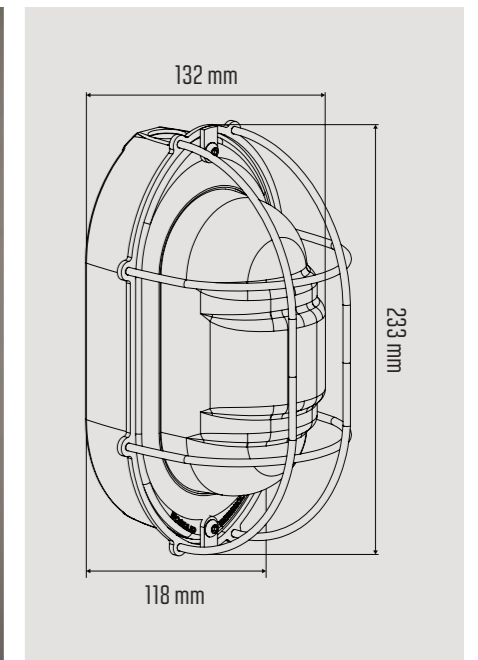
Antique Bronze



White



Industrial Aluminium



Any RAL Colour of Choice

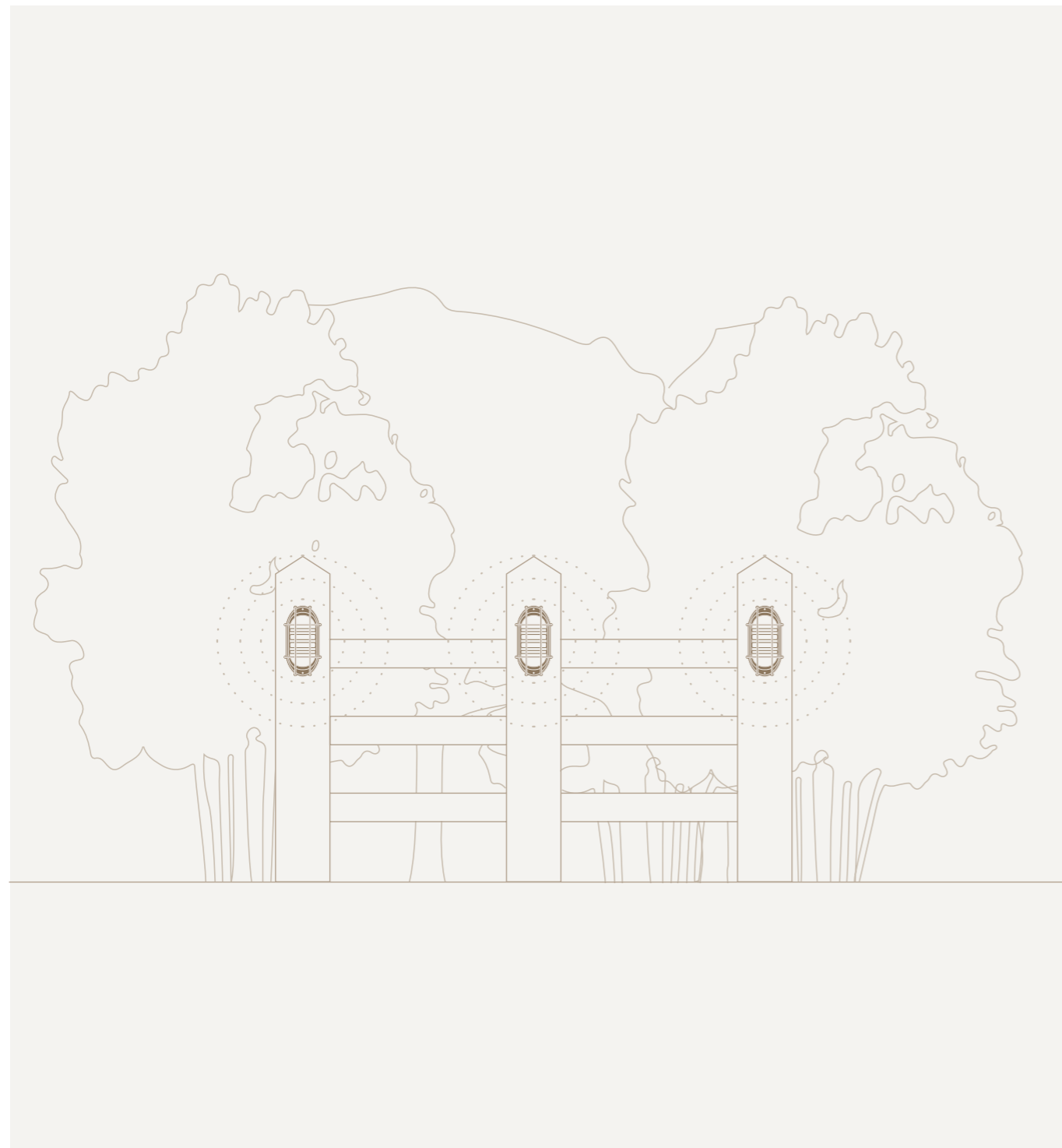
Colour

The SY-6 lamp can be finished with a number of different options, to suit your flights of fancy. Choose from powder-coated paint in a range of colours or an industrial aluminium finish achieved with a clear, protective lacquer applied to the raw aluminium.

And with our bespoke finishing service, you'll also be able to specify a unique RAL colour, for powder coating.

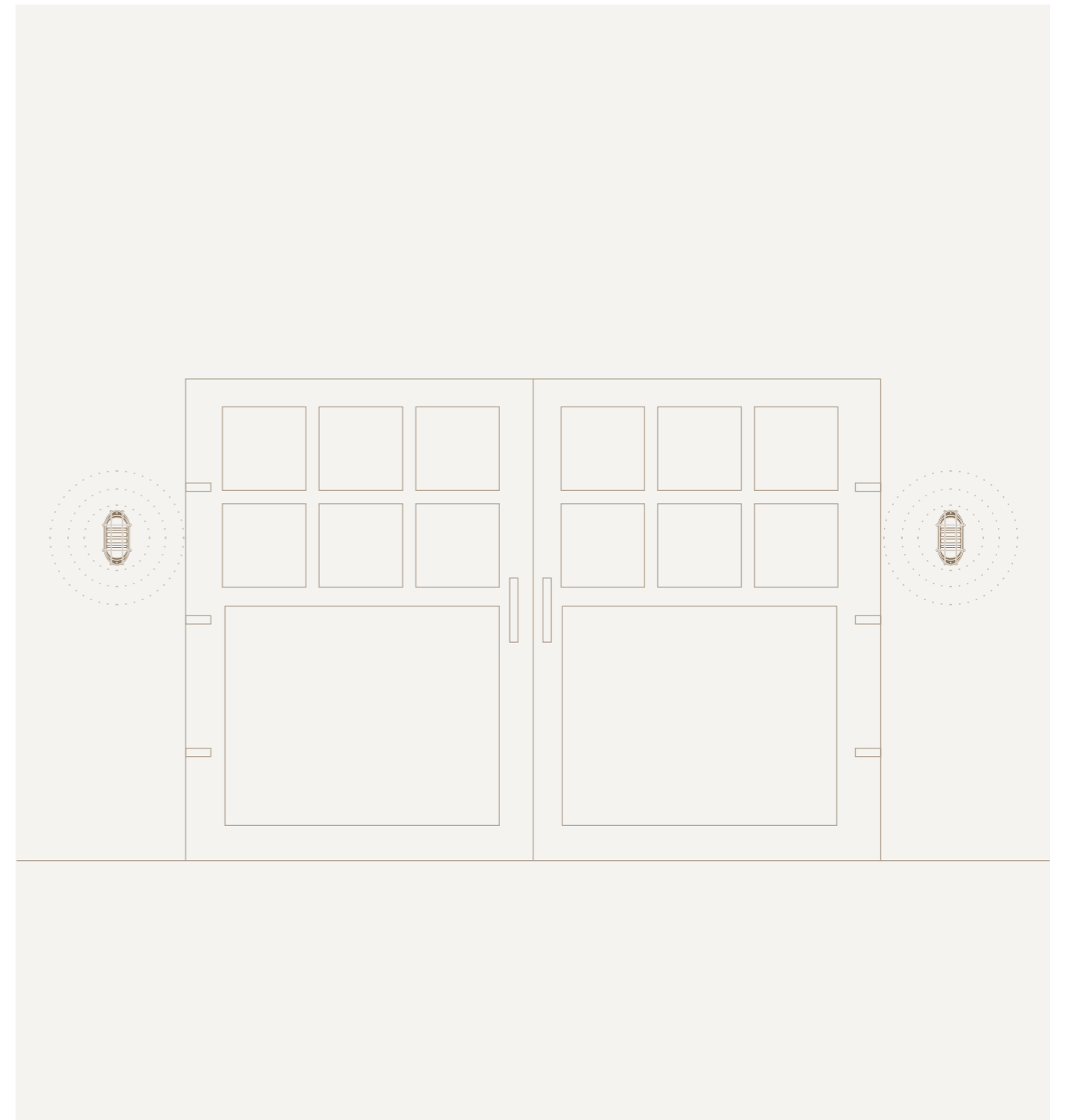
Customise

Create your ideal SY-6 specification, with an Edison Screw or Bayonet Cap lamp holder and Clear or Frosted glass. The cage can also be purchased separately and fitted to existing SY-6 lights if you desire.



POST PROUD

Fit SY-6 Bulkheads on your fence posts and illuminate your driveway in style.



GARAGE GREATS

Light the night with SY-6 Bulkheads, as you reverse park the Roller.

80 YEARS OF SUSTAINABILITY



BUILT TO LAST.

Our lights are tough cookies, built to last and suitable for even the most extreme applications (or even a Hollywood set!)



LOCAL SUPPLIERS.

We have a long-standing policy of using suppliers and manufacturing within a 40 miles radius, keeping it local is keeping it sustainable.



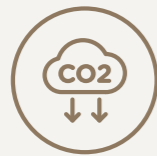
DESIGNED TO BE REPAIRED.

Our lights are designed to disassemble easily for repair or upgrade in the future as technology continues to improve.



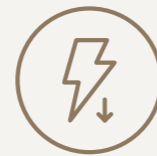
SUSTAINABLE PACKAGING.

Each light is lovingly wrapped in recycled paper padding shipped in recycled cardboard packaging.



LOW CARBON MATERIALS.

Where possible, we make our parts from low carbon materials that are recycled or can be recycled at end of life.



LOW ENERGY CONSUMPTION.

As lighting technology evolves, so do our lights. Now, we use low energy LED bulbs to minimise energy consumption.

PRODUCT INFORMATION

Weight	1200 grams
IP Rating	IP65: Suitable for inside or outside use in wet weather environments. IP rated as "dust tight" and protected against water projected from a nozzle.
Product Dimensions	Light fitting with cage: Length 233mm; Width 118mm; Depth: 132mm. Cage dimensions on its own: W: 118mm L: 233mm D: 90mm 200g
Materials	Cast Aluminium Casing; Pressed and Blown Glass Diffuser; Sheet Aluminium Gear Tray; TPU Gasket; Silicone Gasket; Steel Screws; CNC Sheet Steel Flanges; Porcelain Lamp Holder; Powder Coated Paint / Aluminium Anodising Finishing

ELECTRICAL CHARACTERISTICS

Power	Depends on the bulb
Voltage	230V
Current	Depends on the bulb

LUMINAIRE CHARACTERISTICS

Bulb Type	Edison Screw (E27) / Bayonet Cap (B22)
-----------	--

BE INSPIRED FOR YOUR NEXT PROJECT.
VISIT OUR SOCIAL MEDIA CHANNELS!



@JG.COUGHTRIE

VARIATION	COLOUR	PRODUCT CODE
CLEAR GLASS, BAYONET CAP	Black	SY6/B/CL/BC+GUARD
	White	SY6/W/CL/BC+GUARD
	Antique Bronze	SY6/BRONZE/CL/BC+GUARD
	Industrial Aluminium	SY6/S/CL/BC+GUARD
	Weathered Bronze	SY6/WBRONZE/CL/BC+GUARD
	Gloss Grey	SY6/G/CL/BC+GUARD
CLEAR GLASS, EDISON SCREW	Black	SY6/B/CL/ES+GUARD
	White	SY6/W/CL/ES+GUARD
	Antique Bronze	SY6/BRONZE/CL/ES+GUARD
	Industrial Aluminium	SY6/S/CL/ES+GUARD
	Weathered Bronze	SY6/WBRONZE/CL/ES+GUARD
	Gloss Grey	SY6/G/CL/ES+GUARD
FROSTED GLASS, BAYONET CAP	Black	SY6/B/FG/BC+GUARD
	White	SY6/W/FG/BC+GUARD
	Antique Bronze	SY6/BRONZE/FG/BC+GUARD
	Industrial Aluminium	SY6/S/FG/BC+GUARD
	Weathered Bronze	SY6/WBRONZE/FG/BC+GUARD
	Gloss Grey	SY6/G/FG/BC+GUARD
FROSTED GLASS, EDISON SCREW	Black	SY6/B/FG/ES+GUARD
	White	SY6/W/FG/ES+GUARD
	Antique Bronze	SY6/BRONZE/FG/ES+GUARD
	Industrial Aluminium	SY6/S/FG/ES+GUARD
	Weathered Bronze	SY6/WBRONZE/FG/ES+GUARD
	Gloss Grey	SY6/G/FG/ES+GUARD
CAGE ON ITS OWN	Black	SY6-GUARD/B
	White	SY6-GUARD/W
	Antique Bronze	SY6-GUARD/BRONZE
	Industrial Aluminium	SY6-GUARD/S
	Gloss Grey	SY6-GUARD/G



SY-6 Compact Oval
Fluorescent Bulkhead
with Cage, Gloss Grey

SY-6 COMPACT OVAL LED BULKHEAD, CLEAR

Standard, Indoor-Outdoor Use, Clear

Featuring energy-efficient bulbs, our SY-6 LED Bulkhead casts a brighter, whiter more modern glow than the 1950s original. Compact, corrosion-resistant and dependable it's ideal for outdoor use where visibility is of the utmost importance.



3. SY-6 Compact
Oval LED Bulkhead,
Clear, Antique
Bronze

4. SY-6 Compact
Oval LED Bulkhead,
Clear, Industrial
Aluminium

3.



4.

1

3 POWER ACCESS PORTS

The SY-6 Bulkhead lighting range has power connection cable access at both rear, top, and bottom - choose the option that tickles your fancy.

2

MODULAR MOUNTING POINTS

End-lugs on the SY-6 range are designed to accommodate future clip-on accessories, extending the life of your lamp - that's a nod to sustainability, and style.

3

PRESSED & BLOWN GLASS

With a thick, pressed and blown glass diffuser that features decorative ribs, and a Coughtrie brand mark, this is one stylish range of light fittings that refuse to blend in with the riff raff.

4

TIMELESS STYLING

The simple, oval shape of the SY-6 Bulkhead light fitting is elegant and timeless yet fits with a range of different settings. One clever, and classy piece of glass.

5

CAST ALUMINIUM CASING

The corrosion resistant aluminium casing of the SY-6 Bulkhead light fitting has been cast by skilled craft workers in Glasgow. We've been doing it for 80 years, and we don't intend to stop any time soon!

6

ULTRA EFFICIENT 4W LEDS

The 4W LED array generates a bright, white, modern flood of light that provides extra clarity where required. They're also guaranteed for 50,000 hours, before they need to be replaced.

5. SY-6 Compact
Oval LED Bulkhead,
Clear, Black



5.

FALL IN LOVE AT FIRST FIGHT

Our compact table Bulkhead lights have a range of attractions that make them an adaptable choice for a range of indoor settings. What's not to love?



6.

6. SY-6 Compact Oval LED Bulkhead, Clear, Black

7. SY-6 Compact Oval LED Bulkhead, Clear, White

8. SY-6 Compact Oval LED Bulkhead, Clear, Weathered Bronze



7.

A Bulkhead Without Bounds

The flexible mounting points and compact size of the SY-6 Bulkhead allow it to be placed both indoors and outdoors, in a range of locations that might include mounting on posts to light driveways (park your Rolls Royce in style), overhead above doorways or garages, and illuminating side passageways.



8.

Bright & White

The 4W LED array provides a bright, white, even spread of light through the elegant hand-blown and pressed glass diffuser. Each light can also be fitted with a presence detection sensor, that triggers the light when people or animals are in close range, making it ideal for security use.

FINISHED TO YOUR FANCY



Gloss Grey



Black



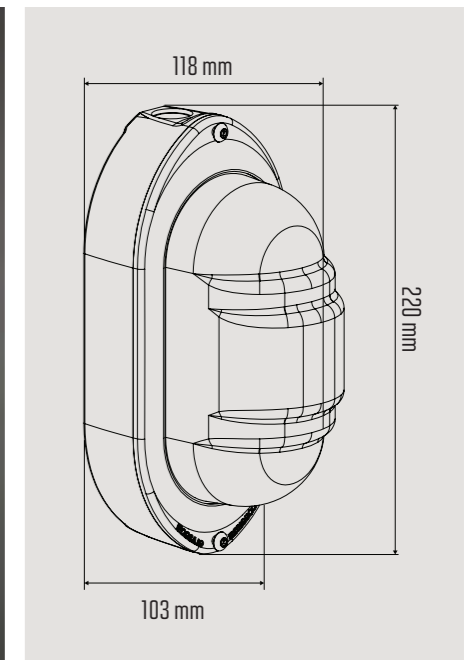
Antique Bronze



White



Industrial Aluminium



Any RAL Colour of Choice

Colour

The SY-6 lamp can be finished with a number of different options, to suit your flights of fancy, from powder-coated paint in a range of colours, to an industrial aluminium finish which simply has a clear, protective lacquer applied to achieve that raw, manufactured industrial look, creating an unique and distinct finish each time. Each light can also be anodised with a weathered

bronze finish, for rustic, antique effect. The choice is endless. The choice is also yours. And with our bespoke finishing service, you'll also be able to specify a unique RAL colour, for powder coating.

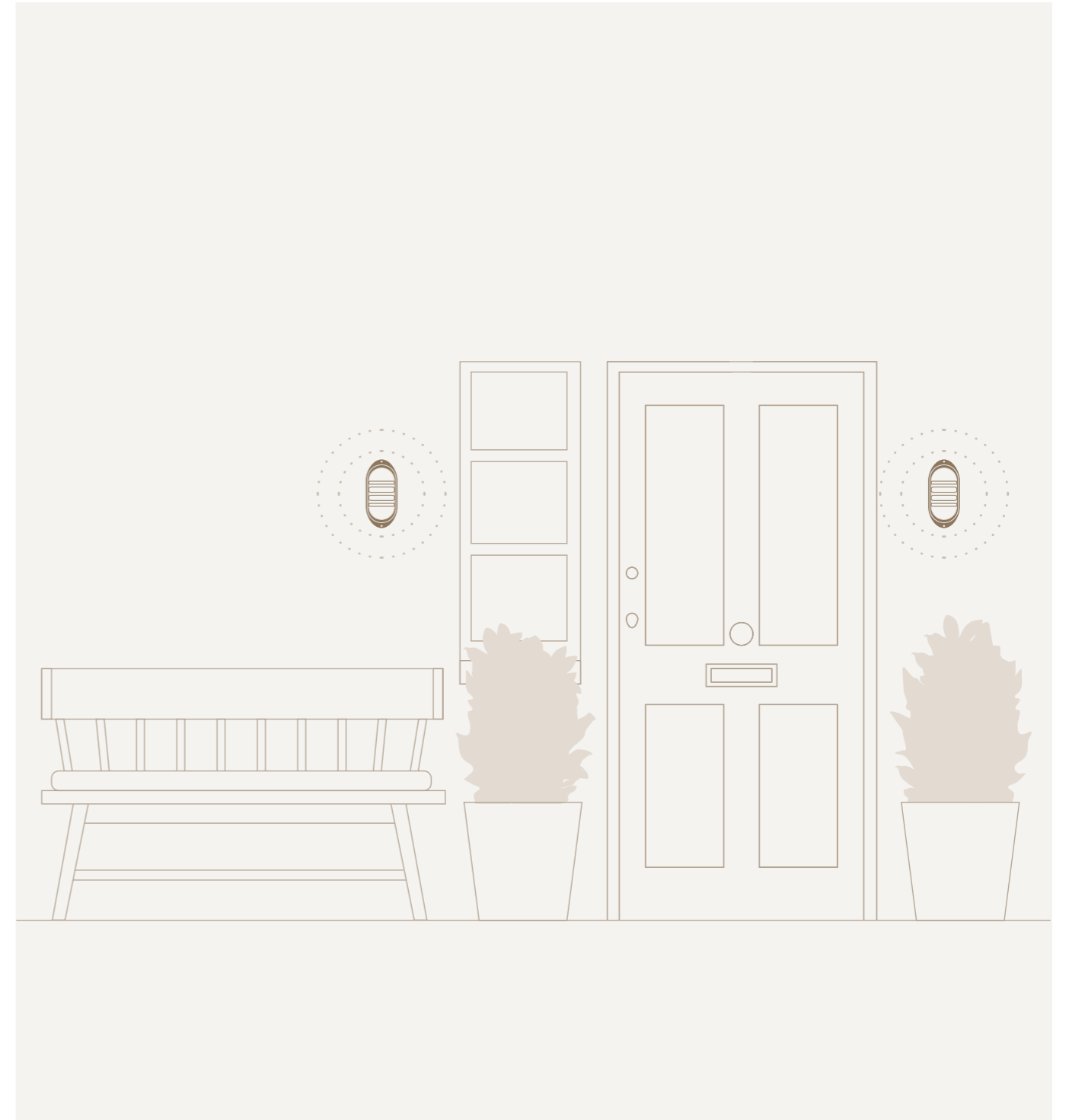
Customise

Create your ideal LED specification, adding presence detection to optimise when your light is in use, or Emergency 3hr battery back-up for piece of mind in power cuts.



BULKHEAD BATHIN

Add a touch of class with glass to your bathroom, with SY-6 LED bulkheads bathing your basins in light.



BACKYARD BEAUTIES

Embrace the evening. Watch the sun go down and your SY-6 LED bulkheads light up the rest of the night.

80 YEARS OF SUSTAINABILITY



BUILT TO LAST.

Our lights are tough cookies, built to last and suitable for even the most extreme applications (or even a Hollywood set!)



LOCAL SUPPLIERS.

We have a long-standing policy of using suppliers and manufacturing within a 40 miles radius, keeping it local is keeping it sustainable.



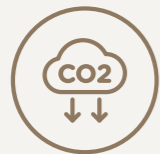
DESIGNED TO BE REPAIRED.

Our lights are designed to disassemble easily for repair or upgrade in the future as technology continues to improve.



SUSTAINABLE PACKAGING.

Each light is lovingly wrapped in recycled paper padding shipped in recycled cardboard packaging.



LOW CARBON MATERIALS.

Where possible, we make our parts from low carbon materials that are recycled or can be recycled at end of life.



LOW ENERGY CONSUMPTION.

As lighting technology evolves, so do our lights. Now, we use low energy LED bulbs to minimise energy consumption.

PRODUCT INFORMATION

Weight	1000 grams
IP Rating	IP65: Suitable for inside or outside use in wet weather environments. IP rated as "dust tight" and protected against water projected from a nozzle.
Product Dimensions	Length: 220mm; Width: 103mm; Depth: 118mm
Materials	Cast Aluminium Casing; Pressed And Blown Glass Diffuser; Sheet Aluminium Gear Tray; TPU Gasket; Silicone Gasket; Steel Screws; CNC Sheet Steel Flanges; LED Bulbs & Driver; Powder Coated Paint / Aluminium Anodising Finishing.

ELECTRICAL CHARACTERISTICS

Power	4W
Voltage	230V
Current	0.017A

LUMINAIRE CHARACTERISTICS

LEDS	Variable	Efficacy	81.25lm/W
Driver	Constant Current	CRI	>80
Working Temperature	-25 to 50	CCT	4000K
Emergency Working Temperature	-5 to 50	Lifetime	50,000 hours
System Lumens	325lm		

BE INSPIRED FOR YOUR NEXT PROJECT.
VISIT OUR SOCIAL MEDIA CHANNELS!



@JG.COUGHTRIE

VARIATION	COLOUR	PRODUCT CODE
STANDARD	Black	SY6-4WLED/B/CL
	White	SY6-4WLED/W/CL
	Antique Bronze	SY6-4WLED/BRONZE/CL
	Industrial Aluminium	SY6-4WLED/S/CL
	Weathered Bronze	SY6-4WLED/WBRONZE/CL
	Gloss Grey	SY6-4WLED/G/CL
PRESENCE DETECTION	Black	SY6-4WLED+MWD(MS.021)/B/CL
	White	SY6-4WLED+MWD(MS.021)/W/CL
	Antique Bronze	SY6-4WLED+MWD(MS.021)/BRONZE/CL
	Industrial Aluminium	SY6-4WLED+MWD(MS.021)/S/CL
	Weathered Bronze	SY6-4WLED+MWD(MS.021)/WBRONZE/CL
	Gloss Grey	SY6-4WLED+MWD(MS.021)/G/CL
BATTERY BACKUP	Black	SY-6-4WLED+EMG(LiFePO4)/B/CL
	White	SY-6-4WLED+EMG(LiFePO4)/W/CL
	Antique Bronze	SY-6-4WLED+EMG(LiFePO4)/BRONZE/CL
	Industrial Aluminium	SY-6-4WLED+EMG(LiFePO4)/S/CL
	Weathered Bronze	SY-6-4WLED+EMG(LiFePO4)/WBRONZE/CL
	Gloss Grey	SY-6-4WLED+EMG(LiFePO4)/G/CL



SY-6 Compact Oval
LED Bulkhead, Clear,
White

SY-6 COMPACT OVAL LED BULKHEAD WITH CAGE

With Cage, Indoor-Outdoor, Clear or Frosted

Featuring a robust, hand-formed steel cage atop of energy-efficient bulbs, our caged SY-6 LED Bulkhead is the ultimate cage-lighter, guaranteed to provide protection with poise, whatever is thrown at it. Compact, corrosion-resistant and dependable it's ideal for outdoor use where visibility is of the utmost importance and the environment unpredictable!



3. SY-6 Compact Oval LED Bulkhead with Cage, White

4. SY-6 Compact Oval LED Bulkhead with Cage, Antique Bronze

3.



4.

1

3 POWER ACCESS PORTS

The SY-6 Bulkhead lighting range has power connection cable access at both rear, top, and bottom - choose the option that tickles your fancy.

2

HAND-FORMED CAGE

Mounted on the modular mounting lugs at the top and bottom of the light, this SY-6 Bulkhead comes fitted with a robust, hand-formed steel cage.

3

HAND PRESSED & BLOWN GLASS

With a thick, hand pressed and blown glass diffuser that features decorative ribs, and a Coughtrie brand mark, this is one stylish range of light fittings that refuse to blend in with the riff raff. Available in Clear or Frosted Glass.

4

TIMELESS STYLING

The simple, oval shape of the SY-6 Bulkhead light fitting is elegant and timeless yet fits with a range of different settings.

5

CAST ALUMINIUM CASING

The corrosion resistant aluminium casing of the SY-6 Bulkhead light fitting has been hand-cast by skilled craft workers in Glasgow. We've been doing it for 80 years, and we don't intend to stop any time soon!

6

ULTRA EFFICIENT 4W LEDS

The 4W LED array generates a bright, white, modern flood of light that provides extra clarity where required. They're also guaranteed 50,000 hours, before they need to be replaced.

5. SY-6 Compact
Oval LED Bulkhead
with Cage, Gloss
Grey



5.

FALL IN LOVE AT FIRST MIGHT

Our compact caged Bulkhead lights have a range of attractions that make them an adaptable choice for a range of settings, both indoors, and outdoors. What's not to love?



6.

6. SY-6 Compact Oval LED Bulkhead with Cage, Gloss Grey



7.

A Bulkhead Without Bounds

The flexible mounting points and compact size of the SY-6 Bulkhead allow it to be placed both indoors and outdoors, in a range of locations that might include mounting on posts to light driveways (park your Rolls Royce in style), overhead above doorways or garages, and illuminating side passageways.

7. SY-6 Compact Oval LED Bulkhead with Cage, Black



8.

Caged And Compact

Hand formed from steel wire and welded to a laser cut steel base, the SY-6 cage is very robust and rated to IK10. Each cage is treated to prevent rusting and painted to match the casing colour. If purchased separately, the cage can be easily added to the modular mounting lugs at the top and bottom of the casing.

8. SY-6 Compact Oval LED Bulkhead with Cage, Antique Bronze

PAINTENTLY PERFECT



Gloss Grey



Black



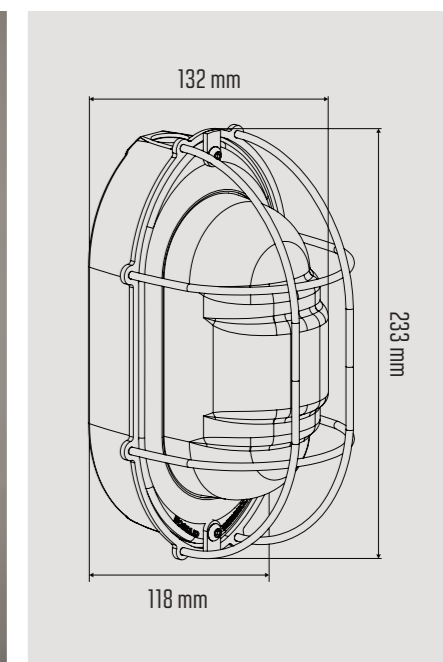
Antique Bronze



White



Industrial Aluminium



Any RAL Colour of Choice

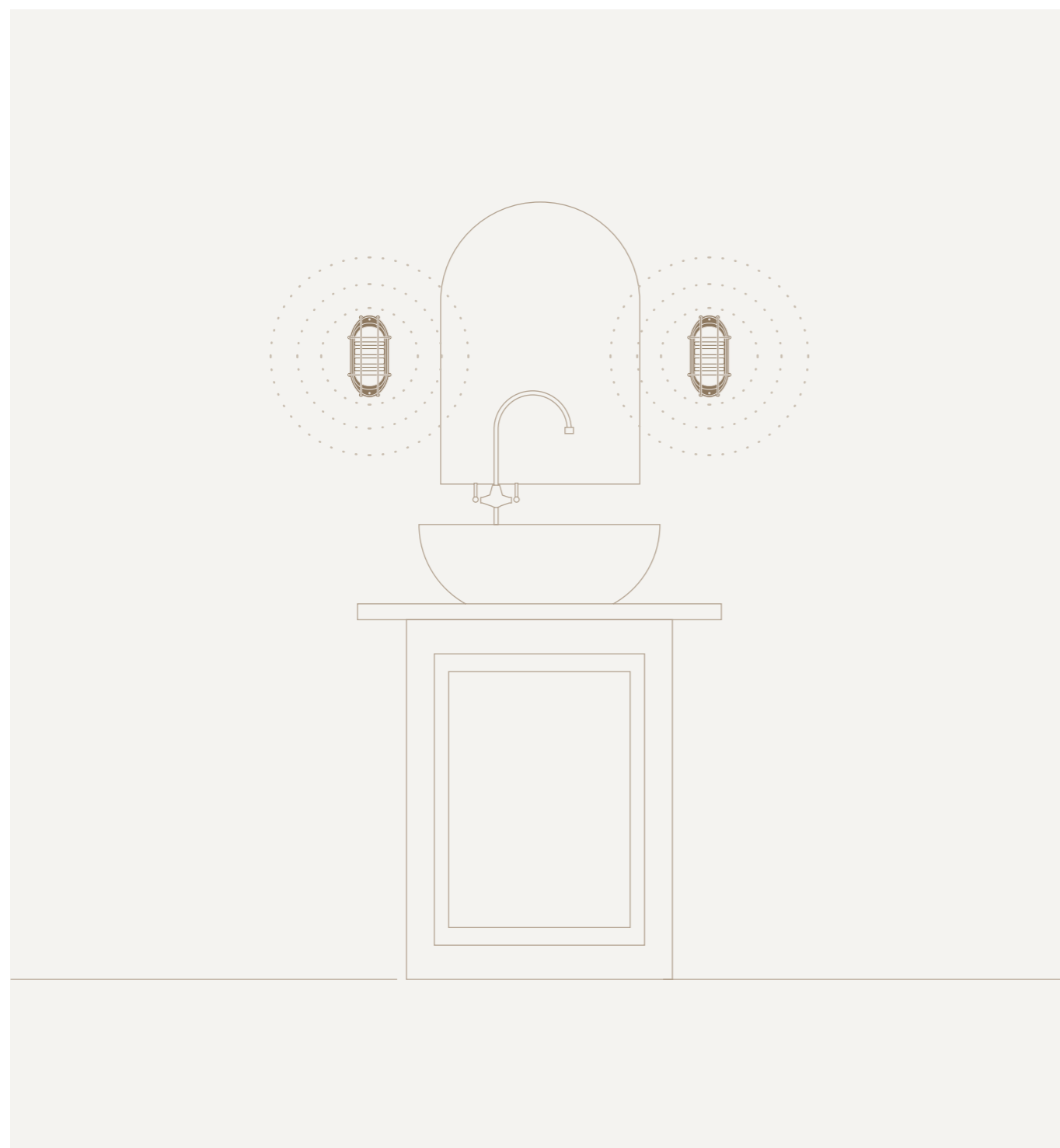
Colour

The SY-6 lamp can be finished with a number of different options, to suit your flights of fancy. Choose from powder-coated paint in a range of colours or an industrial aluminium finish achieved with a clear, protective lacquer applied to the raw aluminium.

And with our bespoke finishing service, you'll also be able to specify a unique RAL colour, for powder coating.

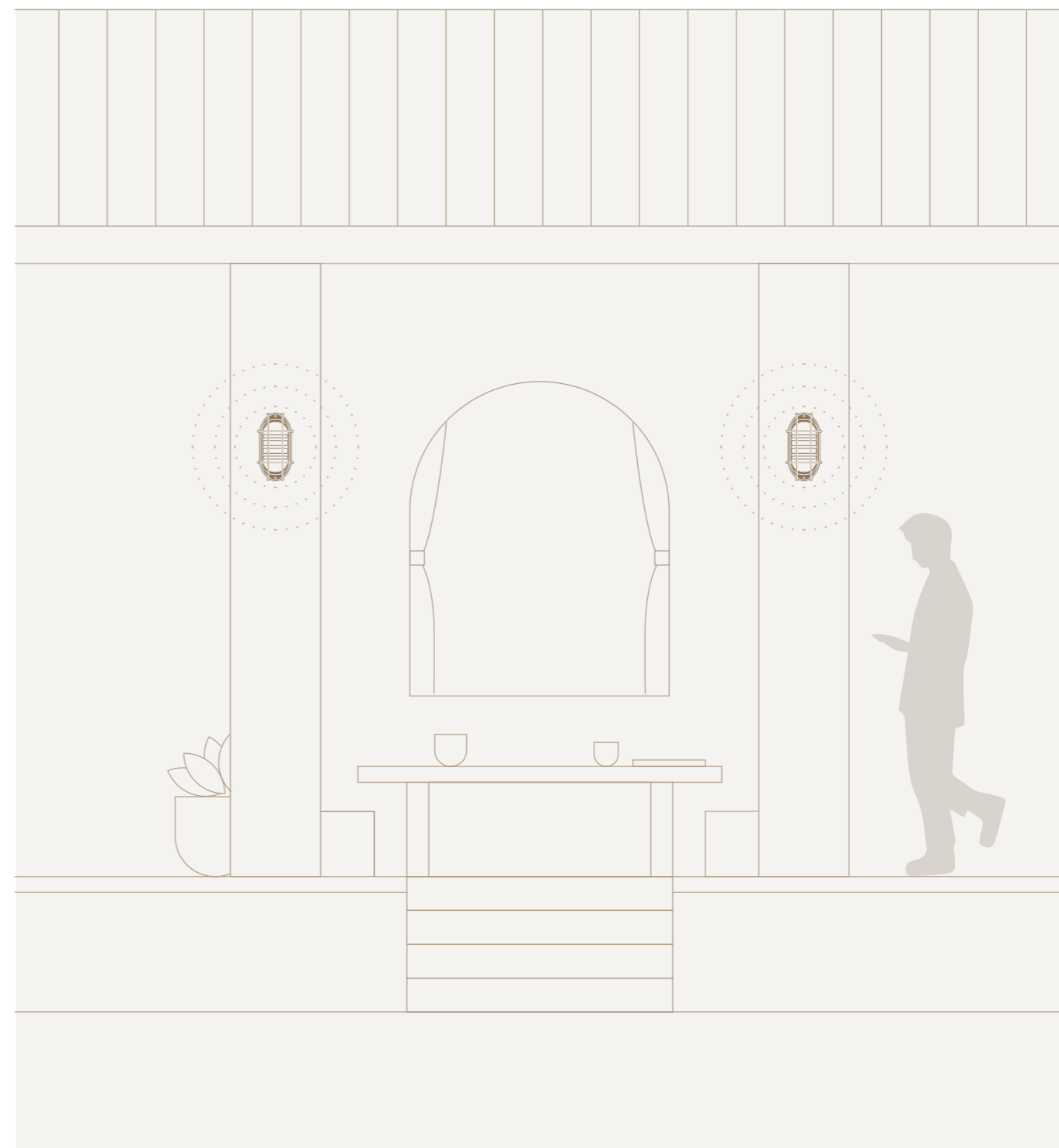
Customise

Specify Clear or Frosted Glass. Create your ideal LED specification, adding presence detection to optimise when your light is in use, or Emergency 3hr battery back-up for peace of mind in power cuts. The cage can also be purchased separately and fitted to existing SY-6 lights.



BATHROOM BRILLIANCE

Brush your teeth with panache in front of your bathroom vanity, flanked by two SY-6 Bulkheads.



ALFRESCO ILLUMINATION

Keep outside evenings going when the sun goes down, with SY-6 Bulkheads on your garden sunroom.

80 YEARS OF SUSTAINABILITY



BUILT TO LAST.

Our lights are tough cookies, built to last and suitable for even the most extreme applications (or even a Hollywood set!)



LOCAL SUPPLIERS.

We have a long-standing policy of using suppliers and manufacturing within a 40 miles radius, keeping it local is keeping it sustainable.



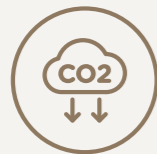
DESIGNED TO BE REPAIRED.

Our lights are designed to disassemble easily for repair or upgrade in the future as technology continues to improve.



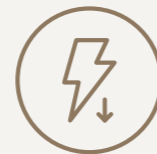
SUSTAINABLE PACKAGING.

Each light is lovingly wrapped in recycled paper padding shipped in recycled cardboard packaging.



LOW CARBON MATERIALS.

Where possible, we make our parts from low carbon materials that are recycled or can be recycled at end of life.



LOW ENERGY CONSUMPTION.

As lighting technology evolves, so do our lights. Now, we use low energy LED bulbs to minimise energy consumption.

PRODUCT INFORMATION

Weight	1200 grams
IP Rating	IP65: Suitable for inside or outside use in wet weather environments. IP rated as "dust tight" and protected against water projected from a nozzle.
Product Dimensions	Light fitting with cage: Length 233mm; Width 118mm; Depth: 132mm. Cage dimensions on its own: W: 118mm L: 233mm D: 90mm 200g
Materials	Cast Aluminium Casing; Pressed and Blown Glass Diffuser; Sheet Aluminium Gear Tray; TPU Gasket; Silicone Gasket; Steel Screws; CNC Sheet Steel Flanges; LED Bulbs & Driver; Powder Coated Paint / Aluminium Anodising Finishing.

ELECTRICAL CHARACTERISTICS

Power	4W
Voltage	230V
Current	0.017A

LUMINAIRE CHARACTERISTICS

LEDs	Variable	Efficacy	81.25lm/W
Driver	Constant Current	CRI	>80
Working Temperature	-25 to 50	CCT	4000K
Emergency Working Temperature	-5 to 50	Lifetime	50,000 hours
System Lumens	325lm		

PHOTOMETRIC DATA

Contact our Sales Team direct for any Photometric Data you may require.

BE INSPIRED FOR YOUR NEXT PROJECT.
VISIT OUR SOCIAL MEDIA CHANNELS!



@JG.COUGHTRIE

VARIATION	COLOUR	PRODUCT CODE
CLEAR GLASS, STANDARD	Black	SY6-4WLED/B/CL+GUARD
	White	SY6-4WLED/W/CL+GUARD
	Antique Bronze	SY6-4WLED/BRONZE/CL+GUARD
	Industrial Aluminium	SY6-4WLED/S/CL+GUARD
	Weathered Bronze	SY6-4WLED/WBRONZE/CL+GUARD
	Gloss Grey	SY6-4WLED/G/CL+GUARD
	CLEAR GLASS, PRESENCE DETECTION	Black
White		SY6-4WLED+MWD(MS.021)/W/CL+GUARD
Antique Bronze		SY6-4WLED+MWD(MS.021)/BRONZE/CL+GUARD
Industrial Aluminium		SY6-4WLED+MWD(MS.021)/S/CL+GUARD
Weathered Bronze		SY6-4WLED+MWD(MS.021)/WBRONZE/CL+GUARD
Gloss Grey		SY6-4WLED+MWD(MS.021)/G/CL+GUARD
CLEAR GLASS, BATTERY BACKUP		Black
	White	SY6-4WLED+EMG(LiFePO4)/W/CL+GUARD
	Antique Bronze	SY6-4WLED+EMG(LiFePO4)/BRONZE/CL+GUARD
	Industrial Aluminium	SY6-4WLED+EMG(LiFePO4)/S/CL+GUARD
	Weathered Bronze	SY6-4WLED+EMG(LiFePO4)/WBRONZE/CL+GUARD
	Gloss Grey	SY6-4WLED+EMG(LiFePO4)/G/CL+GUARD
	FROSTED GLASS, STANDARD	Black
White		SY6-4WLED/W/FG+GUARD
Antique Bronze		SY6-4WLED/BRONZE/FG+GUARD
Industrial Aluminium		SY6-4WLED/S/FG+GUARD
Weathered Bronze		SY6-4WLED/WBRONZE/FG+GUARD
Gloss Grey		SY6-4WLED/G/FG+GUARD
FROSTED GLASS, PRESENCE DETECTION		Black
	White	SY6-4WLED+MWD(MS.021)/W/FG+GUARD
	Antique Bronze	SY6-4WLED+MWD(MS.021)/BRONZE/FG+GUARD
	Industrial Aluminium	SY6-4WLED+MWD(MS.021)/S/FG+GUARD
	Weathered Bronze	SY6-4WLED+MWD(MS.021)/WBRONZE/FG+GUARD
	Gloss Grey	SY6-4WLED+MWD(MS.021)/G/FG+GUARD
	FROSTED GLASS, BATTERY BACKUP	Black
White		SY6-4WLED+EMG(LiFePO4)/W/FG+GUARD
Antique Bronze		SY6-4WLED+EMG(LiFePO4)/BRONZE/FG+GUARD
Industrial Aluminium		SY6-4WLED+EMG(LiFePO4)/S/FG+GUARD
Weathered Bronze		SY6-4WLED+EMG(LiFePO4)/WBRONZE/FG+GUARD
Gloss Grey		SY6-4WLED+EMG(LiFePO4)/G/FG+GUARD
CAGE ON ITS OWN		Black
	White	SY6-GUARD/W
	Antique Bronze	SY6-GUARD/BRONZE
	Industrial Aluminium	SY6-GUARD/S
	Gloss Grey	SY6-GUARD/G

J&G COUGHTRIE



SY-6 Compact Oval
LED Bulkhead with
Cage, White



COLLECTION 5:
PENDANTS

- 01 SW-430 SHADE PENDANT**
- 02 SW-120 DROP PENDANT**
- 03 SW-120 CHAIN PENDANT**

SW-430 SHADE PENDANT

With Ceiling Rose, Indoor Use

Fusing the legendary SW-10 casing with a large aluminium spinning, our new Ceiling Pendant revitalizes the classic industrial factory shade with a modern twist. Casting a wide, diffused light it's the perfect illumination solution that transcends trends, making it a staple piece for any space seeking a touch of industrial elegance.



3. SW-430 Shade Pendant, Gloss Grey

4. SW-430 Shade Pendant, Industrial Aluminium

3.



4.

1

CAST CEILING ROSE

The cast aluminium ceiling rose mirrors the casing of the Shade Pendant below. It slips on the ceiling mounting plate supplied and tightens into place with its own cable gland.

2

FLUTED FINS

The iconic fluted fins of the legendary SW-10 cast aluminium casing top off the shade with a timeless twist.

3

BRANDING RING

On the inside of the shade you'll find a laser etched ring with the words 'J&G Coughtrie. Glasgow. Est. 1939.'

4

SPUN SHADE

Spun from thick aluminium with a rolled lip, the shade is built to last and shaped to cast light down in a wide angle below.

5

PORCELAIN LAMP HOLDER

Your SW-430 can be supplied with a Bayonet Cap or Edison Screw lamp holder to fit

6

WELLGLASS DIFFUSER

Each SW-430 comes with a thick hand pressed and blown Wellglass diffuser that gently diffuses the light emitted, and protects the bulb inside.
Available in clear or frosted glass.



5.

GLOWS UP ON THE INSIDE AND OUT

On the inside of the shade you'll find a laser etched ring with the words 'J&G Coughtrie, Glasgow, Est. 1939.' Subtle yet stylish!



6.

6. SW-430 Shade Pendant, Antique Bronze

7. SW-430 Ceiling Rose

8. SW-430 Shade Pendant, White



7.

Pendantly Brilliant

Each SW-430 Shade Pendant is supplied with a matching cast aluminium ceiling rose that slips securely onto its easy-fit ceiling mounting plate.



8.

Cast To Last

Spun from thick aluminium with a rolled lip, the shade is built to last and shaped to cast light down in a wide angle below.

PAINTENTLY PERFECT



Gloss Grey



Black



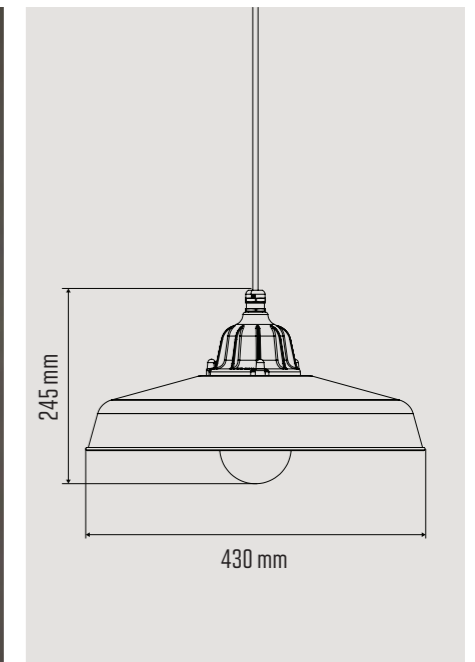
Antique Bronze



White



Industrial Aluminium



Any RAL Colour of Choice

Colour

The SW-430 Shade Pendant can be finished in a range of powder-coated paint colours. Please note the ceiling rose colour comes matched to the light colour as standard. If you would like the ceiling rose in a different colour just let us know.

With our bespoke finishing service, you'll also be able to specify a unique RAL colour for powder coating to match any colour scheme in your home - you can even mix and match the colours of the Spun Shade and the Cast Casing topper.

Customise

Specify Clear or Frosted Wellglass Diffuser and Edison Screw or Bayonet Cap lamp holder. The cord comes in black or white as standard at 1 meter long. Contact us if you would like a different length for your project or even a different colour.

Accessorise

Contact our sales team if you would like to add a cage to the light for some added protection.



INSPIRED ISLANDS

Hang three SW-430s over a kitchen island for an inspired and intimate impact.



SECLUDED SPACES

Create a secluded space above coffee tables or reading nooks with a low hung SW-430 Shade Pendant.

80 YEARS OF SUSTAINABILITY



BUILT TO LAST.

Our lights are tough cookies, built to last and suitable for even the most extreme applications (or even a Hollywood set!)



LOCAL SUPPLIERS.

We have a long-standing policy of using suppliers and manufacturing within a 40 miles radius, keeping it local is keeping it sustainable.



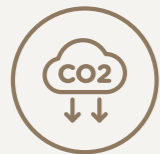
DESIGNED TO BE REPAIRED.

Our lights are designed to disassemble easily for repair or upgrade in the future as technology continues to improve.



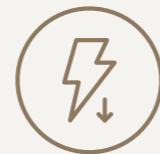
SUSTAINABLE PACKAGING

Each light is lovingly wrapped in recycled paper padding shipped in recycled cardboard packaging.



LOW CARBON MATERIALS

Where possible, we make our parts from low carbon materials that are recycled or can be recycled at end of life.



LOW ENERGY CONSUMPTION

As lighting technology evolves, so do our lights. Now, we use low energy LED bulbs to minimise energy consumption.

PRODUCT INFORMATION

Weight	2000 grams
IP Rating	Suitable for inside use. Dust tight.
Product Dimensions	Light fitting: Diameter 430mm; Length: 245mm. Cord Length: 1000mm Ceiling Rose: Diameter 120mm; Depth: 80mm Total drop height from ceiling to bottom of fitting: 1320mm
Materials	Cast aluminium Casing, Spun Aluminium Shade, Pressed and Blown Glass Diffuser, Nitrile Rubber Gasket, Stainless Steel Screws, Porcelain Lamp Holder, M20 Cable Gland, Fabric Coated Power Cord, Powder Coated Paint Finish

ELECTRICAL CHARACTERISTICS

Power	Depends on bulb
Voltage	230V
Current	Depends on bulb

LUMINAIRE CHARACTERISTICS

Bulb Type	Edison Screw (E27) / Bayonet Cap (B22)
-----------	--

BE INSPIRED FOR YOUR NEXT PROJECT.
VISIT OUR SOCIAL MEDIA CHANNELS!



@JG.COUGHTRIE

VARIATION	COLOUR	PRODUCT CODE
CLEAR GLASS, BAYONET CAP	Black	SW-430/B/CL/BC
	White	SW-430/W/CL/BC
	Antique Bronze	SW-430/BRONZE/CL/BC
	Industrial Aluminium	SW-430/S/CL/BC
	Gloss Grey	SW-430/G/CL/BC
CLEAR GLASS, BAYONET CAP	Black	SW-430/B/CL/ES
	White	SW-430/W/CL/ES
	Antique Bronze	SW-430/BRONZE/CL/ES
	Industrial Aluminium	SW-430/S/CL/ES
	Gloss Grey	SW-430/G/CL/ES
FROSTED GLASS, BAYONET CAP	Black	SW-430/B/FG/BC
	White	SW-430/W/FG/BC
	Antique Bronze	SW-430/BRONZE/FG/BC
	Industrial Aluminium	SW-430/S/FG/BC
	Gloss Grey	SW-430/G/FG/BC
FROSTED GLASS, EDISON SCREW	Black	SW-430/B/FG/ES
	White	SW-430/W/FG/ES
	Antique Bronze	SW-430/BRONZE/FG/ES
	Industrial Aluminium	SW-430/S/FG/ES
	Gloss Grey	SW-430/G/FG/ES



CONTACT OUR SALES TEAM DIRECTLY IF YOU WOULD LIKE TO USE ANY VARIATIONS OF THE SW-430 SHADE PENDANT OUTSIDE AND WE CAN PROVIDE A WEATHER RESISTANT VERSION.



SW-120 DROP PENDANT

With Ceiling Rose, Indoor Use Only

New to the SW family, the SW-120 Drop Pendant can be hung individually or in a charming trio. Create a stunning centerpiece above kitchen islands, in high hallways, or stately stairwells. Welcome to industrial chic that's truly unique!



3. SW-120 Drop Pendant, Black

4. SW-120 Drop Pendant, Industrial Aluminium

3.



4.

SW-120 DROP PENDANT

1

CAST CEILING ROSE

The cast aluminium ceiling rose mirrors the casing of the Drop Pendant below. It slips on the ceiling mounting plate supplied and tightens into place with its own cable gland.

2

20MM CABLE GLAND

The machined cable gland seals the top of the casing and securely grips the heavy duty 3-core fabric power cord from within.

3

FLUTED FINS

The iconic fluted fins on the light casing add strength and protection to the SW-120 with elegance.

4

DOMED SCREW MOUNTS

Three equally spaced mounting points allow modular accessories to be fixed to the SW-120 to adapt its look or extend its functionality.

5

PORCELAIN LAMP HOLDER

Your SW-120 can be supplied with a Bayonet Cap or Edison Screw lamp holder to fit an E27 or B22 bulb.

6

WELLGLASS DIFFUSER

Each SW-120 comes with a thick hand pressed and blown Wellglass diffuser that gently diffuses the light emitted and protects the bulb inside. Available in clear or frosted glass.

J&G COUGHTRIE



DROP THEM LIKE THEY'RE HOT

Each part of the casing is cast from solid aluminium, fitting together as part of an upgradable modular system.



6.

6. SW-120 Drop Pendant, Industrial Aluminium



7.

Pendantly Brilliant

Each SW-120 Drop Pendant is supplied with a matching cast aluminium ceiling rose that slips securely onto its own, easy-fit ceiling mounting plate.

7. SW-120 Ceiling Rose, Black



8.

Fintastic Forms

The sweeping fins of the cast aluminium case, combined with curved, pressed and blown Wellglass diffuser, contribute to the SW-120's iconic form.

8. SW-120 Drop Pendant, White

PAINTENTLY PERFECT



Gloss Grey



Black



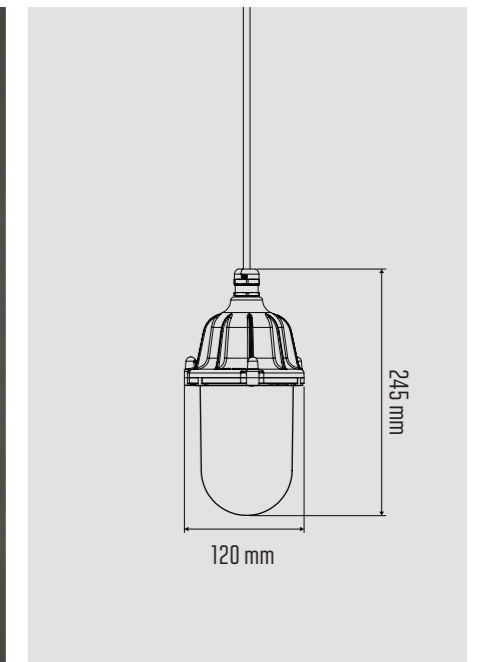
Antique Bronze



White



Industrial Aluminium



Any RAL Colour of Choice

Colour

The SW-120 Drop Pendant can be finished in a range of powder-coated paint colours. With our bespoke finishing service, you'll also be able to specify a unique RAL colour for powder coating to match any colour scheme in your home.

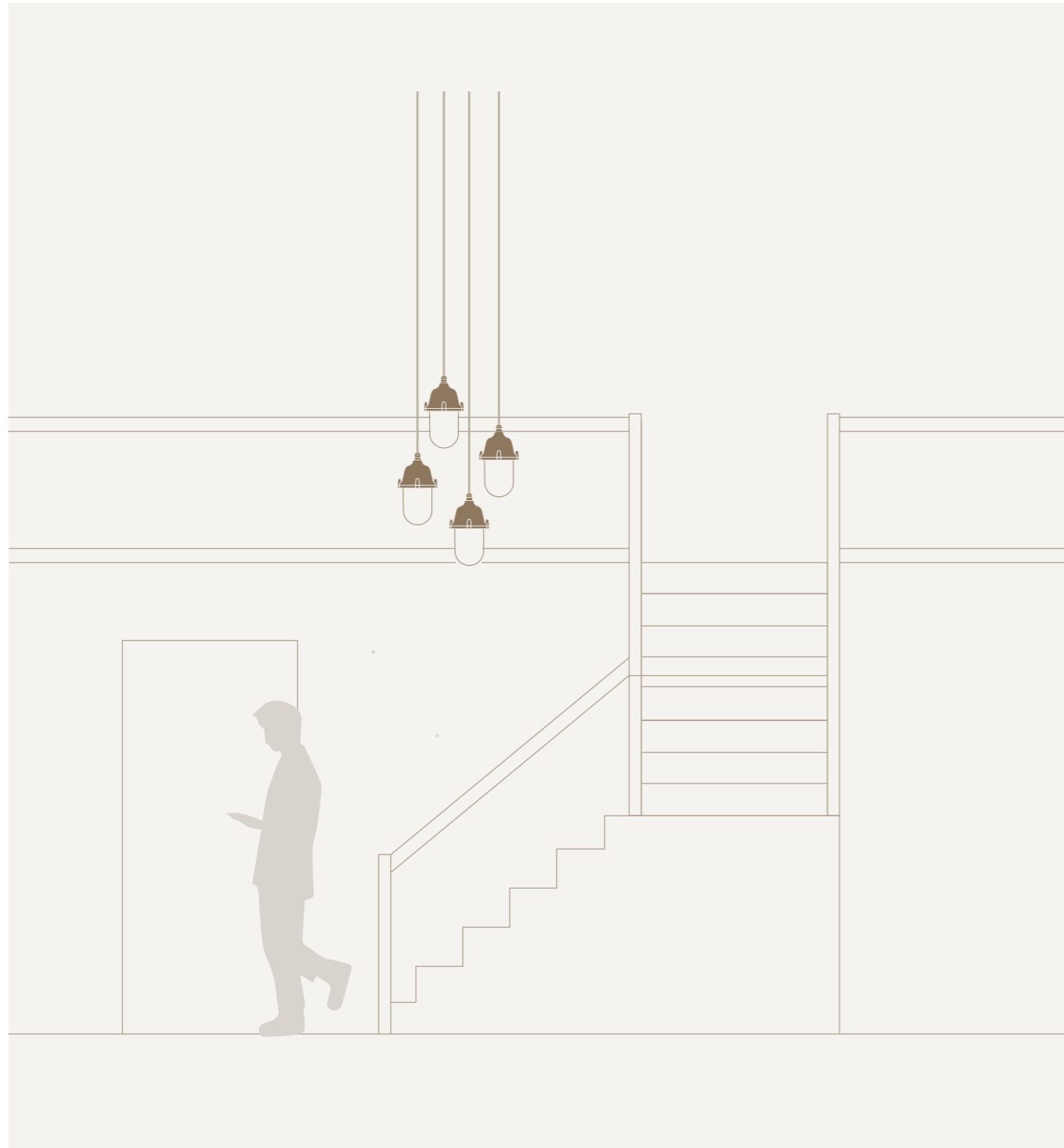
Please note the ceiling rose colour comes matched to the light colour as standard. If you would like the ceiling rose in a different colour just let us know.

Customise

Specify Clear or Frosted Wellglass Diffuser and Edison Screw or Bayonet Cap lamp holder. The cord comes in black or white as standard at 1 meter long. Contact us if you would like a different length for your project or even a different colour.

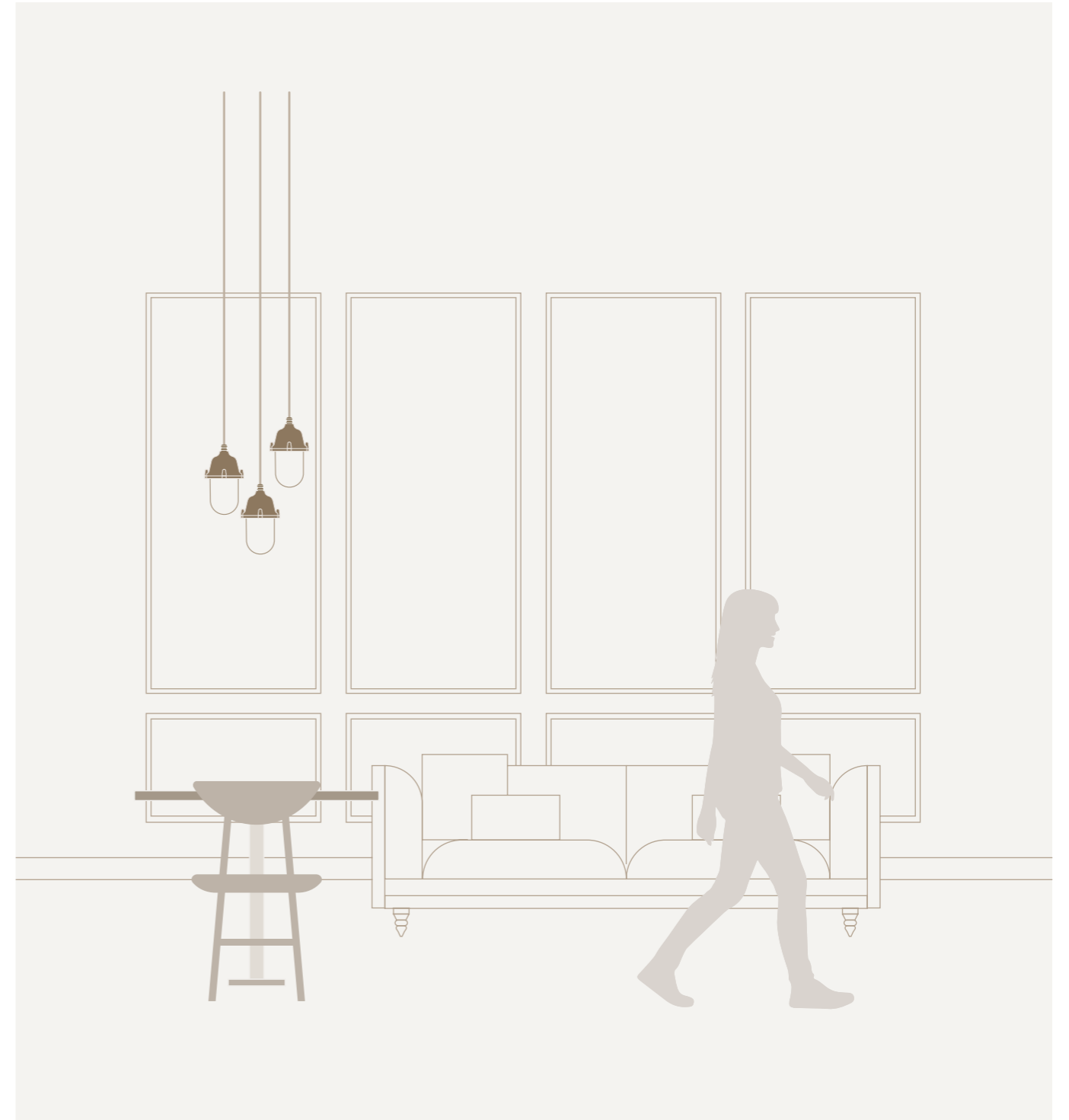
Accessorise

Contact our sales team if you would like to add a reflector or cage to the light.



STUNNING STAIRWELLS

Group several SW-120s together over a stairwell for a stunning hallway centrepiece.



DISHY DINING

Hang a trio of SW-120s together for a romantic and atmospheric dining setting.

80 YEARS OF SUSTAINABILITY



BUILT TO LAST.

Our lights are tough cookies, built to last and suitable for even the most extreme applications (or even a Hollywood set!)



LOCAL SUPPLIERS.

We have a long-standing policy of using suppliers and manufacturing within a 40 miles radius, keeping it local is keeping it sustainable.



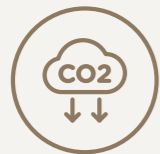
DESIGNED TO BE REPAIRED.

Our lights are designed to disassemble easily for repair or upgrade in the future as technology continues to improve.



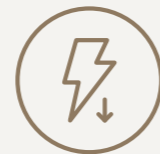
SUSTAINABLE PACKAGING.

Each light is lovingly wrapped in recycled paper padding shipped in recycled cardboard packaging.



LOW CARBON MATERIALS.

Where possible, we make our parts from low carbon materials that are recycled or can be recycled at end of life.



LOW ENERGY CONSUMPTION.

As lighting technology evolves, so do our lights. Now, we use low energy LED bulbs to minimise energy consumption.

PRODUCT INFORMATION

Weight	1500 grams
IP Rating	Suitable for inside use. Dust tight.
Product Dimensions	Light fitting: Diameter 120mm; Length: 245mm. Cord & Chain Length: 1000mm Ceiling Rose: Diameter 120mm; Depth: 80mm Total drop height from ceiling to bottom of fitting: 1320mm.
Materials	Cast aluminium Casing, Pressed and Blown Glass Diffuser, Nitrile Rubber Gasket, Stainless Steel Screws, Porcelain Lamp Holder, M20 Cable Gland, Fabric Coated Power Cord, Powder Coated Paint Finish

ELECTRICAL CHARACTERISTICS

Power	Depends on bulb
Voltage	230V
Current	Depends on bulb

LUMINAIRE CHARACTERISTICS

Bulb Type	Edison Screw (E27) / Bayonet Cap (B22)
-----------	--

BE INSPIRED FOR YOUR NEXT PROJECT.
VISIT OUR SOCIAL MEDIA CHANNELS!



@JG.COUGHTRIE

SW-120 DROP PENDANT

J&G COUGHTRIE

VARIATION	COLOUR	PRODUCT CODE
CLEAR GLASS, BAYONET CAP	Black	SW-120/B/CL/BC+DROPPENDANT
	White	SW-120/W/CL/BC+DROPPENDANT
	Antique Bronze	SW-120/BRONZE/CL/BC+DROPPENDANT
	Industrial Aluminium	SW-120/S/CL/BC+DROPPENDANT
	Gloss Grey	SW-120/G/CL/BC+DROPPENDANT
CLEAR GLASS, EDISON SCREW	Black	SW-120/B/CL/ES+DROPPENDANT
	White	SW-120/W/CL/ES+DROPPENDANT
	Antique Bronze	SW-120/BRONZE/CL/ES+DROPPENDANT
	Industrial Aluminium	SW-120/S/CL/ES+DROPPENDANT
	Gloss Grey	SW-120/G/CL/ES+DROPPENDANT
FROSTED GLASS, BAYONET CAP	Black	SW-120/B/FG/BC+DROPPENDANT
	White	SW-120/W/FG/BC+DROPPENDANT
	Antique Bronze	SW-120/BRONZE/FG/BC+DROPPENDANT
	Industrial Aluminium	SW-120/S/FG/BC+DROPPENDANT
	Gloss Grey	SW-120/G/FG/BC+DROPPENDANT
FROSTED GLASS, EDISON SCREW	Black	SW-120/B/FG/ES+DROPPENDANT
	White	SW-120/W/FG/ES+DROPPENDANT
	Antique Bronze	SW-120/BRONZE/FG/ES+DROPPENDANT
	Industrial Aluminium	SW-120/S/FG/ES+DROPPENDANT
	Gloss Grey	SW-120/G/FG/ES+DROPPENDANT



CONTACT OUR SALES TEAM DIRECTLY IF YOU WOULD LIKE TO USE ANY VARIATIONS OF THE SW-120 DROP PENDANT OUTSIDE AND WE CAN PROVIDE A WEATHER RESISTANT VERSION.

9. SW-120 Drop Pendant, Black



9.

SW-120 CHAIN PENDANT

Standard, Indoor Use

New to the SW family, the SW-120 chain pendant light can be hung individually, or in a trio forming an industrial style centerpiece above kitchen islands, or in high hallways, or stately stairwells. Industrial chic that's truly unique!



3. SW-120 Chain Pendant, White

4. SW-120 Chain Pendant, Black

3.



4.

1

3-CORE CORD WITH CHAIN

The heavy-duty fabric pendant cord can be wired directly into your ceiling fixture, while the chain takes the weight of the fitting.

2

20MM CHAIN HOOK

The cast aluminium chain hook screwed into the top of the casing takes the weight of fitting through the hanging chain.

3

FLUTED FINS

The iconic fluted fins on the light casing add strength and protection to the SW-120 with elegance.

4

DOMED SCREW MOUNTS

Three equally spaced mounting points allow modular accessories to be fixed to the SW-120 to adapt its look or extend its functionality.

5

PORCELAIN LAMP HOLDER

Your SW-120 can be supplied with a Bayonet Cap or Edison Screw lamp holder to fit an E27 or B22 bulb.

6

WELLGLASS DIFFUSER

Each SW-120 comes with a thick, hand pressed and blown Wellglass diffuser that gently diffuses the light emitted. Available in Clear or Frosted glass.



5.

FALL IN LOVE AT FIRST LIGHT

Iconic and pendantly brilliant see why one or more of our J&G Coughtrie SW-120 Chain Pendants will add industrial chic, that's truly unique.



6.

6. SW-120 Chain Pendant, Gloss Grey



7.

Cast to Last

Each part of the casing is cast from solid aluminium, fitting together as part of an upgradable modular system.

7. SW-120 Chain Pendant, Antique Bronze



8.

Pendantly Brilliant

The toughened black fabric cable is intertwined with a black chain enabling the SW-120 Chain Pendant to be hung low for an intimate atmosphere at home or in a commercial setting, and at staggered heights when varied illumination is desired.

8. SW-120 Chain Pendant, Black

FINISHED TO YOUR FANCY



Gloss Grey



Black



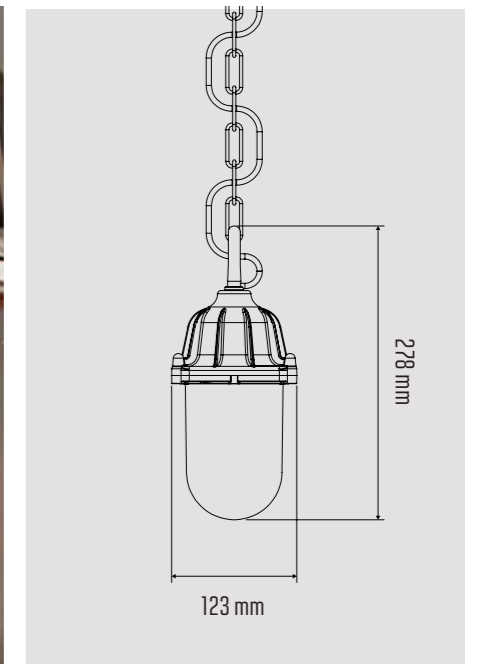
Antique Bronze



White



Industrial Aluminium



Any RAL Colour of Choice

Colour

The SW-120 Chain Pendant can be finished with several different options, to suit your flights of fancy, from powder-coated paint in a range of colours, to an industrial aluminium finish which simply has a clear, protective lacquer applied to achieve that raw, manufactured industrial look,

creating an unique and distinct finish each time. With our bespoke finishing service, you'll also be able to specify a unique RAL colour, for any powder coating.

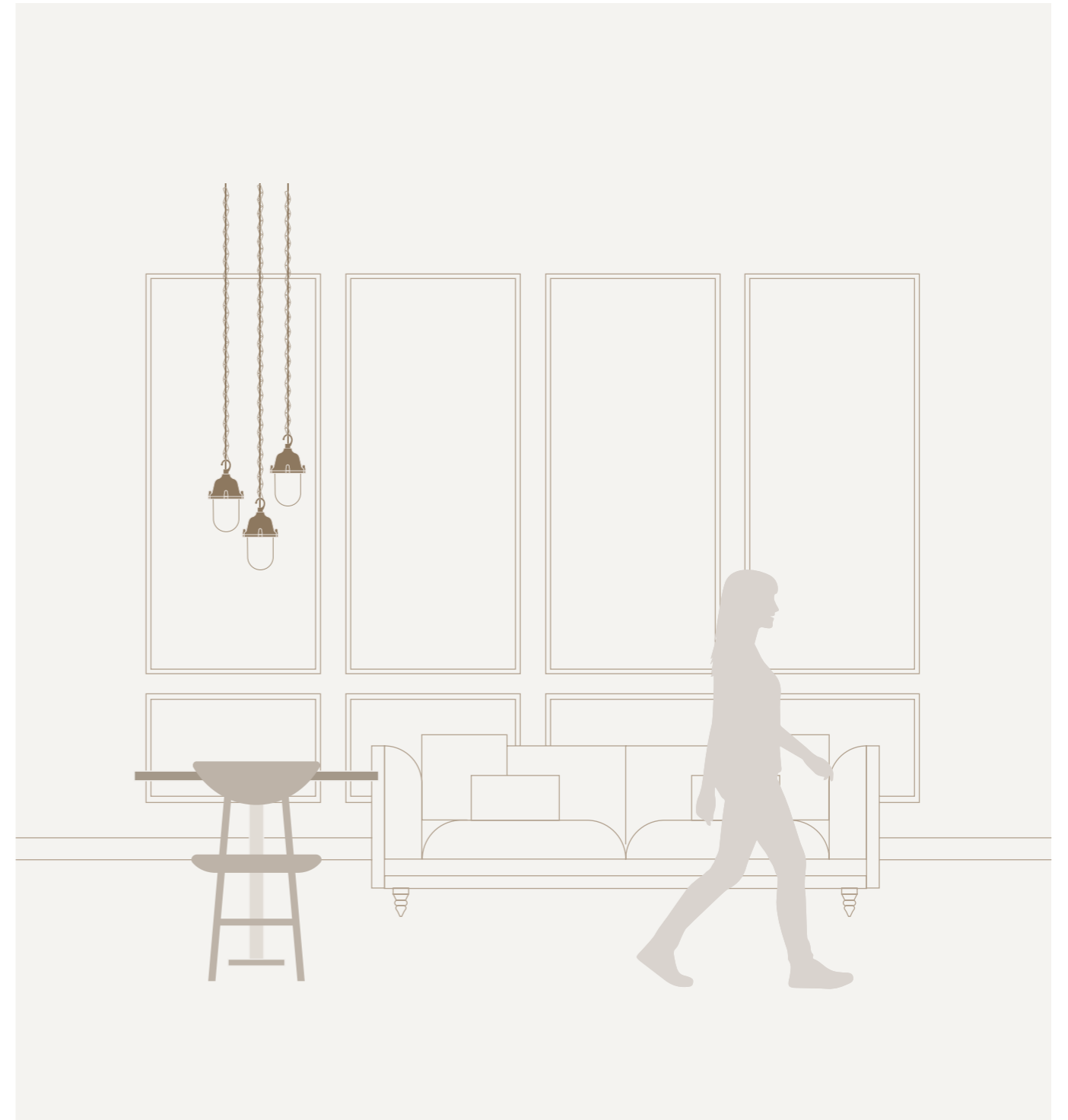
Customise

Our SW-120 Chain Pendant can be specified with Clear or Frosted Wellglass Diffuser and Edison Screw or Bayonet Cap lamp holder. Optionally the Pendant can be provided with Reflector or Cage if desired. The light is supplied with a simple 65mm OD Ceiling Hook Plate, with Industrial Aluminium finish as standard.



STUNNING STAIRWELLS

Group several SW-120s together over a stairwell for a stunning hallway centerpiece.



DISHY DINING

Hang a trio of SW-120s together for a romantic and atmospheric dining setting.

80 YEARS OF SUSTAINABILITY



BUILT TO LAST.

Our lights are tough cookies, built to last and suitable for even the most extreme applications (or even a Hollywood set!)



LOCAL SUPPLIERS.

We have a long-standing policy of using suppliers and manufacturing within a 40 miles radius, keeping it local is keeping it sustainable.



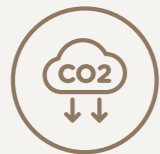
DESIGNED TO BE REPAIRED.

Our lights are designed to disassemble easily for repair or upgrade in the future as technology continues to improve.



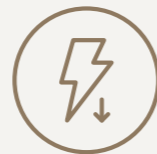
SUSTAINABLE PACKAGING

Each light is lovingly wrapped in recycled paper padding shipped in recycled cardboard packaging.



LOW CARBON MATERIALS

Where possible, we make our parts from low carbon materials that are recycled or can be recycled at end of life.



LOW ENERGY CONSUMPTION

As lighting technology evolves, so do our lights. Now, we use low energy LED bulbs to minimise energy consumption.

PRODUCT INFORMATION

Weight	1500 grams
IP Rating	Suitable for inside use. Dust tight.
Product Dimensions	Light fitting: Diameter 120mm; Length: 278mm. Cord & Chain Length: 1000mm.
Materials	Cast Aluminium Casing; Formed Aluminium Tube Swan Neck; Pressed And Blown Glass Diffuser; TPU Gasket; Steel Screws; Porcelain Lamp Holder; Powder Coated Paint; Fabric Coated Power Cord; Steel Linked Chain.

ELECTRICAL CHARACTERISTICS

Power	Depends on bulb
Voltage	230V
Current	Depends on bulb

LUMINAIRE CHARACTERISTICS

Bulb Type	Edison Screw (E27) / Bayonet Cap (B22)
-----------	--

BE INSPIRED FOR YOUR NEXT PROJECT.
VISIT OUR SOCIAL MEDIA CHANNELS!



@JG.COUGHTRIE

SW-120 CHAIN PENDANT

VARIATION	COLOUR	PRODUCT CODE
CLEAR GLASS, BAYONET CAP	Black	SW-120/B/CL/BC+CHAINPENDANT
	White	SW-120/W/CL/BC+CHAINPENDANT
	Antique Bronze	SW-120/BRONZE/CL/BC+CHAINPENDANT
	Industrial Aluminium	SW-120/S/CL/BC+CHAINPENDANT
	Gloss Grey	SW-120/G/CL/BC+CHAINPENDANT
CLEAR GLASS, EDISON SCREW	Black	SW-120/B/CL/ES+CHAINPENDANT
	White	SW-120/W/CL/ES+CHAINPENDANT
	Antique Bronze	SW-120/BRONZE/CL/ES+CHAINPENDANT
	Industrial Aluminium	SW-120/S/CL/ES+CHAINPENDANT
	Gloss Grey	SW-120/G/CL/ES+CHAINPENDANT
CLEAR GLASS, EDISON SCREW	Black	SW-120/B/FG/BC+CHAINPENDANT
	White	SW-120/W/FG/BC+CHAINPENDANT
	Antique Bronze	SW-120/BRONZE/FG/BC+CHAINPENDANT
	Industrial Aluminium	SW-120/S/FG/BC+CHAINPENDANT
	Gloss Grey	SW-120/G/FG/BC+CHAINPENDANT
FROSTED GLASS, EDISON SCREW	Black	SW-120/B/FG/ES+CHAINPENDANT
	White	SW-120/W/FG/ES+CHAINPENDANT
	Antique Bronze	SW-120/BRONZE/FG/ES+CHAINPENDANT
	Industrial Aluminium	SW-120/S/FG/ES+CHAINPENDANT
	Gloss Grey	SW-120/G/FG/ES+CHAINPENDANT

9. SW-120 Chain Pendant, Black

J&G COUGHTRIE



9.



COLLECTION 6:
PLUG-IN LIGHTS

- 01 SW-120 PLUG-IN WALL HANGING PENDANT, CLEAR**
- 02 SW-120 PLUG-IN WALL HANGING PENDANT, FROSTED**
- 03 SY-6 COMPACT OVAL FLUORESCENT TABLE BULKHEAD, CLEAR**

SW-120 PLUG-IN WALL HANGING PENDANT

Clear, Indoor Use Only

Plug n' pendant. Hang our classic SW-120 pendant from its beautiful, knurled knob, in just minutes without an electrician. Pair-up for perfect bedside lighting or go solo for soft wall lighting just about anywhere.



3. SW-120 Plug-In Wall Hanging Pendant, Industrial Aluminium

4. SW-120 Plug-In Wall Hanging Pendant, White

3.



4.

1

KNURLED HANGING KNOB

Precision machined from solid aluminium and finished with a beautiful, knurled pattern; the Hanging Knob fixes quickly to the wall with 2 screws wherever you want light. Pull the cord through and wind up or down to adjust your lighting height.

2

KNURLED CABLE TIDY

Keep your cable coralled with our custom Cable Tidy. It comes anodised to match the hanging knob and fixes to any surface with a single screw.

3

ROCKER SWITCH

A simple on/off rocker puts light at your fingertips.

4

OVERMOULDED PLUG

The fabric flex, rocker switch and plug are black as standard for all lights, apart from the white light which comes all in white.

5

FLUTTED FINS

The iconic fluted fins on the light casing add strength and protection to the SW-120 with elegance.

6

WELLGLASS DIFFUSER

Each SW-120 comes with a thick hand pressed and blown Wellglass diffuser that gently diffuses the light emitted and protects the bulb inside. Available in clear or frosted glass.

5. SW-120 Plug-in Wall Hanging Pendant, Industrial Aluminium



5.

PLUG AND PLAY PERFECTION

Iconic and flexible - see why the SW-120 Plug-In Wall Hanging Pendant brings soft wall lighting to just about anywhere.



6.

6. SW-120 Plug-In Wall Hanging Pendant, Gloss Grey

7. Knurled Hanging Knob, Industrial Aluminium

8. Knurled Cable Tidy, Industrial Aluminium



7.

Hang Tough Anywhere

Welcome to the world of flexible wall lighting! Simply screw the precision machined Knurled Hanging Knob into any wall and plug into a standard 230V mains power socket to bring the light. Pull the cord through and wind up or down to adjust your lighting height.



8.

Keeps Cables Coralled

Keep your cable coralled with our custom cable tidy. It comes anodised to match the hanging knob and fixes to any surface with a single screw.

PAINTENTLY PERFECT



Gloss Grey



Black



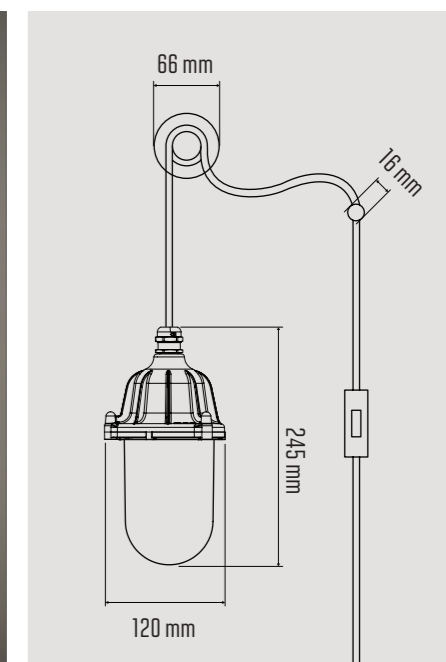
Antique Bronze



White



Industrial Aluminium



Any RAL Colour of Choice

Colour

The SW-120 Plug-In Wall Hanging Pendant comes in a range of powder-coated paint colours, each paired with an anodised Knurled Hanging Knob and anodised Knurled Cable Tidy. Please check the colour pairings before ordering. All lights come with a black cord and plug by default apart from the White light, which comes in white.

With our bespoke finishing service, you'll also be able to specify a unique RAL colour for powder coating to match any colour scheme in your home.

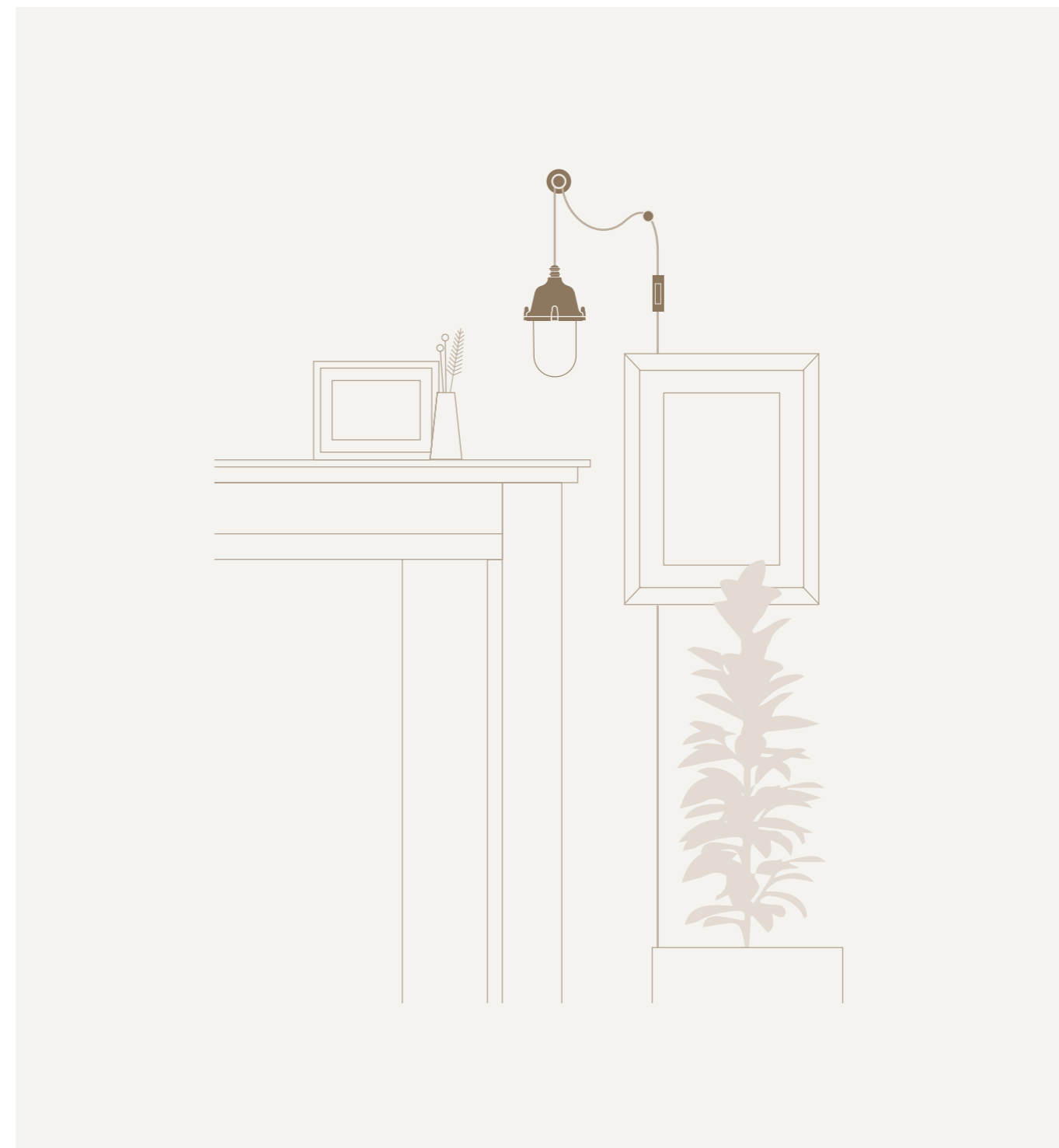
Customise

Specify Edison Screw or Bayonet Cap lamp holder and contact our sales team if you would like to add a Cage to the light to protect against any unpredictable knocks.



READING ROYALTY

Hang the SW-120 by your favourite armchair to create a cosy place for reading or relaxing with your hounds.



ILLUMINARTÉ

Put your favourite art in the picture with their own special SW-120 lighting.

80 YEARS OF SUSTAINABILITY



BUILT TO LAST.

Our lights are tough cookies, built to last and suitable for even the most extreme applications (or even a Hollywood set!)



LOCAL SUPPLIERS.

We have a long-standing policy of using suppliers and manufacturing within a 40 miles radius, keeping it local is keeping it sustainable.



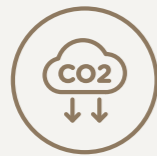
DESIGNED TO BE REPAIRED.

Our lights are designed to disassemble easily for repair or upgrade in the future as technology continues to improve.



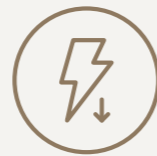
SUSTAINABLE PACKAGING.

Each light is lovingly wrapped in recycled paper padding shipped in recycled cardboard packaging.



LOW CARBON MATERIALS.

Where possible, we make our parts from low carbon materials that are recycled or can be recycled at end of life.



LOW ENERGY CONSUMPTION.

As lighting technology evolves, so do our lights. Now, we use low energy LED bulbs to minimise energy consumption.

PRODUCT INFORMATION

Weight	1500 grams
IP Rating	Suitable for inside use. Dust tight.
Product Dimensions	Light fitting: Diameter: 120mm; Length: 240mm Knob: Length: 115mm; Diameter: 66mm Total drop height from plug to bottom of fitting: 2600mm Distance from switch to light fitting: 750mm.
Materials	Cast aluminium Casing, Pressed and Blown Glass Diffuser, Nitrile Rubber Gasket, Stainless Steel Screws, Porcelain Lamp Holder, M20 Cable Gland, Fabric Coated Power Cord, Powder Coated Paint Finish, Anodised Machined Aluminium Knob, Laser Cut Steel Disk

ELECTRICAL CHARACTERISTICS

Power	Depends on bulb
Voltage	230V
Current	Depends on bulb

LUMINAIRE CHARACTERISTICS

Bulb Type	Edison Screw (E27) / Bayonet Cap (B22)
-----------	--

BE INSPIRED FOR YOUR NEXT PROJECT.
VISIT OUR SOCIAL MEDIA CHANNELS!



@JG.COUGHTRIE

VARIATION	COLOUR	PRODUCT CODE
CLEAR GLASS, BAYONET CAP	Black	SW-120/B/CL/BC+PLUGINPENDANT
	White	SW-120/W/CL/BC+PLUGINPENDANT
	Antique Bronze	SW-120/BRONZE/CL/BC+PLUGINPENDANT
	Industrial Aluminium	SW-120/S/CL/BC+PLUGINPENDANT
	Gloss Grey	SW-120/G/CL/BC+PLUGINPENDANT
CLEAR GLASS, EDISON SCREW	Black	SW-120/B/CL/ES+PLUGINPENDANT
	White	SW-120/W/CL/ES+PLUGINPENDANT
	Antique Bronze	SW-120/BRONZE/CL/ES+PLUGINPENDANT
	Industrial Aluminium	SW-120/S/CL/ES+PLUGINPENDANT
	Gloss Grey	SW-120/G/CL/ES+PLUGINPENDANT



9. SW-120 Plug-In Wall Hanging Pendant, Antique Bronze

9.

SW-120 PLUG-IN WALL HANGING PENDANT

Frosted, Indoor Use Only

Plug n' pendant. Hang our classic SW-120 pendant from its beautiful, knurled knob, in just minutes without an electrician. Pair-up for perfect bedside lighting or go solo for soft wall lighting just about anywhere.



3. SW-120 Plug-In Wall Hanging Pendant, Antique Bronze

4. SW-120 Plug-In Wall Hanging Pendant, White

3.



4.

1

KNURLED HANGING KNOB

Precision machined from solid aluminium and finished with a beautiful, knurled pattern; the Hanging Knob fixes quickly to the wall with 2 screws wherever you want light. Pull the cord through and wind up or down to adjust your lighting height.

2

KNURLED CABLE TIDY

Keep your cable corralled with our custom Cable Tidy. It comes anodised to match the hanging knob and fixes to any surface with a single screw.

3

ROCKER SWITCH

A simple on/off rocker puts light at your fingertips.

4

OVERMOULDED PLUG

The fabric flex, rocker switch and plug are black as standard for all lights, apart from the white light which comes all in white.

5

FLUTTED FINS

The iconic fluted fins on the light casing add strength and protection to the SW-120 with elegance.

6

WELLGLASS DIFFUSER

Each SW-120 comes with a thick hand pressed and blown frosted diffuser that gently diffuses the light emitted and protects the bulb inside.

5. SW-120 Plug-In Wall Hanging Pendant, Antique Bronze



5.

PLUG AND PLAY PERFECTION

Iconic and flexible - see why the SW-120 Plug-In Wall Hanging Pendant brings soft wall lighting to just about anywhere.



6.

6. SW-120 Plug-In Wall Hanging Pendant, White

7. Knurled Hanging Knob, Industrial Aluminium

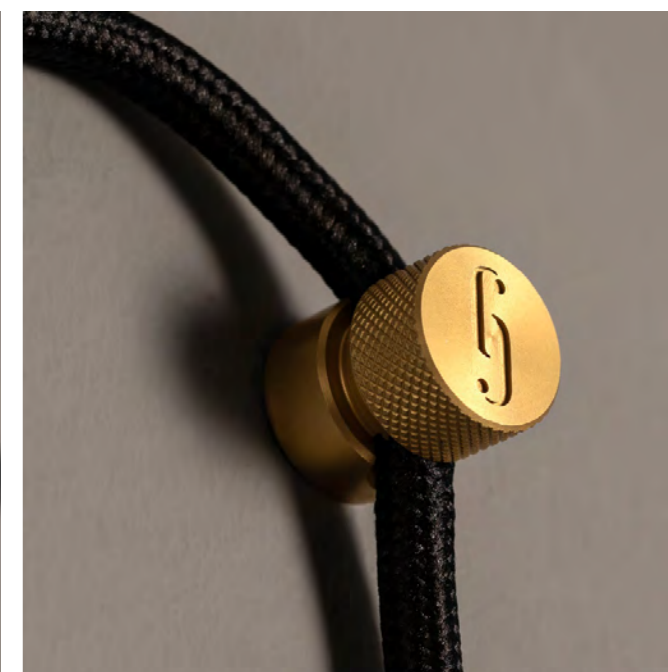
8. Knurled Cable Tidy, Bronze



7.

Hang Tough Anywhere

Welcome to the world of flexible wall lighting! Simply screw the precision machined Knurled Hanging Knob into any wall and plug into a standard 230V mains power socket to bring the light. Pull the cord through and wind up or down to adjust your lighting height.



8.

Keeps Cables Coralled

Keep your cable corralled with our custom cable tidy. It comes anodised to match the hanging knob and fixes to any surface with a single screw.

PAINTENTLY PERFECT



Gloss Grey



Black



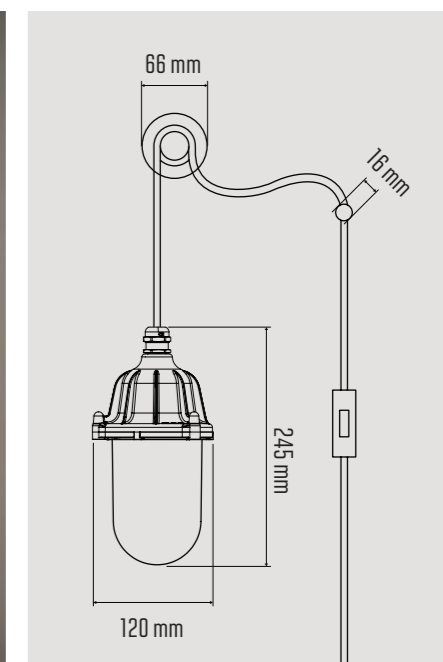
Antique Bronze



White



Industrial Aluminium



Any RAL Colour of Choice

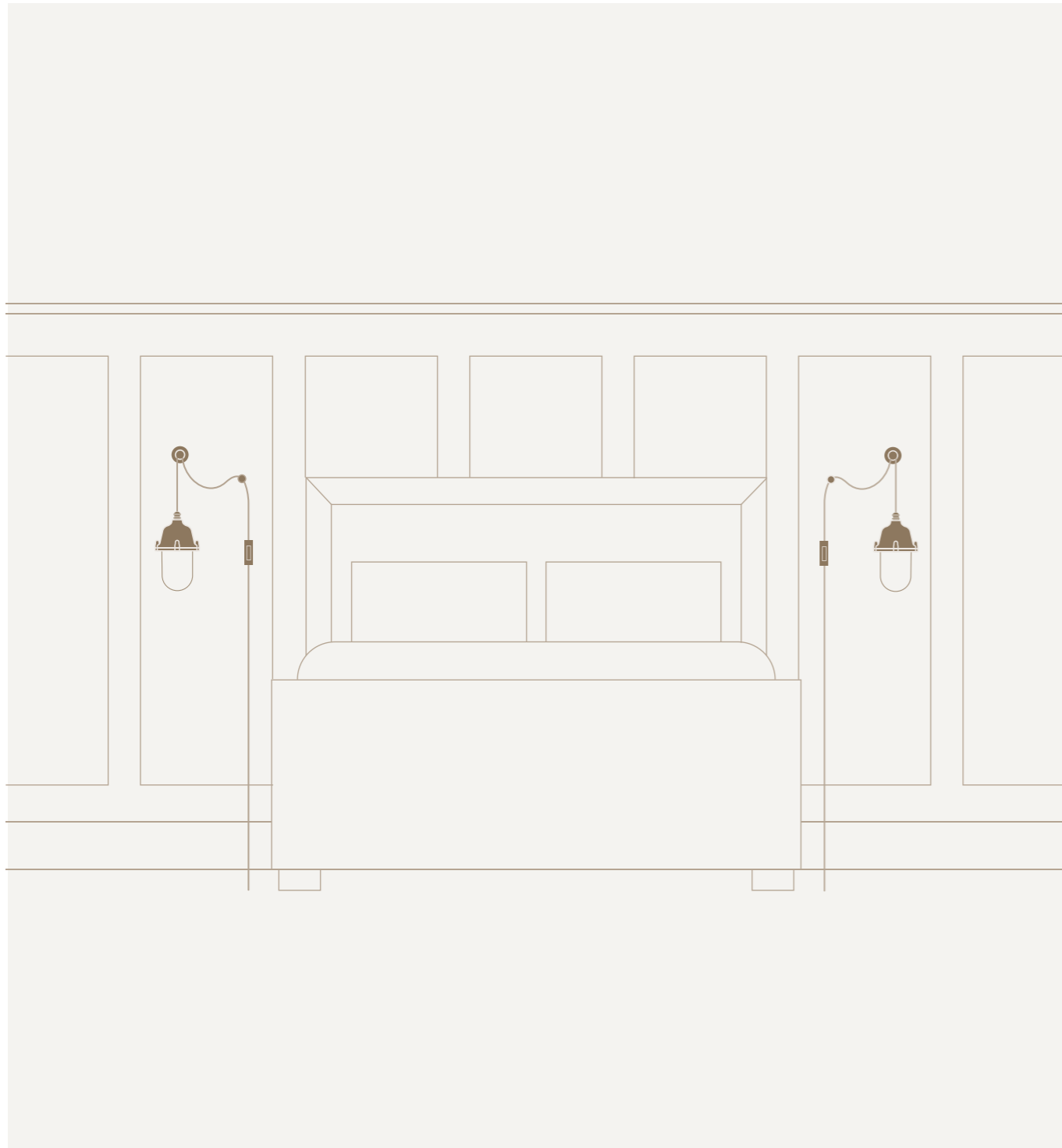
Colour

The SW-120 Plug-In Wall Hanging Pendant comes in a range of powder-coated paint colours, each paired with an anodised Knurled Hanging Knob and anodised Knurled Cable Tidy. Please check the colour pairings before ordering. All lights come with a black cord and plug by default apart from the White light, which comes in white.

With our bespoke finishing service, you'll also be able to specify a unique RAL colour for powder coating to match any colour scheme in your home.

Customise

Specify Edison Screw or Bayonet Cap lamp holder and contact our sales team if you would like to add a Cage to the light to protect against any unpredictable knocks.



BEDTIME BLISS

Pair up two SW-120 lights for some softly lit bedtime reading.



BRILLIANT BOOKNOOKS

Hang an SW-120 light on any wall to create a cozy reading corner.

80 YEARS OF SUSTAINABILITY



BUILT TO LAST.

Our lights are tough cookies, built to last and suitable for even the most extreme applications (or even a Hollywood set!)



LOCAL SUPPLIERS.

We have a long-standing policy of using suppliers and manufacturing within a 40 miles radius, keeping it local is keeping it sustainable.



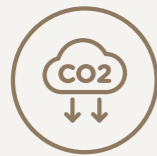
DESIGNED TO BE REPAIRED.

Our lights are designed to disassemble easily for repair or upgrade in the future as technology continues to improve.



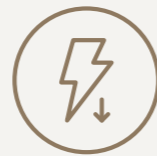
SUSTAINABLE PACKAGING.

Each light is lovingly wrapped in recycled paper padding shipped in recycled cardboard packaging.



LOW CARBON MATERIALS.

Where possible, we make our parts from low carbon materials that are recycled or can be recycled at end of life.



LOW ENERGY CONSUMPTION.

As lighting technology evolves, so do our lights. Now, we use low energy LED bulbs to minimise energy consumption.

PRODUCT INFORMATION

Weight	1500 grams
IP Rating	Suitable for inside use. Dust tight.
Product Dimensions	Light fitting: Diameter: 120mm; Length: 240mm Knob: Length: 115mm; Diameter: 66mm Total drop height from plug to bottom of fitting: 2600mm Distance from switch to light fitting: 750mm.
Materials	Cast aluminium Casing, Pressed and Blown Glass Diffuser, Nitrile Rubber Gasket, Stainless Steel Screws, Porcelain Lamp Holder, M20 Cable Gland, Fabric Coated Power Cord, Powder Coated Paint Finish, Anodised Machined Aluminium Knob, Laser Cut Steel Disk

ELECTRICAL CHARACTERISTICS

Power	Depends on bulb
Voltage	230V
Current	Depends on bulb

LUMINAIRE CHARACTERISTICS

Bulb Type	Edison Screw (E27) / Bayonet Cap (B22)
-----------	--

BE INSPIRED FOR YOUR NEXT PROJECT.
VISIT OUR SOCIAL MEDIA CHANNELS!



@JG.COUGHTRIE

VARIATION	COLOUR	PRODUCT CODE
FROSTED GLASS, BAYONET CAP	Black	SW-120/B/FG/BC+PLUGINPENDANT
	White	SW-120/W/FG/BC+PLUGINPENDANT
	Antique Bronze	SW-120/BRONZE/FG/BC+PLUGINPENDANT
	Industrial Aluminium	SW-120/S/FG/BC+PLUGINPENDANT
	Gloss Grey	SW-120/G/FG/BC+PLUGINPENDANT
FROSTED GLASS, EDISON SCREW	Black	SW-120/B/FG/ES+PLUGINPENDANT
	White	SW-120/W/FG/ES+PLUGINPENDANT
	Antique Bronze	SW-120/BRONZE/FG/ES+PLUGINPENDANT
	Industrial Aluminium	SW-120/S/FG/ES+PLUGINPENDANT
	Gloss Grey	SW-120/G/FG/ES+PLUGINPENDANT



9. SW-120 Plug-In Wall Hanging Pendant, Industrial Aluminium

SY-6 COMPACT OVAL FLUORESCENT TABLE BULKHEAD

Standard, Indoor Use, Clear

Open new possibilities with our corded SY-6 Bulkhead. Plug in and flood soft light across bookcases, bedsides, or artwork. Beautiful in a family living room and robust enough for any hotel bedroom.



3. SY-6 Compact Oval Fluorescent Table Bulkhead, Rocker Switch Detail

4. SY-6 Compact Oval Fluorescent Table Bulkhead, Clear Glass

3.



4.

1

RUGGED PLUG & CORD

The SY-6 lamp features an over-moulded plug and 2.4m cord with on-off rocker switch that's compatible with any standard 230V power socket, easy peasy!

2

SOLID BRASS CABLE GLAND

A solid brass cable gland secures and seals the power cord within the casing of the lamp, preventing accidental pull-out by over-enthusiastic tail-waggers, or inquisitive little fingers accessing the inside of the lamp casing.

3

HAND PRESSED & BLOWN GLASS

The lamp's thick, hand-blown glass diffuser has distinctive decorative ribs, and is marked with the iconic Coughtrie brand mark. Glass with class.

4

TIMELESS STYLING

The soft silicone and felt feet on the underside of our iconic Bulkhead lamp protect your furniture from scratches - from fine mahogany, to Ikea flat pack.

5

CAST ALUMINIUM CASING

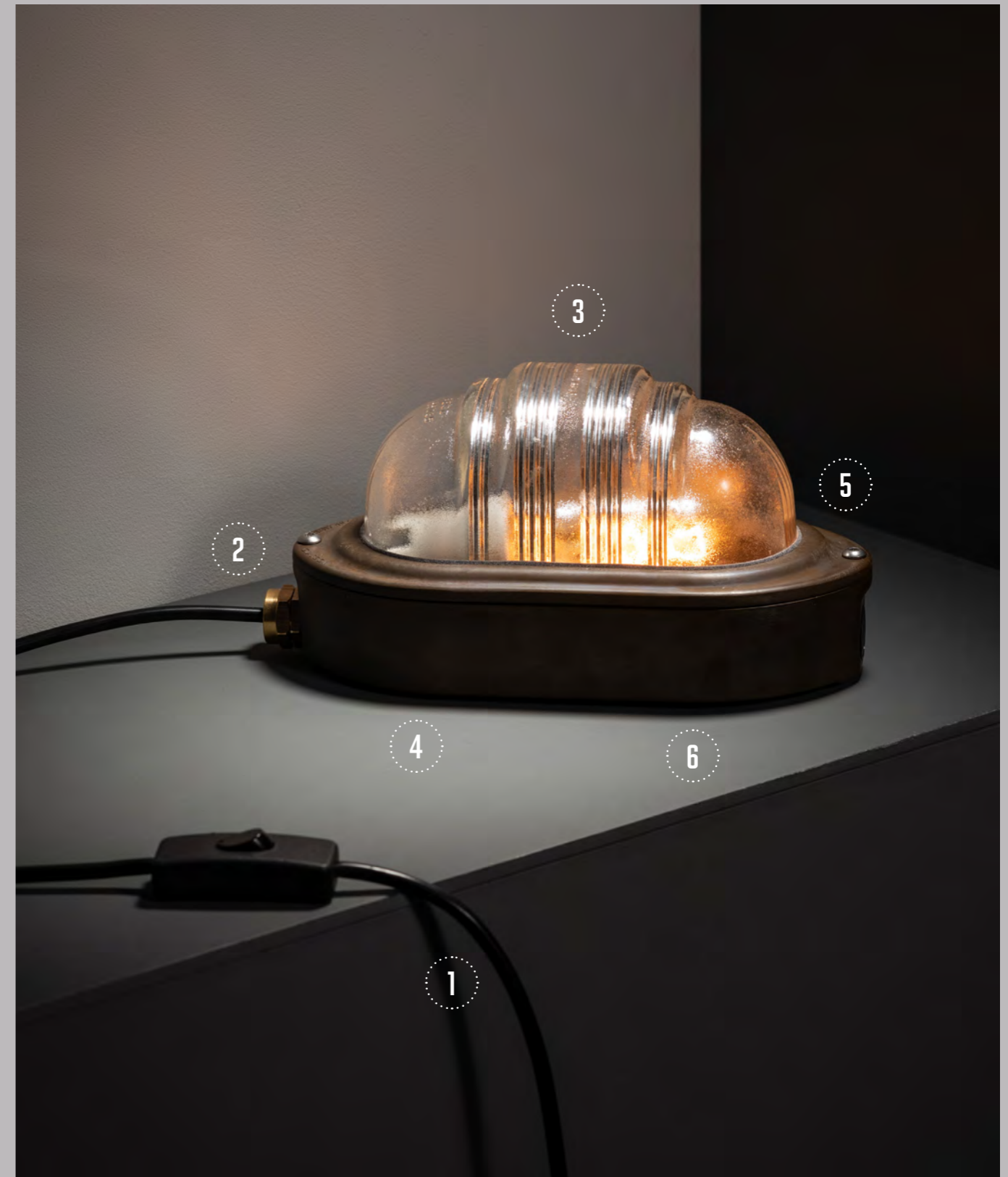
Hand-made with corrosion resistant aluminium casing in Glasgow, our SY-6 lamp is built to last. We've been doing this for over eight decades, and we know a thing or two about combining elegance with robust construction.

6

PORCELAIN LAMP HOLDER

Your SY-6 can be specified with a Bayonet Cap or Edison Screw lamp holder. Fit with Smart Bulb to connect the lamp to your smart home controls.

5. SY-6 Compact
Oval Fluorescent
Table Bulkhead,
Clear Glass



5.

FINISHED TO YOUR FANCY



Gloss Grey



Black



Antique Bronze



White



Industrial Aluminium



Weathered Bronze

Colour

The SY-6 can be finished with a number of different options, to suit your flights of fancy, from powder-coated paint in a range of colours, to an industrial aluminium finish which simply has a clear, protective lacquer applied to achieve that raw, manufactured industrial look, creating an unique and distinct finish each time. Each light can also be anodised with a weathered bronze

finish, for rustic, antique effect. The choice is endless. The choice is also yours. And with our bespoke finishing service, you'll also be able to specify a unique RAL colour, for powder coating.

Customise

Create your ideal SY-6 specification, with Edison Screw or Bayonet Cap lamp holder.



BEDSIDE BULKHEADS

Drift off to sleep after a reading your favourite book under the soft light of a wall mounted SY-6 lamp.



BOOKSHELF BULKHEAD

Bring a soft glow to your books, with an SY-6 lamp tucked neatly onto your bookshelf.

80 YEARS OF SUSTAINABILITY



BUILT TO LAST.

Our lights are tough cookies, built to last and suitable for even the most extreme applications (or even a Hollywood set!)



LOCAL SUPPLIERS.

We have a long-standing policy of using suppliers and manufacturing within a 40 miles radius, keeping it local is keeping it sustainable.



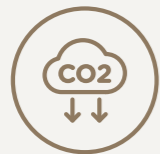
DESIGNED TO BE REPAIRED.

Our lights are designed to disassemble easily for repair or upgrade in the future as technology continues to improve.



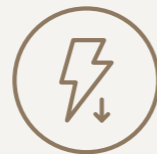
SUSTAINABLE PACKAGING

Each light is lovingly wrapped in recycled paper padding shipped in recycled cardboard packaging.



LOW CARBON MATERIALS

Where possible, we make our parts from low carbon materials that are recycled or can be recycled at end of life.



LOW ENERGY CONSUMPTION

As lighting technology evolves, so do our lights. Now, we use low energy LED bulbs to minimise energy consumption.

PRODUCT INFORMATION

Weight	1000 grams
IP Rating	Suitable for inside use in dry environments. Dust tight.
Product Dimensions	Length: 220mm; Width: 103mm; Depth: 118mm
Materials	Cast Aluminium Casing; Pressed And Blown Glass Diffuser; Sheet Aluminium Gear Tray; TPU Gasket; Silicone Gasket; Steel Screws; CNC Sheet Steel Flanges; Porcelain Lamp Holder; Powder Coated Paint / Aluminium Anodising Finishing.

ELECTRICAL CHARACTERISTICS

Power	Depends on bulb
Voltage	230V
Current	Depends on bulb

LUMINAIRE CHARACTERISTICS

Bulb Type	Edison Screw (E27) / Bayonet Cap (B22)
-----------	--

BE INSPIRED FOR YOUR NEXT PROJECT.
VISIT OUR SOCIAL MEDIA CHANNELS!



@JG.COUGHTRIE

VARIATION	COLOUR	PRODUCT CODE
BAYONET CAP	Weathered Bronze	SY6/WBRONZE/CORD/CL/BC
	Black	SY6/B/CORD/CL/BC
	White	SY6/W/CORD/CL/BC
	Antique Bronze	SY6/BRONZE/CORD/CL/BC
	Industrial Aluminium	SY6/S/CORD/CL/BC
	Gloss Grey	SY6/G/CORD/CL/BC
EDISON SCREW	Weathered Bronze	SY6/WBRONZE/CORD/CL/ES
	Black	SY6/B/CORD/CL/ES
	White	SY6/W/CORD/CL/ES
	Antique Bronze	SY6/BRONZE/CORD/CL/ES
	Industrial Aluminium	SY6/S/CORD/CL/ES
	Gloss Grey	SY6/G/CORD/CL/ES

9. SY-6 Compact
Oval Fluorescent
Table Bulkhead,
Clear Glass



9.



+44 (0) 141 882 3262



J&G COUGHTRIE
69-71 MONTROSE AVENUE
HILLINGTON, GLASGOW, G52 4LA



sales@jgcoughtrie.com